



### 750 Series - Round Barrel Meter

3.5 inch round barrel meter. 5% accuracy.

#### Description:

- DC models use moving magnet technology
- AC models use double vane repulsion technology
- Jeweled bearing
- Polystyrene case with metal scales
- White field with black print
- Age and moisture resistant
- Install in front of panel or behind panel
- Special scales, ranges, and dampening available

The following tables list part numbers for standard ranges. Remove the "z" from the part number to order without zero adjust.

#### DC Milliammeters

Range	Part #
0-1 mA	7336z
0-3 mA	7301z
0-5 mA	7302z
0-10 mA	7303z
0-25 mA	7305z
0-50 mA	7306z
0-100 mA	7307z
0-150 mA	7308z
0-200 mA	7309z
0-300 mA	7310z
0-500 mA	7312z

## DC Ammeters

Range	Part #
0-1 Amps	7201z
0-3 Amps	7202z
0-5 Amps	7203z
0-10 Amps	7205z
0-15 Amps	7206z
0-25 Amps	7207z
0-30 Amps	7209z
0-50 Amps	7208z
20-0-20 Amps	7214z
50-0-50 Amps	7216z

## DC Voltmeters

Range	Part #	Notes
0-3 Volts	7102z	
0-5 Volts	7104z	
0-10 Volts	7107z	
0-15 Volts	7108z	
0-25 Volts	7109z	
0-50 Volts	7122z	
0-100 Volts	7113z	
0-150 Volts	7115z	
0-300 Volts	7117z	Supplied w/ ext. resistor
0-500 Volts	7118z	Supplied w/ ext. resistor

## AC Milliammeters

Range	Part #
0-10 mA	7607z
0-25 mA	7601z
0-50 mA	7602z
0-100 mA	7603z
0-250 mA	7604z
0-500 mA	7605z

## AC Ammeters

Range	Part #	Notes:
0-1 Amps	7501z	
0-5 Amps	7503z	
0-5/0-50 Amps	7503z-50	For use with external CT
0-5/0-100 Amps	7503z-100	For use with external CT
0-5/0-150 Amps	7503z-150	For use with external CT
0-5/0-200 Amps	7503z-200	For use with external CT
0-5/0-250 Amps	7503z-250	For use with external CT
0-5/0-300 Amps	7503z-300	For use with external CT
0-5/0-400 Amps	7503z-400	For use with external CT
0-5/0-600 Amps	7503z-600	For use with external CT
0-10 Amps	7504z	
0-15 Amps	7508z	
0-30 Amps	7505z	
0-50 Amps	7506z	
0-80 Amps	7507z	

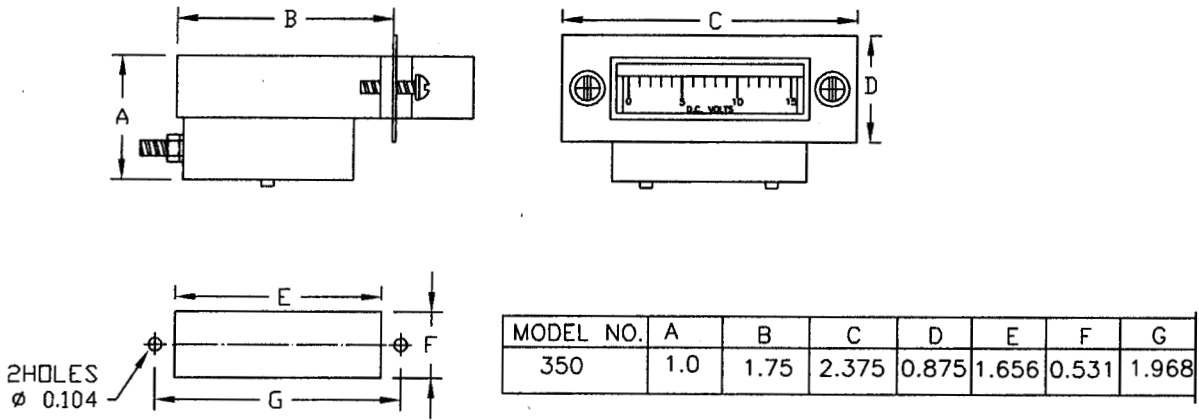
## AC Voltmeters

Range	Part #	Notes
0-10 Volts	7403	
0-15 Volts	7404	
0-25 Volts	7412	
0-50 Volts	7405	
0-150 Volts	7406	
0-300 Volts	7407	Supplied w/ ext. resistor
0-500 Volts	7414	Supplied w/ ext. resistor

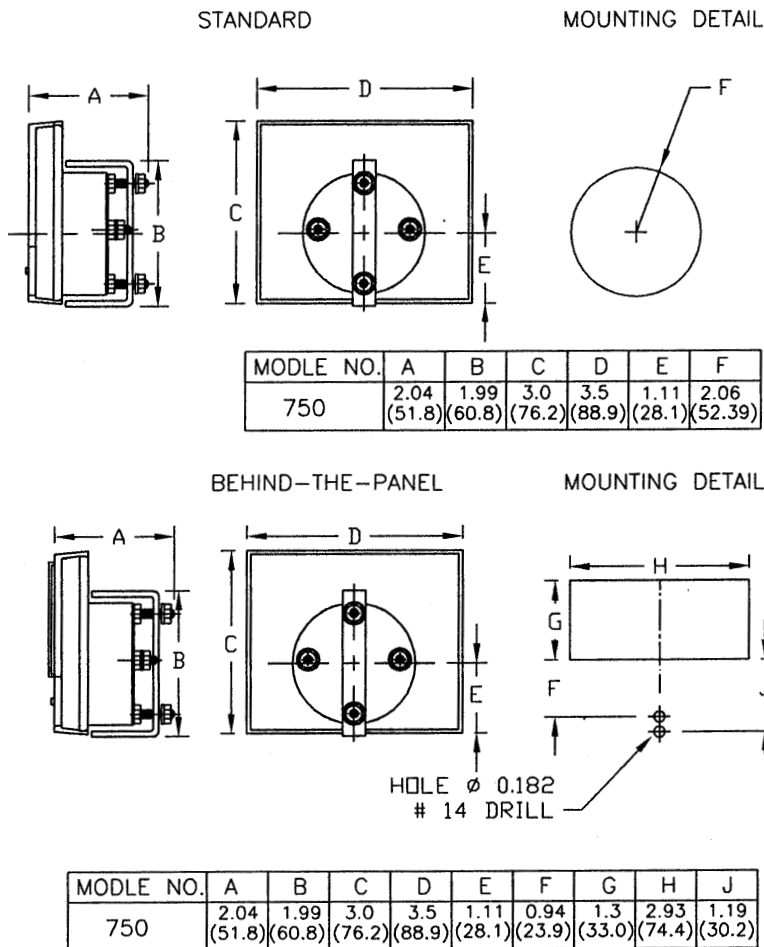
## VU Meters

Range	Part #
-20 to +3 VU	7801

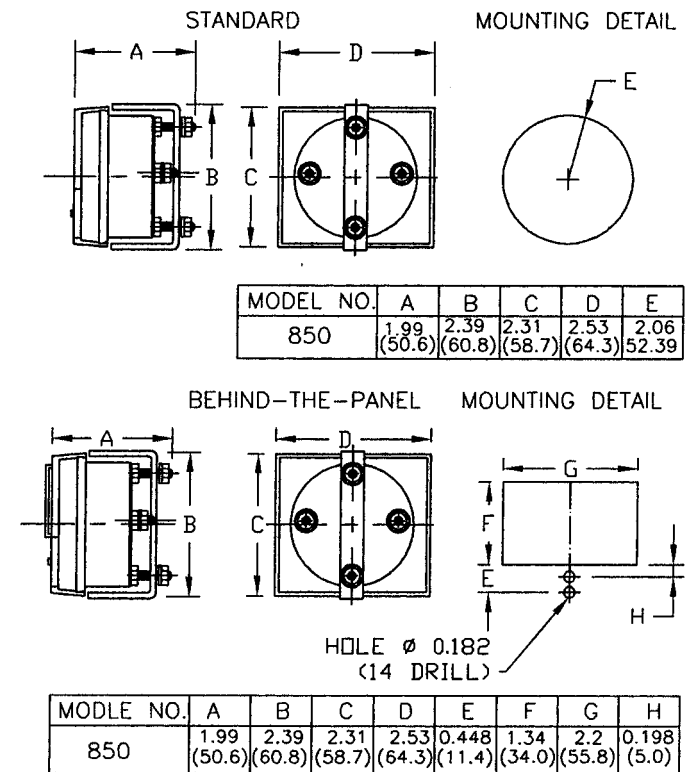
### 350 SERIES

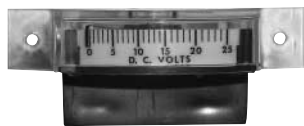


### 750 SERIES



### 850 SERIES





### 1.5 INCH 350 SERIES EDGEWISE METER

**Accuracy:** 5%

**Technology:** DC Models, polarized-vane solenoid or moving magnet AC Models, double-vane repulsion, jeweled bearing

**Description:** 1.5 inch edgewise, Polystyrene cases with metal scales, white field, printed black, age and moisture resistant, install in front or behind panels, special scales, ranges and dampening available



### 3.5 INCH 750 SERIES ROUND BARREL METER

**Accuracy:** 5%

**Technology:** DC Models, polarized-vane solenoid or moving magnet AC Models, double-vane repulsion, jeweled bearing

**Description:** 3.5 inch, Polystyrene cases with metal scales, white field, printed black, age and moisture resistant, install in front or behind panels, special scales, ranges and dampening available



### 2.5 INCH 850 SERIES ROUND BARREL METER

**Accuracy:** 5%

**Technology:** DC Models, polarized-vane solenoid or moving magnet AC Models, double-vane repulsion, jeweled bearing

**Description:** 2.5 inch, Polystyrene cases with metal scales, white field, printed black, age and moisture resistant, install in front or behind panels, special scales, ranges and dampening available

#### DC Milliammeters

RANGE	PART #	RANGE	PART #
0-1 Milli Amps	3300	0-100 Milli Amps	3307
0-3 Milli Amps	3301	0-150 Milli Amps	3308
0-5 Milli Amps	3302	0-200 Milli Amps	3309
0-10 Milli Amps	3303	0-300 Milli Amps	3310
0-25 Milli Amps	3305	0-500 Milli Amps	3312
0-50 Milli Amps	3306		

#### DC Ammeters

RANGE	PART #	RANGE	PART #
0-1 Amps	3201	0-15 Amps	3206
0-3 Amps	3202	10-0-10 Amps	3213
0-5 Amps	3203		
0-10 Amps	3205		

#### DC Voltmeters

RANGE	PART #	RANGE	PART #
0-3 Volts	3102z	0-50 Volts	3122
0-5 Volts	3104z	0-100 Volts	3113z
0-10 Volts	3107z	0-150 Volts	3115z
0-15 Volts	3108z	0-300 Volts	3117z**
0-25 Volts	3109z	0-500 Volts	3118z**

#### AC Voltmeters

RANGE	PART #	RANGE	PART #
0-10 Volts	3403	0-300 Volts	3407**
0-15 Volts	3404	0-25 Volts	3412
0-50 Volts	3405	0-500 Volts	3414**
0-150 Volts	3406		

#### VU Meters

RANGE	PART #
-20 to +3 VU	3801

### OTHER SPECIALTY METERS AVAILABLE:

#### ■ 550 Series



#### DC Milliammeters

RANGE	PART #	RANGE	PART #
0-1 Milli Amps	7336z	0-100 Milli Amps	7307z
0-3 Milli Amps	7301z	0-150 Milli Amps	7308z
0-5 Milli Amps	7302z	0-200 Milli Amps	7309z
0-10 Milli Amps	7303z	0-300 Milli Amps	7310z
0-25 Milli Amps	7305z	0-500 Milli Amps	7312z
0-50 Milli Amps	7306z		

#### DC Ammeters

RANGE	PART #	RANGE	PART #
0-1 Amps	7201z	0-25 Amps	7207z
0-3 Amps	7202z	0-50 Amps	7208z
0-5 Amps	7203z	0-30 Amps	7209z
0-10 Amps	7205z	20-0-20 Amps	7214z
0-15 Amps	7206z	50-0-50 Amps	7216z

#### DC Voltmeters

RANGE	PART #	RANGE	PART #
0-3 Volts	7102z	0-50 Volts	7122z
0-5 Volts	7104z	0-100 Volts	7113z
0-10 Volts	7107z	0-150 Volts	7115z
0-15 Volts	7108z	0-300 Volts	7117z**
0-25 Volts	7109z	0-500 Volts	7118z**

#### AC Milliammeters

RANGE	PART #	RANGE	PART #
0-10 Milliamps	7607z	0-100 Milliamps	7603z
0-25 Milliamps	7601z	0-250 Milliamps	7604z
0-50 Milliamps	7602z	0-500 Milliamps	7605z

#### AC Ammeters

RANGE	PART #	RANGE	PART #
0-1 Amps	7501z	0-10 Amps	7504z
0-5 Amps	7503z	0-30 Amps	7505z
0-5/0-50 Amps*	7503z-50	0-50 Amps	7506z
0-5/0-100 Amps*	7503z-100	0-80 Amps	7507z
0-5/0-150 Amps*	7503z-150	0-15 Amps	7508z
0-5/0-200 Amps*	7503z-200		
0-5/0-250 Amps*	7503z-250		
0-5/0-300 Amps*	7503z-300		
0-5/0-400 Amps*	7503z-400		
0-5/0-600 Amps*	7503z-600		

#### AC Voltmeters

RANGE	PART #	RANGE	PART #
0-10 Volts	7403z	0-300 Volts	7407z**
0-15 Volts	7404z	0-500 Volts	7414z**
0-25 Volts	7412z		
0-50 Volts	7405z		
0-150 Volts	7406z		

#### VU Meters

RANGE	PART #
-20 to +3 VU	7801z

#### DC Milliammeters

RANGE	PART #	RANGE	PART #
0-1 Milli Amps	8336z	0-50 Milli Amps	8306z
0-3 Milli Amps	8301z	0-100 Milli Amps	8307z
0-5 Milli Amps	8302z	0-150 Milli Amps	8308z
0-10 Milli Amps	8303z	0-200 Milli Amps	8309z
0-15 Milli Amps	8304z	0-300 Milli Amps	8310z
0-25 Milli Amps	8305z	0-500 Milli Amps	8312z

#### DC Ammeters

RANGE	PART #	RANGE	PART #
0-1 Amps	8201z	0-25 Amps	8207z
0-3 Amps	8202z	0-50 Amps	8208z
0-5 Amps	8203z	10-0-10 Amps	8213z
0-10 Amps	8205z	20-0-20 Amps	8214z
0-15 Amps	8206z	30-0-30 Amps	8215z
0-20 Amps	8204z	50-0-50 Amps	8216z

#### DC Voltmeters

RANGE	PART #	RANGE	PART #
0-3 Volts	8102z	0-50 Volts	8122z
0-5 Volts	8104z	0-100 Volts	8113z
0-10 Volts	8107z	0-150 Volts	8115z
0-15 Volts	8108z	0-300 Volts	8117z
0-25 Volts	8109z	0-500 Volts	8118z**
0-30 Volts	8120z		

#### AC Milliammeters

RANGE	PART #	RANGE	PART #
0-10 Milliamps	8607z	0-100 Milliamps	8603z
0-25 Milliamps	8601z	0-250 Milliamps	8604z
0-50 Milliamps	8602z	0-500 Milliamps	8605z

#### AC Ammeters

RANGE	PART #	RANGE	PART #
0-1 Amps	8501z	0-5/0-150 Amps*	8503z-150
0-3 Amps	8502z	0-5/0-200 Amps*	8503z-200
0-5 Amps	8503z	0-10 Amps	8504z
0-15 Amps	8508z	0-30 Amps	8505z
0-5/0-30 Amps*	8503z-30	0-50 Amps	8506z
0-5/0-50 Amps*	8503z-50	0-80 Amps	8507z
0-5/0-100 Amps*	8503z-100		

#### AC Voltmeters

RANGE	PART #	RANGE	PART #
0-10 Volts	8403z	0-150 Volts	8406z
0-15 Volts	8404z	0-300 Volts	8407z**
0-25 Volts	8412z	0-500 Volts	8414z**
0-50 Volts	8405z		

#### VU Meters

RANGE	PART #
-20 to +3 VU	8801z

\* REMOVE "Z" SUFFIX FROM PART NUMBER TO ORDER WITHOUT ZERO ADJUST.

\*\* SUPPLIED WITH EXTERNAL RESISTOR

\* FOR USE WITH EXTERNAL CURRENT TRANSFORMER

ADD "BP" TO THE END OF THE PART NUMBER FOR BEHIND PANEL MOUNTING