



[Custom
Molded
Rubber](#)



[Custom
Colors!!](#)

[Home](#)

[About PacTec](#)

[Contact Us](#)

Login

[Click Here to Register](#)

Username

Password

[Forget your login info?](#)

[View Cart \(0\)](#)

[Advanced Search](#)

[Connector Search](#)

News

Sign up for our latest news and new product updates!

Email:

LH75-200

External Dimensions: 5.3 x 7.1 x 2.2 in.

PCB Dimensions: 4.8 x 6.6 x 2.2 in.

Colors: Black
PC Bone

Materials: ABS-94HB
[Material Specs](#)

Components:

- Top and Bottom Covers
- Assembly Screws
- 2 Panels
- 4 Feet



[Custom Colors!!](#)



[Free Samples of
New Products Available!](#)



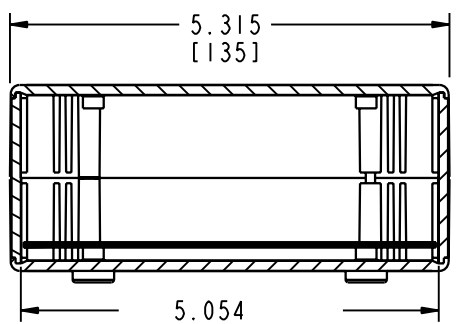
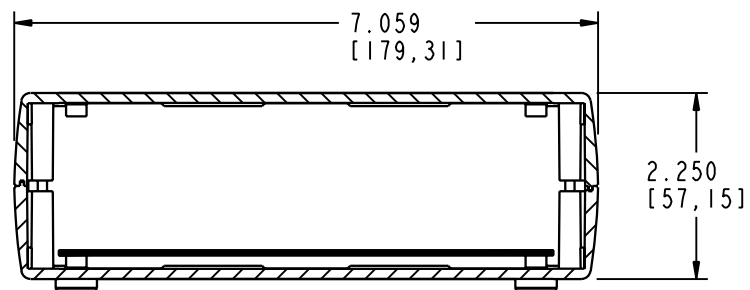
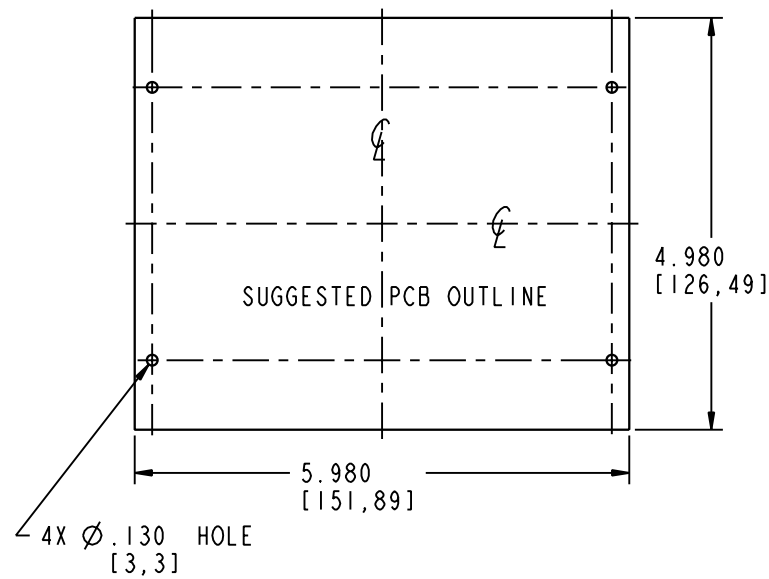
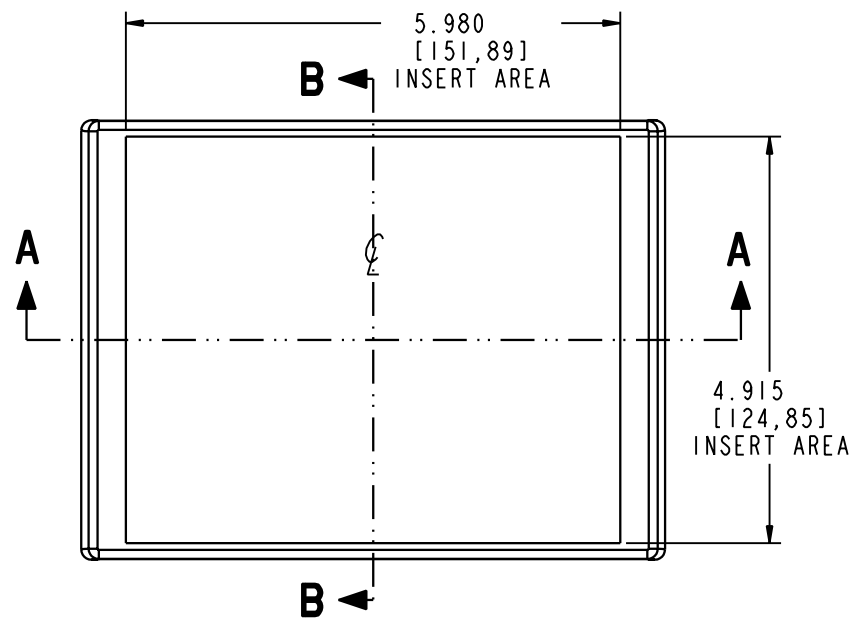
Copyright 2002-2005 © PacTec Divison of LaFrance Corp. All Rights Reserved.

[Privacy
Policy](#)

| [Shipping
Policies](#)

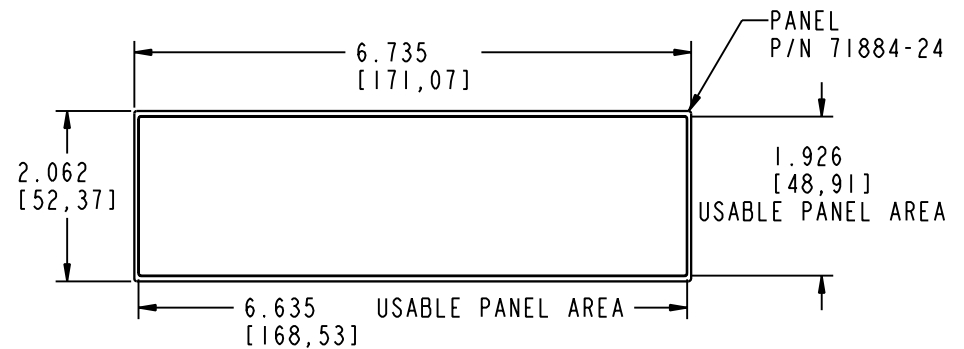
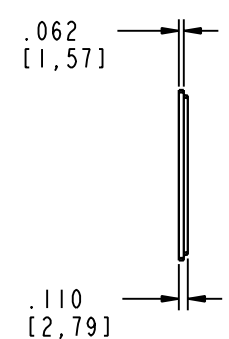
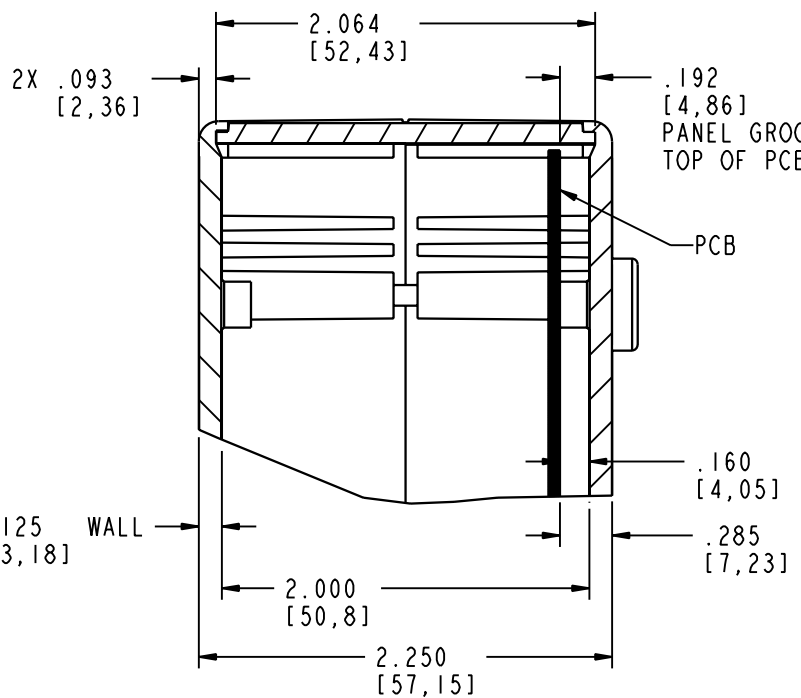
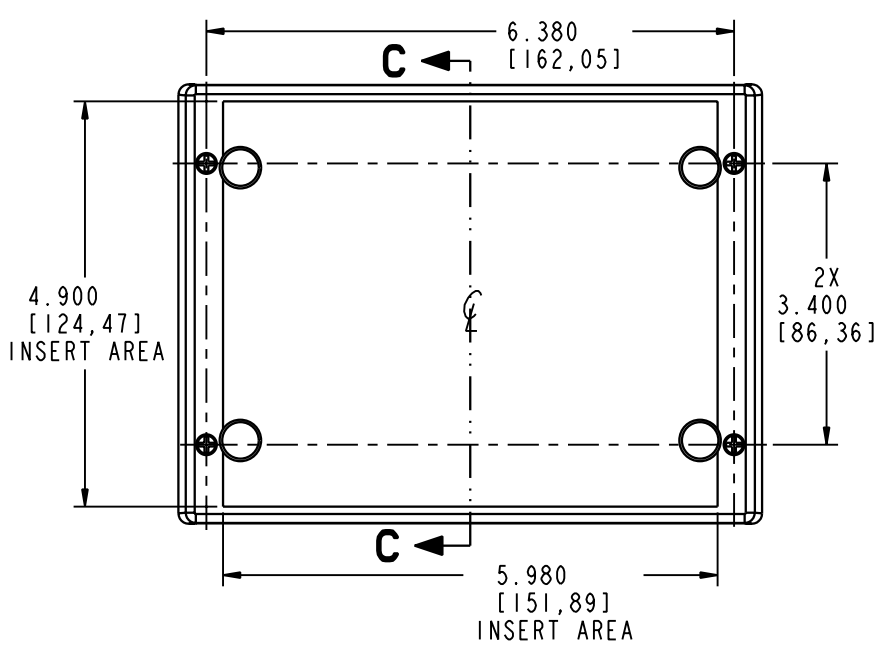
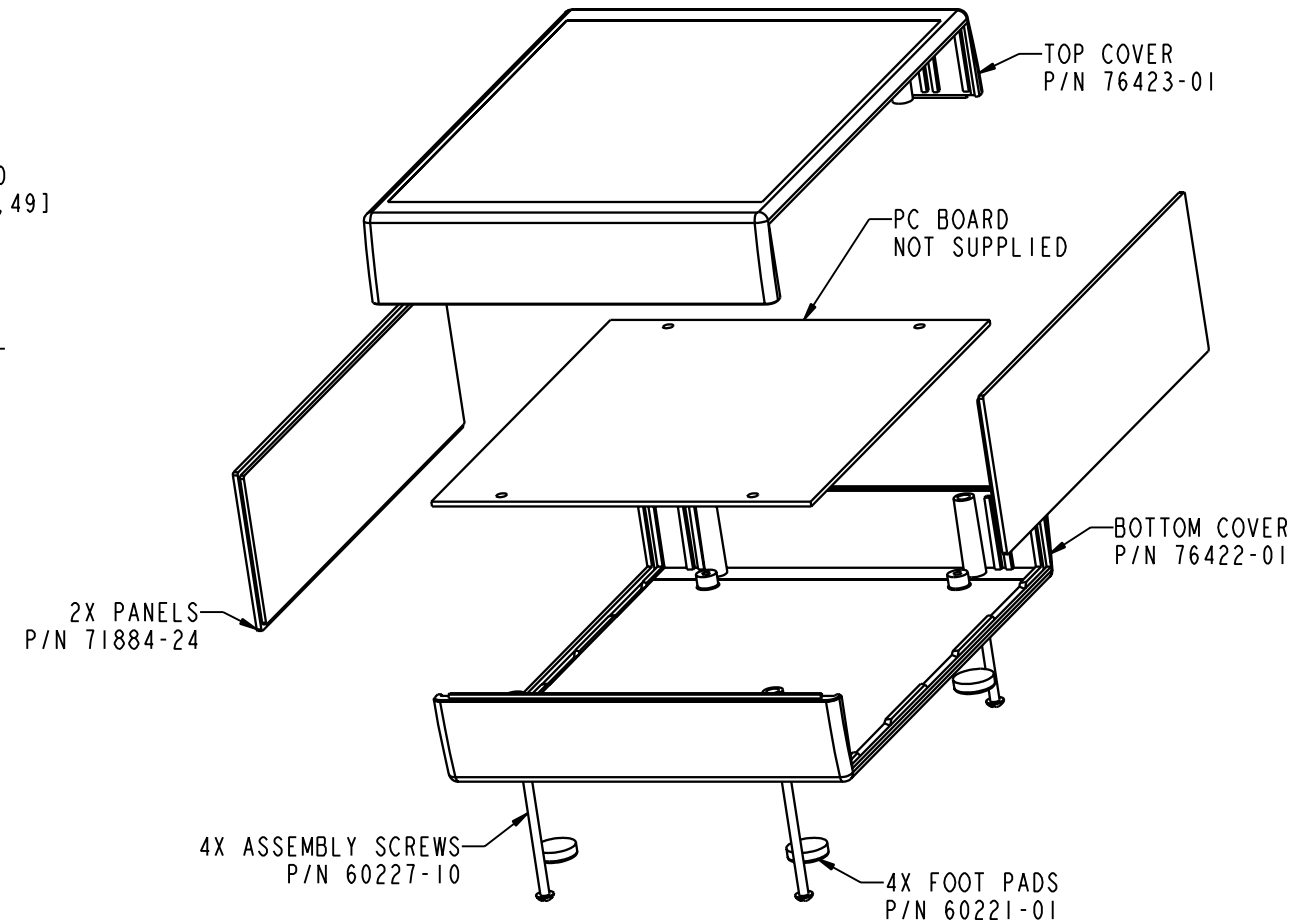
| [Return
Policies](#)

| [Site
Map](#)



SECTION A-A

SECTION B-B



SECTION C-C

PACINTEC[®]
1-610-361-4231

LH75-200

VISIT **PACINTEC**[®]
ON THE WORLD WIDE WEB
www.pactecenclosures.com

| COLOR / MATERIAL CODE | | |
|-----------------------|------|------|
| COLOR | 94HB | 94VO |
| BLACK | 000 | 028 |
| P. C. BONE | 039 | 060 |

| DRAWING NUMBER | REV |
|----------------|-----|
| 77218 | E |