



[Custom
Molded
Rubber](#)



[Custom
Colors!!](#)

[Home](#)

[About PacTec](#)

[Contact Us](#)

Login

[Click Here to Register](#)

Username

Password

[Forget your login info?](#)

[View Cart \(0\)](#)

[Advanced Search](#)

[Connector Search](#)

News

Sign up for our latest news and new product updates!

Email:

LH68-250

External Dimensions: 7.8 x 6.3 x 2.5 in.

PCB Dimensions: 7.3 x 5.8 x 2.5 in.

Colors: Black
PC Bone

Materials: ABS-94HB
[Material Specs](#)

Components:

- Top and Bottom Covers
- Assembly Screws
- 2 Panels
- 4 Feet

 [Add To Cart](#)

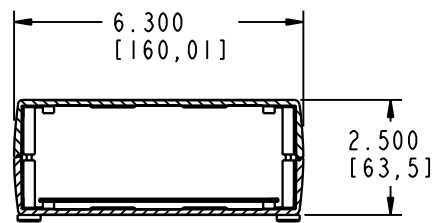
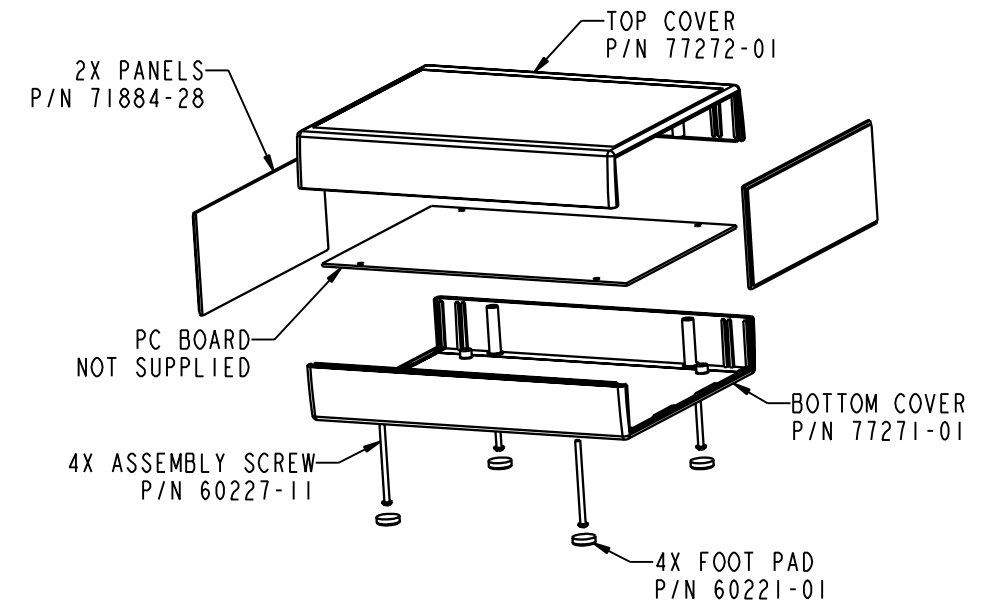
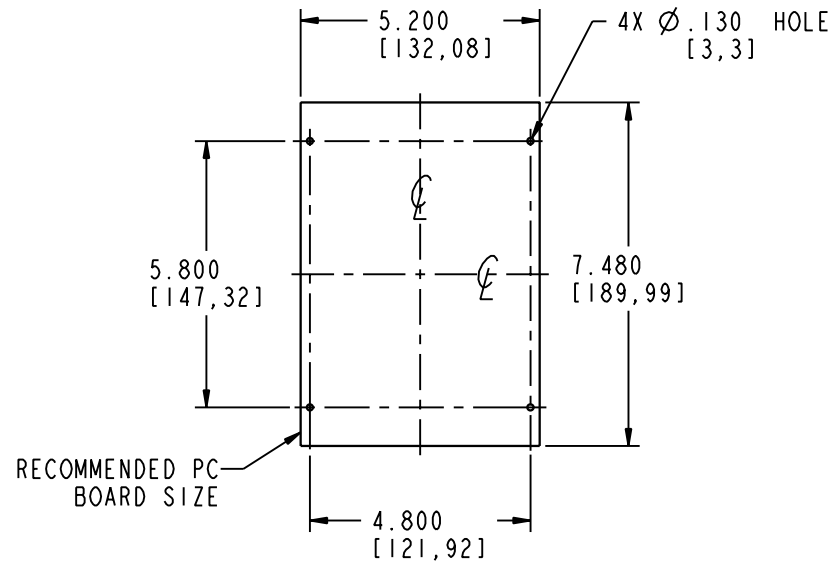
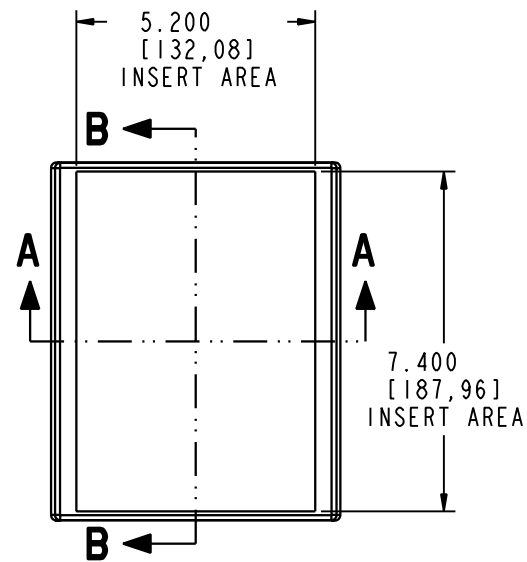


[Custom Colors!!](#)

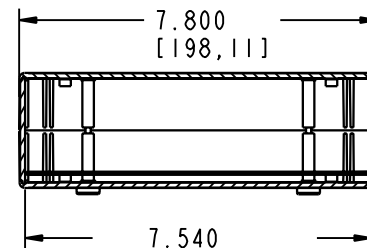


[Free Samples of
New Products Available!](#)

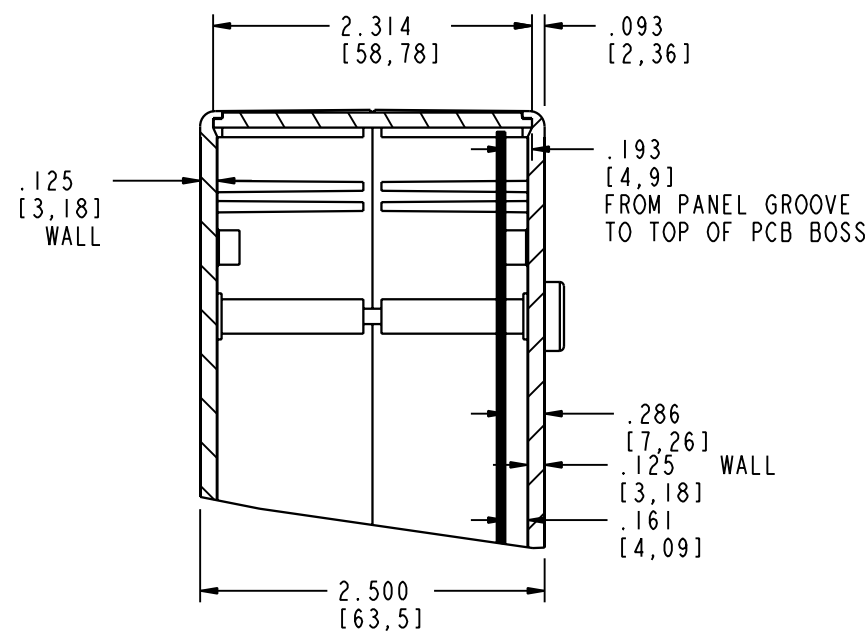
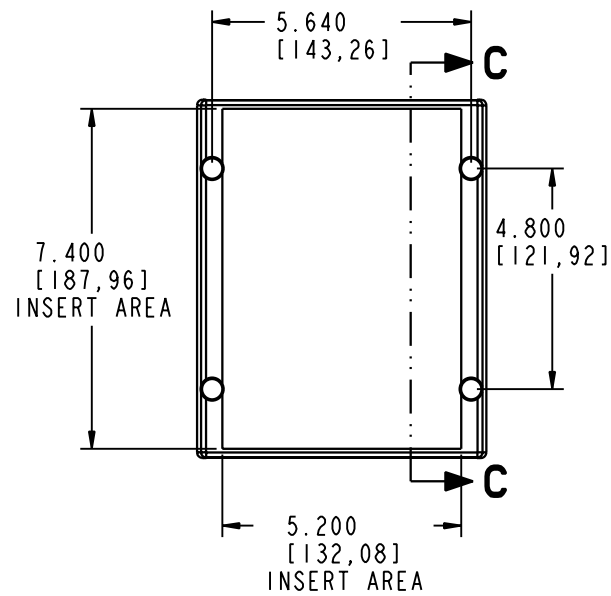




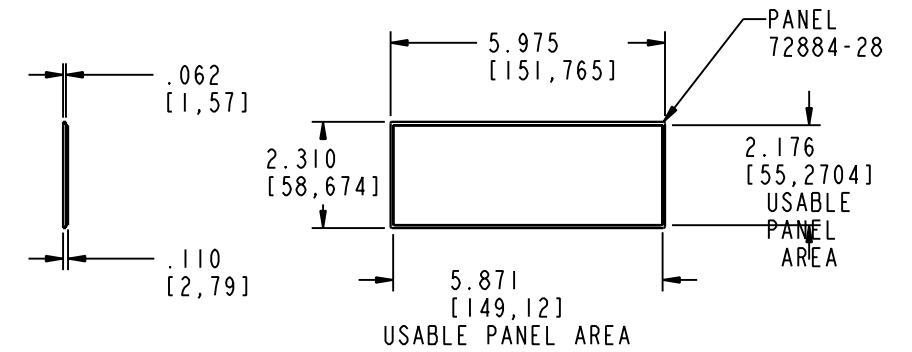
SECTION A-A



SECTION B-B



SECTION C-C



PACNTEC[®]
1-610-361-4231

LH68-250

VISIT **PACNTEC**[®]
ON THE WORLD WIDE WEB
www.pactecenclosures.com

COLOR / MATERIAL CODE		
COLOR	94HB	94VO
BLACK	000	028
P. C. BONE	039	060

DRAWING NUMBER	REV
77277	F