






Path: Home > Enclosure Index > ROLEC-HAMMOND Aluminum Product Index > R190 & R191 Series



click to enlarge

**Key Features:**

- Modern, high quality instrument enclosure
- Material - Aluminum die-cast: GD SI 12 / DIN 1725
- Shallow lid, deep body
- Captive stainless steel lid screws
- Enclosure can be mounted after closing lid
- Integrated 1.7 mm recess in lid for membrane keypads and front panels
- Neoprene oil and petrol resistant - thermoplastic gasket standard. (-40°C up to +120°C)
- Clip-on design covers - to hide mounting & lid screws (plastic - polyoxymethylene) - grey RAL 7040
- Complete with lid captivation devices
- Degree of protection: NEMA 4X, IP67
- Textured polyester powder coat, grey RAL 7040. (Special paint finishes in a variety of colors are available)

Part No.	Reader File	 Drawing File Size	AutoCAD .dxf File	.dxf File Size	Units	Width	Length	Depth (Including Lid)
						A	B	C
<b>R191-090-000</b>		95K		136K	mm	90	120	60
					inches	3.5	4.7	2.4
<b>R191-092-000</b>		93K		130K	mm	90	160	60
					inches	3.5	6.3	2.4

<b>R190-110-000</b>		94K		132K	mm	110	140	60
					inches	4.3	5.5	2.4
<b>R190-112-000</b>		92K		126K	mm	110	200	60
					inches	4.3	7.9	2.4
<b>R190-130-000</b>		95K		138K	mm	130	160	70
					inches	5.1	6.3	2.8
<b>R190-132-000</b>		93K		131K	mm	130	220	70
					inches	5.1	8.7	2.8
<b>R190-150-000</b>		90K		125K	mm	150	180	60
					inches	5.9	7.1	2.4
<b>R191-150-000</b>		91K		131K	mm	150	180	90
					inches	5.9	7.1	3.5
<b>R190-152-000</b>		90K		128K	mm	150	260	60
					inches	5.9	10.2	2.4
<b>R191-152-000</b>		90K		131K	mm	150	260	90
					inches	5.9	10.2	3.5
<b>R190-170-000</b>		91K		125K	mm	170	200	60
					inches	6.7	7.9	2.4
<b>R191-170-000</b>		93K		134K	mm	170	200	90
					inches	6.7	7.9	3.5
<b>R190-172-000</b>		89K		125K	mm	170	280	60
					inches	6.7	11	2.4
<b>R191-172-000</b>		90K		131K	mm	170	280	90
					inches	6.7	11	3.5



Link here to [photo tables](#) of each part number

**Features (by photos):**



click to enlarge

Snap in design covers hide both lid screws and installation holes

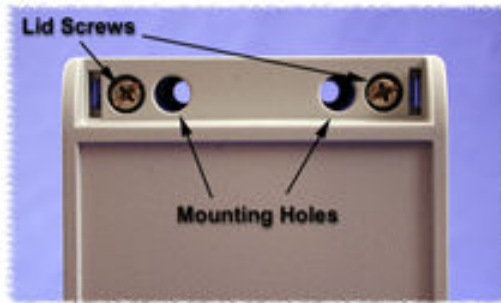


click to enlarge

Includes optional use lid captivation straps



Enclosure can be installed after closing lid



click to enlarge

Dual channel construction  
Mounting holes accessible with lid closed. All holes outside of gasket seal.

Exactly what you are looking for???

Link to our stocking distributors - most have "on-line" pricing, stock check and ordering!!!

[Our Distributors](#)

Order from your favorite distributor



[HOME PAGE](#)

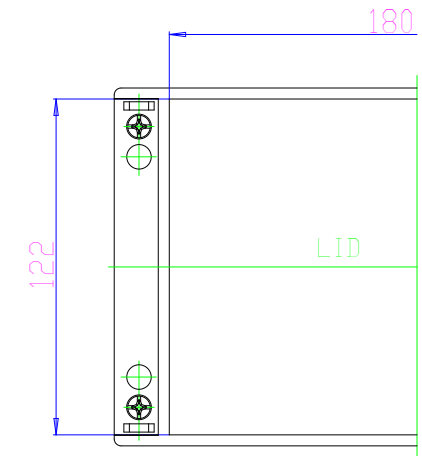
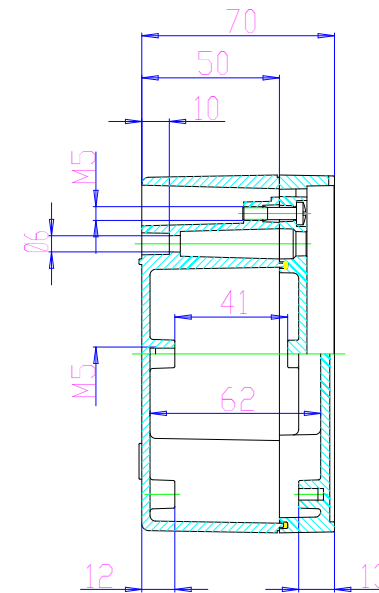
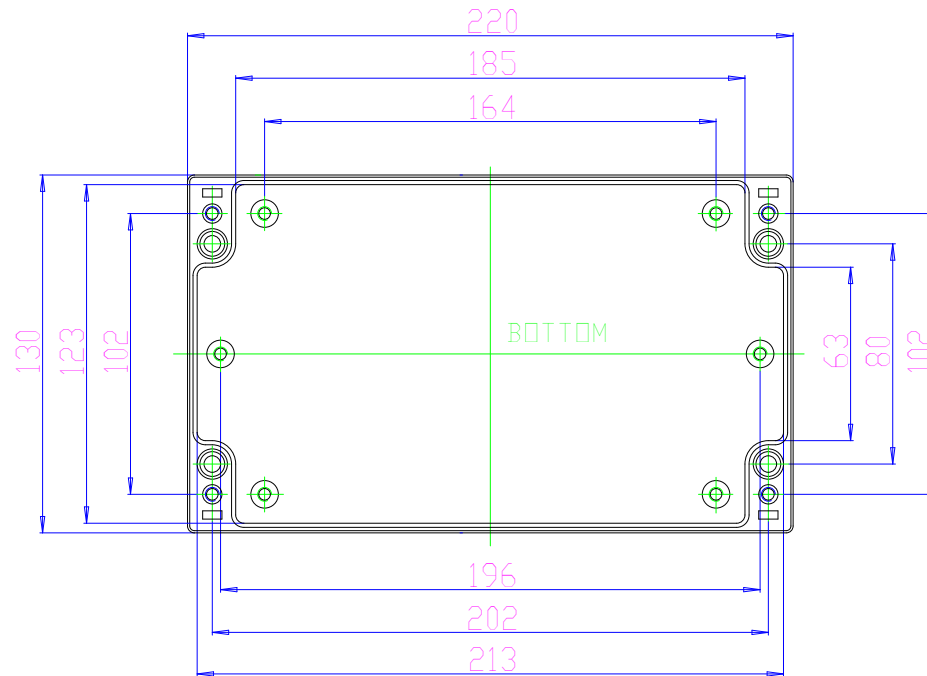
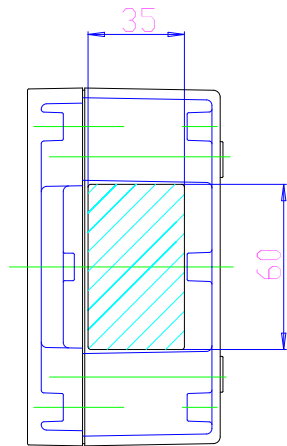
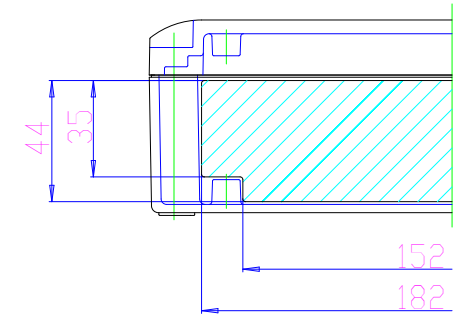
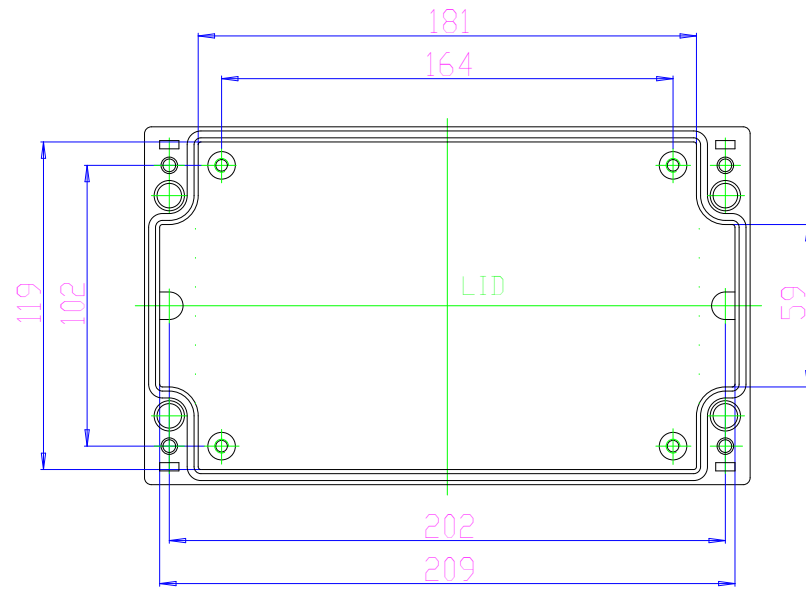


Copyright;

- AVAILABLE ACCESSORIES:  
 -ALUMINUM TRIM COVERS  
 -HINGES  
 -INSERT LOCKS  
 -CHROMATIZING  
 -CORROSION PROOF COATING  
 -SHIELDING  
 -INGRESS PROTECTION IP67

NOTES

MATERIAL-ALUMINUM DIE-CAST: GD SI 12 / DIN 1725  
 LID SCREWS-CAPTIVE STAINLESS STEEL  
 CLIP ON TRIM-PLASTIC POM (POLY-OXYMETHYLENE) GREY RAL 7040  
 RECESS IN THE TOP CAN ACCOMMODATE MEMBRANE KEYPADS  
 INTEGRATED COVER BRACKETS PROVIDE STRAIN RELIEF FOR WIRING BETWEEN ENCLOSURE AND LID  
 DEGREE OF PROTECTION NEMA 4X, IP66  
 NEOPRENE OIL AND PETROL RESISTANT-THERMOPLASTIC GASKET (-40 C TO +140 C)  
 TEXTURED POLYESTER POWDER COAT, GREY RAL 7040



For the best fit print on legal size paper.

THIS DRAWING IS PROPRIETARY INFORMATION OF HAMMOND MFG.CO.LTD. NOT TO BE USED WITHOUT EXPRESSED WRITTEN PERMISSION OF HAMMOND MFG.CO.LTD.

△	N/A	RELEASE	---	03 01 03	MJM
Rev	ECN	Description		Date	B

Dwn	M. MERCER
Date	03 01 03
Chk	---
Mat'l	DIE-CAST ALUMINUM
Sheet	1 of 1

HAMMOND MANUFACTURING CO. LTD. Electronics Group, Waterloo, Ont. - Cheektowaga, NY	
ROLEC aluCASE SERIES ENCLOSURES	
Part#: R190-132-000	Dwg: ACF 132