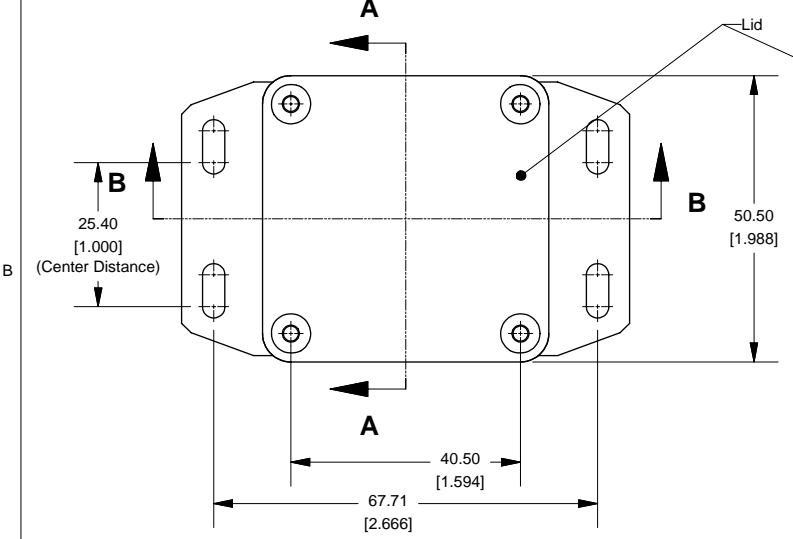
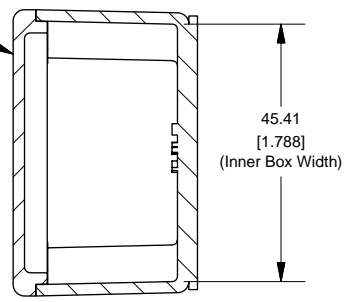


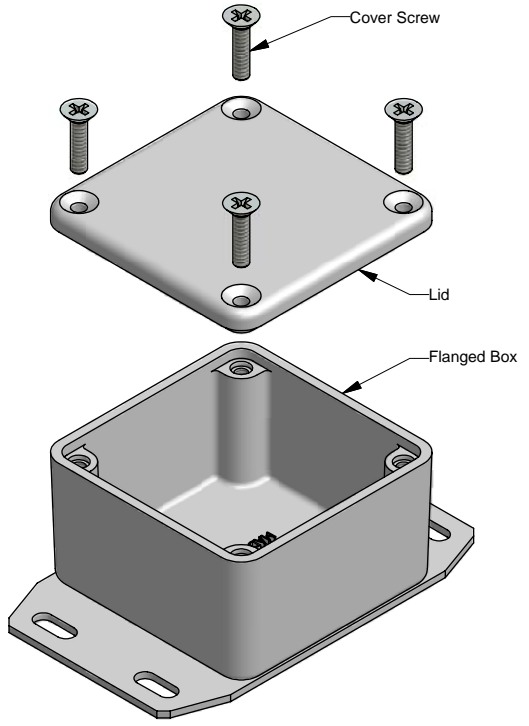
Top View of Assembly



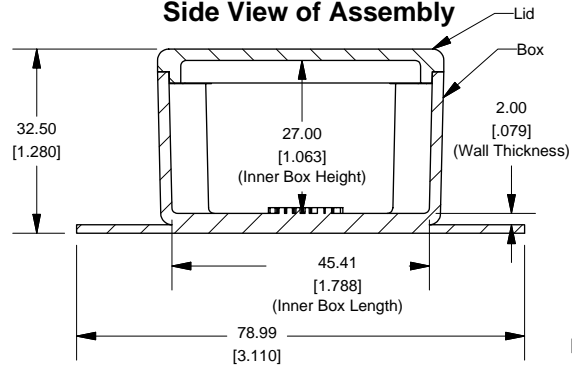
SECTION A-A End View of Assembly



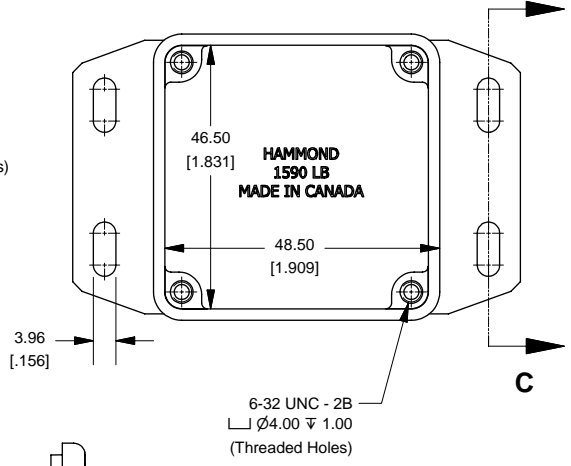
Series 1590LBF (Flanged Box)



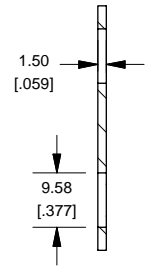
SECTION B-B Side View of Assembly



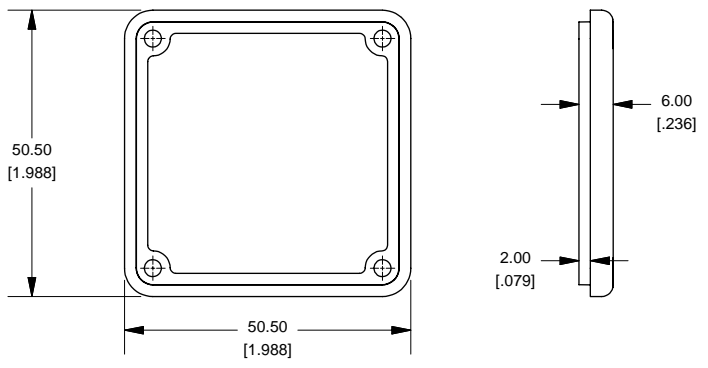
Top View Looking Inside Box C



SECTION C-C Side View of Slot



Lid



NOTE
Purchased assembly includes box, lid and 4 cover screws.
Box and lid are made from Diecast Aluminum Alloy (alloy type 360.1).
Flanges are made from Stamped Aluminum 5052-H32

PART NUMBERS	
1590LBF Enclosure	
Unfinished	1590LBF
Black Textured Powder Paint	1590LBFBK
1590LBF Liquid Resistant Enclosure (Silicon Factory Installed Gasket)	
Unfinished	1590WLBF
Black Textured Powder Paint	1590WLBFBK
ACCESSORIES	
Unfinished	
Cover Screws (Pkg 100) [6-32 x 1/2" Nickel Plated Screws]	1590MS100
Black Textured Powder Paint	
Cover Screws (Pkg 50) [6-32 x 1/2" Stainless Steel Black Screws]	1590MS50BK

