

PART NAME

GRABBER (STYLE D)

PART No.

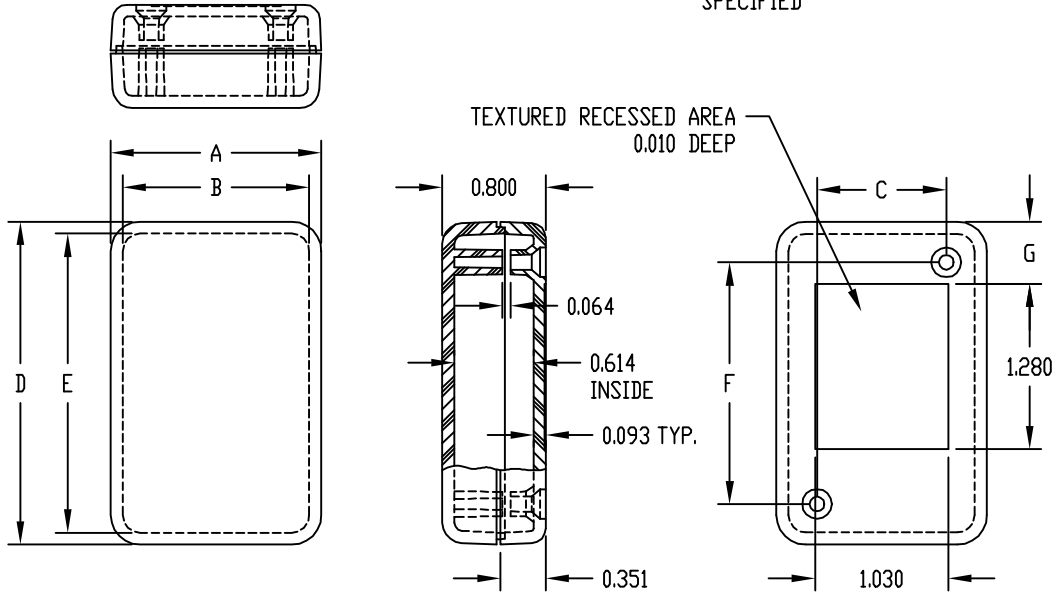
HH-3465 & HH-3468

MATERIAL: ABS THERMOPLASTIC, UL94V-0
 FLAMMABILITY RATING (UL FILE #E121562),
 SUGGESTED SERVICE TEMPERATURE -20° C
 TO +70° C

FINISH: BLACK TEXTURED

TWO (2) #4 x 0.500" LG. SCREWS (BLACK)
 SUPPLIED FOR ASSEMBLING COVER TO BODY

NOTE: ALL DIMENSIONS HAVE ±0.010
 TOLERANCE UNLESS OTHERWISE
 SPECIFIED



| PART NO. | A | B | C | D | E | F | G |
|----------|-------|-------|-------|-------|-------|-------|-------|
| HH-3465 | 1.630 | 1.444 | 1.000 | 2.500 | 2.314 | 1.870 | 0.481 |
| HH-3468 | 2.000 | 1.814 | 1.375 | 2.750 | 2.564 | 2.125 | 0.591 |

PART NAME

GRABBER (STYLE D)

PART No.

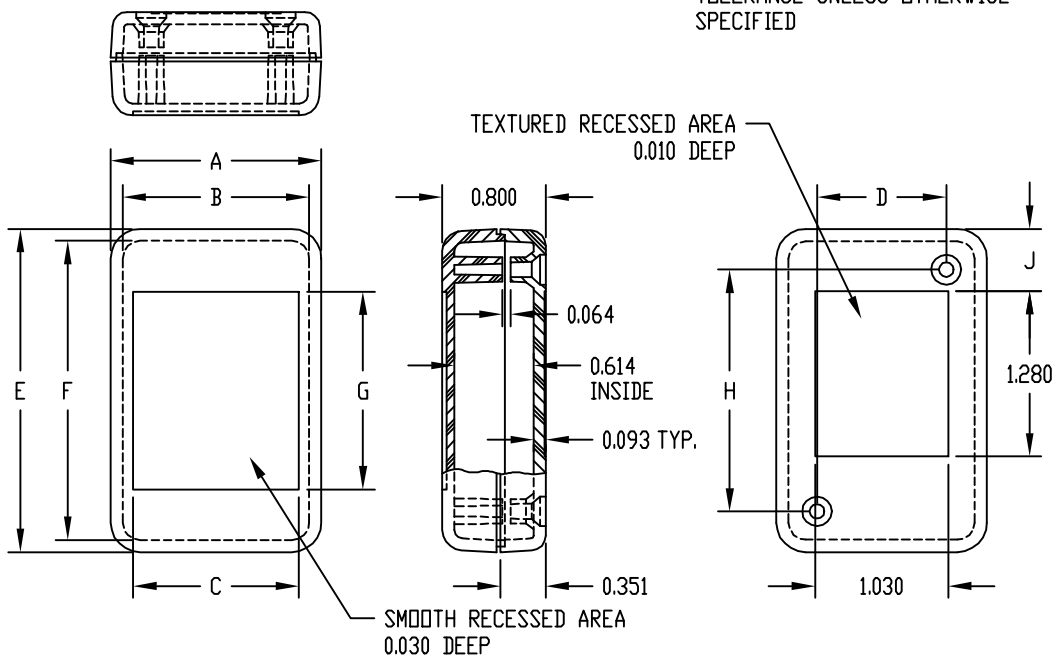
HH-3466 & HH-3469

MATERIAL: ABS THERMOPLASTIC, UL94V-0
 FLAMMABILITY RATING (UL FILE #E121562),
 SUGGESTED SERVICE TEMPERATURE -20° C
 TO +70° C

FINISH: BLACK TEXTURED

TWO (2) #4 x 0.500" LG. SCREWS (BLACK)
 SUPPLIED FOR ASSEMBLING COVER TO BODY

NOTE: ALL DIMENSIONS HAVE ±0.010
 TOLERANCE UNLESS OTHERWISE
 SPECIFIED



| PART NO. | A | B | C | D | E | F | G | H | J |
|----------|-------|-------|-------|-------|-------|-------|-------|-------|-------|
| HH-3466 | 1.630 | 1.444 | 1.280 | 1.000 | 2.500 | 2.314 | 1.530 | 1.870 | 0.481 |
| HH-3469 | 2.000 | 1.814 | 1.530 | 1.375 | 2.750 | 2.564 | 1.780 | 2.125 | 0.591 |