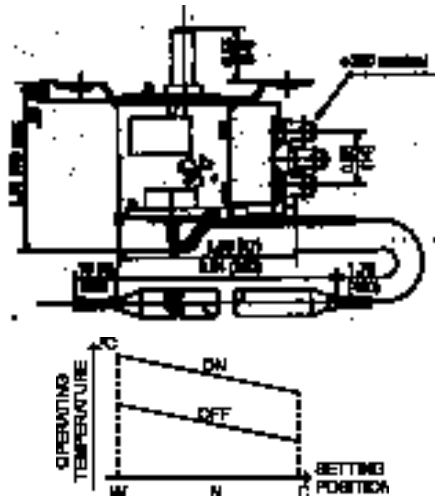


Cold Capillary Controls

WK and WK-H Series



APPLICATIONS

- Coolers
- Freezers
- Refrigerators
- Ice machines
- Air conditioners

The WK and WK-H Series general purpose thermostats provide the ideal temperature control solution for a wide variety of refrigeration and air-conditioner applications. This cold control provides accurate temperature control and high sensitivity for a wide range of refrigerators, freezers, beverage coolers, and display case applications. High current capability switch of SPST or SPDT. There is a narrow differential and a forced off function. The WK and WK-H Series can be used in DC current with inductive loads. Fixed operating temperatures (without shaft) are also available. With universal adaptability in mind, the WK and WK-H Series is designed to replace many OEM controls, offering the user additional options and convenience during equipment manufacturing or repair. Mainly built to custom specifications, it comes complete with a variety of mounting hardware including brackets, terminals, dial plates, and knobs.

SPECIFICATIONS

Temperature range	-31°F to 104°F (-35°C to 40°C) with bulb -31°F to 90°F (-35°C to 32°C) no bulb
Maximum temperature range	36°F (20°C)
Differential	4°F to 9°F (2°C to 5°C)
Tolerance	2.7°F (1.5°C) at calibration point 3.6°F (2.0°C) at non-calibration point
Contact resistance	<50m Ω
Insulation resistance	>100m Ω
Dielectric strength	AC 50/60Hz, 1500V/1 minute
UL/CSA/VDE electrical ratings Model WK	125/250VAC, 20 Amps, Resistive 100,000 Cycles
Inductive load ratings	125/250VAC, 20FLA, 80LRA
UL/CSA/VDE electrical ratings Model WK-H	125/250VAC, 20 Amps, Resistive 100,000 Cycles
Inductive load ratings	125/250VAC, 25FLA, 100LRA
Approvals	UL File No. E195847, SDFY2 C-UL File No. E195847, SDFY8 VDE

Models available from stock - subject to availability

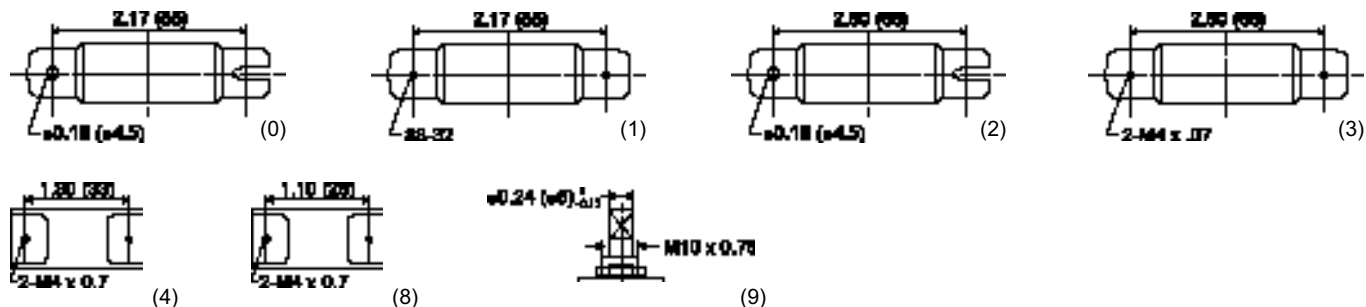
Part Number	Temperature Settings			
	Switch Action	Cold °F	Normal °F	Warm °F
WK1V-115-020	ON	●	42	45
	OFF	34	37	●
WKF29.4S-005-120	ON	-5.8	5	12.2
	OFF	-20.2	-9.4	-2.2
WKF20.6E-007-020	ON	3	21	41
	OFF	4	16	33
WKF11V-109-021T	ON	35	●	46
	OFF	13	●	●
WKF1V-005-020-1	ON	38	●	43
	OFF	30	●	●
WKF11A-102-022 (Constant Cut-In)	ON	39	39	39
	OFF	12	21	30
WK15.6S-408-060	ON	64.4	●	90
	OFF	60.08	●	●

It is the customer's sole responsibility to specify and determine the suitability of a particular control or component based on their unique individual applications and requirements

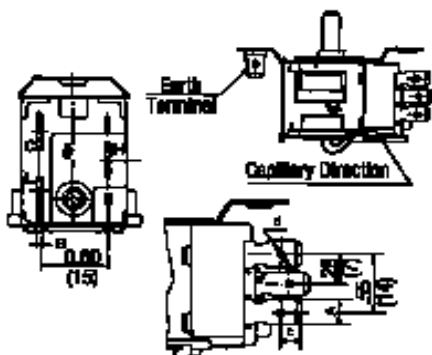
Brackets, Terminals and Adjustment Shafts

Options for WD, WS, WK and WK-H Series

Bracket Options



Terminal Options

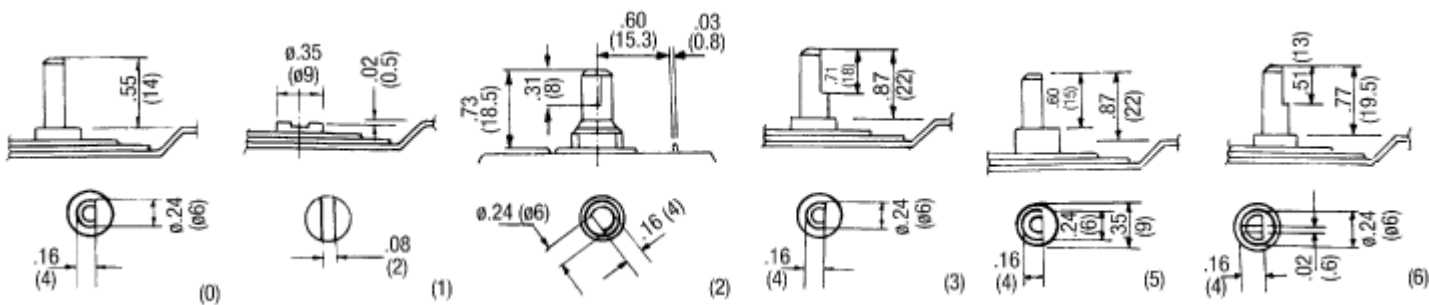


Terminal Number	A x B (mm)	C (mm)	D (inches)	Code	
				Terminal	Ground Terminal
#187	4.75 x 0.55	3.2 + 0.25	1.4	1 or 5	1 or 3
#250	4.75 x 0.8	4.2 + 0.3	1.4	3 or 7	5 or 7
#187	6.35 x 0.8	3.2 + 0.25	1.6	2 or 6	2 or 4

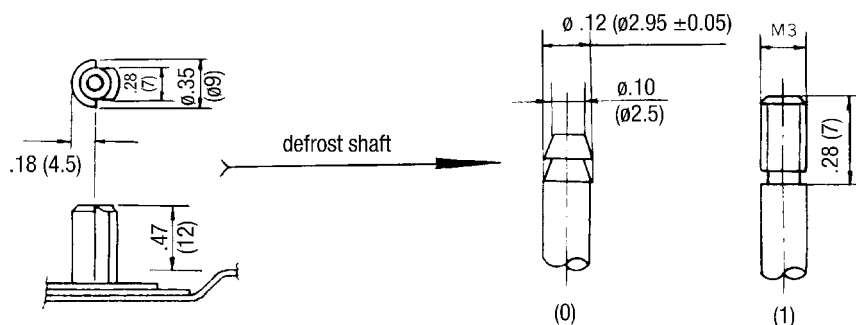
Terminal No. 1, 2, and 3 - are the same direction as capillary
Terminal No. 5, 6, and 7 - are the opposite direction

Ground Terminal No. 1, 2, and 5 - are in the front of the bracket
Ground Terminal No. 3, 4, and 7 - are in the rear of the bracket

Adjustment Shaft Options



For WS Series



It is the customer's sole responsibility to specify and determine the suitability of a particular control or component based on their unique individual applications and requirements