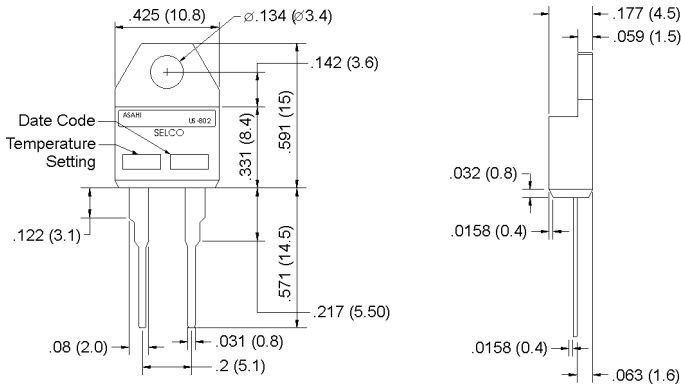
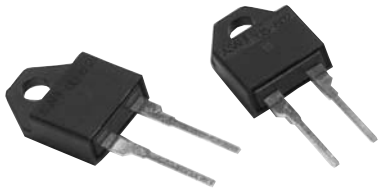


Printed Circuit Board Thermostats

802 Series



FEATURES

- Conforms to Y220/TO220 package
- Ultra compact design
- Gold plated - silver contacts

APPLICATIONS

- Computers
- Test equipment
- Power supplies

The Selco 802 Series is a miniature bimetal thermostat. This PCB unit conforms to the international Y220/TO220 package. The SPST snap-action contact is available normally open or normally closed at a factory set point range of 104°F to 284°F.

SPECIFICATIONS

Electrical ratings	48VDC, 1 Amp, Resistive, 30,000 Cycles 120VAC, 1 Amp, Resistive, 30,000 Cycles 5VDC, 20mA, Resistive, 100,000 Cycles
Temperature range	One fixed set point 104°F to 248°F (40°C to 120°C)
Differential	27°F (15°C)
Environmental temperature	284°F (140°C)
Dielectric strength	1,500VAC/1 minute 1,500VAC/1 minute between terminals and cover
Circuit resistance	50m Ω or less
Insulation resistance	100M Ω or more (with a 500VDC megger)
Materials	
Body housing	PBT (Polybutylene Terephthalate) UL-94 VO
Terminals	Tin plated brass
Contacts	Gold plated silver
Approvals	Temperature indicating and regulating UL873, CUL (CSA), CE UL Recognized File No. E145478(S), XAPX2 C-UL Recognized File No. E145478(S), XAPX8 VDE File No. E-14713 RoHS Compliant

Models available from stock - subject to availability
802-F - Close On-Rise (normally open)

Model Number	Temperature Ranges			
	Closing		Reset	
	±9°F	±5°C	±12°F	±7°C
802F-040	104	40	77	25
802F-045	113	45	86	30
802F-050	122	50	95	35
802F-055	131	55	104	40
802F-060	140	60	113	45
802F-065	149	65	122	50
802F-070	158	70	131	55
802F-075	167	75	140	60
802F-080	176	80	149	65
802F-085	185	85	158	70
802F-090	194	90	167	75
802F-095	203	95	176	80
802F-100	212	100	185	85
802F-105	221	105	194	90
802F-110	230	110	203	95
802F-115	239	115	212	100
802F-120	248	120	221	105

Models available from stock - subject to availability
802-L - Open On-Rise (normally closed)

Model Number	Temperature Ranges			
	Opening		Reset	
	±9°F	±5°C	±12°F	±7°C
802L-040	104	40	77	25
802L-045	113	45	86	30
802L-050	122	50	95	35
802L-055	131	55	104	40
802L-060	140	60	113	45
802L-065	149	65	122	50
802L-070	158	70	131	55
802L-075	167	75	140	60
802L-080	176	80	149	65
802L-085	185	85	158	70
802L-090	194	90	167	75
802L-095	203	95	176	80
802L-100	212	100	185	85
802L-105	221	105	194	90
802L-110	230	110	203	95
802L-115	239	115	212	100
802L-120	248	120	221	105

It is the customer's sole responsibility to specify and determine the suitability of a particular control or component based on their unique individual applications and requirements

(714) 917-1333 • (800) 257-3526 • FAX (714) 917-1355 • E-mail: sales@selcoproducts.com