









Style	Surface Mount PTC Fuse	Surface Mount PTC Fuse	Surface Mount PTC Fuse	Surface Mount PTC Fuse
Dimensions	3.2 x 1.6 mm	4.6 x 3.2 mm	5.1 x 4.6 mm	
Product picture				
Type	PFNF	PFMF	PFDF	PFSM
V max [VDC]	6.0 - 30.0 VDC	13.2 - 60.0 VDC	60.0 VDC	6.0 - 60.0 VDC
I max [A]	10 - 100 A	10 - 100 A	10 A	40 - 100 A
I hold [A]	0.12 - 1.5 A	0.1 - 0.75 A	0.55 A	0.3 - 2.6 A
Comment	1206 footprint	1812 footprint	2018 footprint	2029 and 3425 footprint
Operating Temperature	-40 °C to 85 °C	-40 °C to 85 °C	-40 °C to 85 °C	-40 °C to 85 °C
Approvals				
Catalogue page	xxx	xxx	xxx	xxx

Style	Surface Mount PTC Fuse	Radial leaded PTC fuse	Radial leaded PTC fuse
Dimensions			
Product picture			
Type	PFHT	PFRA	PFRX
V max [VDC]	16.0 VDC	16.0 - 60.0 VDC	60.0 VDC
I max [A]	100 A	40 - 100 A	40 A
I hold [A]	1.36 - 1.6 A	0.05 - 11 A	1.1 - 3.75 A
Comment	2029 and 3425 footprint		
Operating Temperature	-40 °C to 125 °C	-40 °C to 85 °C	-40 °C to 85 °C
Approvals			
Catalogue page	xxx	xxx	xxx

PFNF



1206 footprint · 6.0 - 30.0 VDC · 0.12 - 1.5 A



Approvals

- UL File Number: E172175

Applications

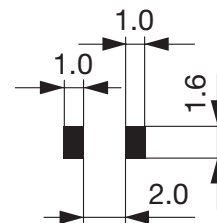
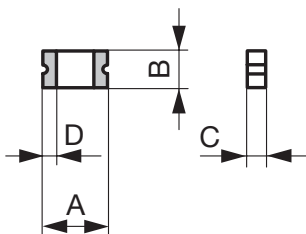
- USB port protection
- PC motherboards
- PDA's / Digital Cameras
- Game console port protection

Technical Data

V max [VDC]	6.0 - 30.0 VDC
I max [A]	10 - 100 A
I hold [A]	0.12 - 1.5 A
Fastening	PCB,SMT
Allowable operation temp.	-40 °C to 85 °C
Material: Terminals	Electroless Nickel under Immerion Gold
Weight	0.006 g
Stock Conditions	0 °C to 40 °C, max. 70% r.h.

Soldering Methods	Reflow
Solderability	245 °C / 3 sec
Resistance to Soldering Heat	260 °C / 10 sec
Passing Aging	+85 °C, 1000 Hours -> +/- 5% Typical Resistance Change
Humidity Aging	+85 °C, 85% r.h., 1000 Hours -> +/- 5% Typical Resistance Change
Thermal Shock	+85 °C to -40 °C, 20 Times -> +/- 10% Typical Resistance Change
Vibration	MIL-STD-883C, Method 2007.1, Test Condition A
Resistance to Solvents	MIL-STD-202, Methode 215

Dimensions

Length  3.2 mm

Solder pads

PFNF**Dimensions**

Order Number	A min [mm]	A max [mm]	B min [mm]	B max [mm]	C min [mm]	C max [mm]	D min [mm]
PFNF.012.2	3	3.4	1.4	1.8	0.7	1.1	0.25
PFNF.020.2	3	3.4	1.4	1.8	0.48	0.85	0.25
PFNF.035.2	3	3.4	1.4	1.8	0.48	0.85	0.25
PFNF.050.2	3	3.4	1.4	1.8	0.48	0.85	0.25
PFNF.075.2	3	3.4	1.4	1.8	0.4	0.7	0.25
PFNF.110.2	3	3.4	1.4	1.8	0.4	0.7	0.25
PFNF.150.2	3	3.4	1.4	1.8	0.4	0.7	0.25

Thermal Derating Chart I_{hold} / I_{trip} [A]

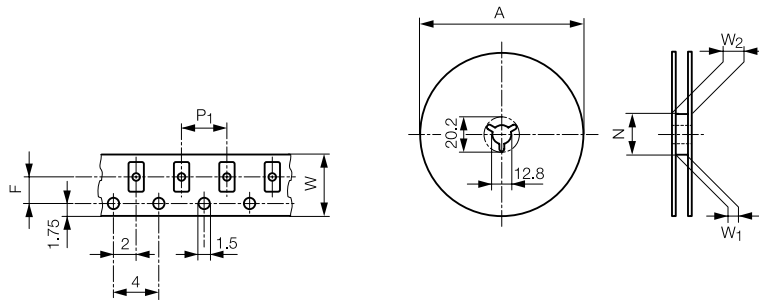
Order Number	-40 °C	-20 °C	0 °C	23 °C	40 °C	50 °C	60 °C	70 °C	85 °C
PFNF.012.2	0.19	0.17	0.15	0.12 / 0.29	0.11	0.1	0.09	0.08	0.07
PFNF.020.2	0.3	0.27	0.24	0.2 / 0.46	0.18	0.16	0.14	0.12	0.11
PFNF.035.2	0.51	0.46	0.4	0.35 / 0.75	0.3	0.27	0.24	0.22	0.18
PFNF.050.2	0.76	0.68	0.59	0.5 / 1	0.44	0.4	0.35	0.32	0.26
PFNF.075.2	1.11	1	0.85	0.75 / 1.5	0.67	0.61	0.52	0.5	0.42
PFNF.110.2	1.64	1.46	1.3	1.1 / 1.8	0.92	0.83	0.8	0.65	0.52
PFNF.150.2	2.2	1.99	1.77	1.5 / 3	1.34	1.23	1.1	1.01	0.84

Electrical Characteristics

Order Number	V max [VDC]	I max [A]	I hold [A]	I trip [A]	R initial min [mΩ]	R 1 hour max [Ω]	Max Time to trip [A]	Max Time to Trip [s]	Tripped Power Dissipation [W]
PFNF.012.2	30.0	10	0.12	0.29	1.35	6	1	0.2	0.40
PFNF.020.2	24.0	10	0.2	0.46	0.6	2.6	1	0.6	0.60
PFNF.035.2	6.0	100	0.35	0.75	0.3	1.2	8	0.1	0.60
PFNF.050.2	13.2	100	0.5	1	0.15	0.7	8	0.1	0.40
PFNF.075.2	6.0	100	0.75	1.5	0.1	0.4	8	0.1	0.40
PFNF.110.2	6.0	100	1.1	1.8	0.06	0.2	8	0.1	0.60
PFNF.150.2	6.0	100	1.5	3	0.03	0.13	8	0.3	0.60

Packaging Unit

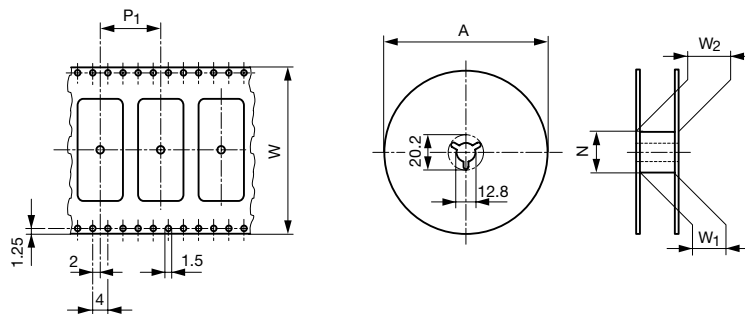
Blister Tape 18 cm Reel (3000 pcs.)



Blister tape and Reel Dimensions

according to IEC 60286-3

Type	P1 [mm]	F [mm]	W [mm]	N [mm]	W1 [mm]	W2 [mm]	A 750 Pcs.	A 1000 Pcs.	A 1500 Pcs.	A 2000 Pcs.	A 3000 Pcs.	A 5000 Pcs.	A 10000 Pcs.	A 15000 Pcs.
USF 0603	4	3.5	8	62	8.4	14.4		180 mm				180 mm		330 mm
USF 1206	4	3.5	8	62	8.4	14.4		180 mm				180 mm		330 mm
MGA	4	3.5	8	62	8.4	14.4	180 mm				180 mm			330 mm
UMT 250	8	11.5	24	62	24.4	30.4				330 mm				
172876	4	5.5	12	62	12.4	18.4			180 mm			330 mm		
MKF	4	5.5	12	62	12.4	18.4	180 mm [500 Pcs.]	180 mm						
MSB	4	5.5	12	62	12.4	18.4		180 mm				330 mm		
MKT	4	5.5	12	62	12.4	18.4	180 mm [500 Pcs.]	180 mm						
OMF 63	8	7.5	16	62	16.4	22.4	180 mm				330 mm			
OMK 63	8	11.5	24	62	24.4	30.4			330 mm					
OMF 125	8	7.5	16	62	16.4	22.4	180 mm				330 mm			
OMK 125	8	11.5	24	62	24.4	30.4	180 mm		330 mm					
OMT 125	8	7.5	16	62	16.4	22.4	180 mm				330 mm			
OMZ 125	8	11.5	24	62	24.4	30.4	180 mm		330 mm					
OMF 250	8	11.5	24	62	24.4	30.4				330 mm				
OMT 250	8	11.5	24	62	24.4	30.4				330 mm				
TF 600	8	11.5	24	62	24.4	30.4				330 mm				
OSU 125	8	7.5	16	62	16.4	22.4	180 mm				330 mm			
OSU 250	8	11.5	24	62	24.4	30.4				330 mm				
OMH 125	8	11.5	24	62	24.4	30.4	180 mm		330 mm					
PFNF	4	3.5	8	62	8.4	14.4					180 mm			
PFMF	8	5.5	12	62	12.4	18.4			180 mm	180 mm				
PFDF	8	7.5	16	62	16.4	22.4					360 mm			
PFSM	8/12	7.5	16	62	16.4	22.4			360 mm	360 mm				
PFHT	8/12	7.5	16	62	16.4	22.4			360 mm	360 mm				



Blister tape and Reel Dimensions

according to IEC 60286-3

Type	P1 [mm]	W [mm]	N [mm]	W1 [mm]	W2 [mm]	A 250 Pcs.	A 400 Pcs.	A 2000 Pcs.
SMD-FST	8	32	100	32.4	38.4			380 mm
SMD-SPT	8	32	100	32.4	38.4			380 mm
SMD-FTT	8	32	100	32.4	38.4			380 mm
OGN-SMD	16	44	100	44.4	50.4		380 mm	
FPG7	16	56	150	56.4	62.4	380 mm		