

## IEC Appliance Connector C14 with Fuseholder, Bowden-Line Switch 2-pole and Voltage Selector

Standard or Medical Fuse drawer



C14



70° C

**Description**

- Panel Mount:  
Screw-on version from front or rear side, snap-in version from front side
- 4 Functions:  
Inlet Protection class I, Line switch for bowdencable actuation 2-pole, Fuseholder with interchangeable fuse drawer for Fuse-links 5 x 20 mm or 6.3 x 32 mm, with or without voltage selector (step)
- Quick connect terminals 4.8 x 0.8 mm
- Alternative: version with line filter [CD-Bowdencable](#)

**Characteristics**

- All single elements are already wired
- The fuse drawer "FingerGrip" can be removed by hand  
For added safety "Extra-Safe" fuse drawers are available  
Fuse drawer meets requirements of medical standard IEC/EN 60601-1  
The fuse drawer can only be opened with the aid of a tool  
The fuseholder is accessible from the equipment front
- Qualified for use in equipment according IEC/EN 60950

**Other versions on request**

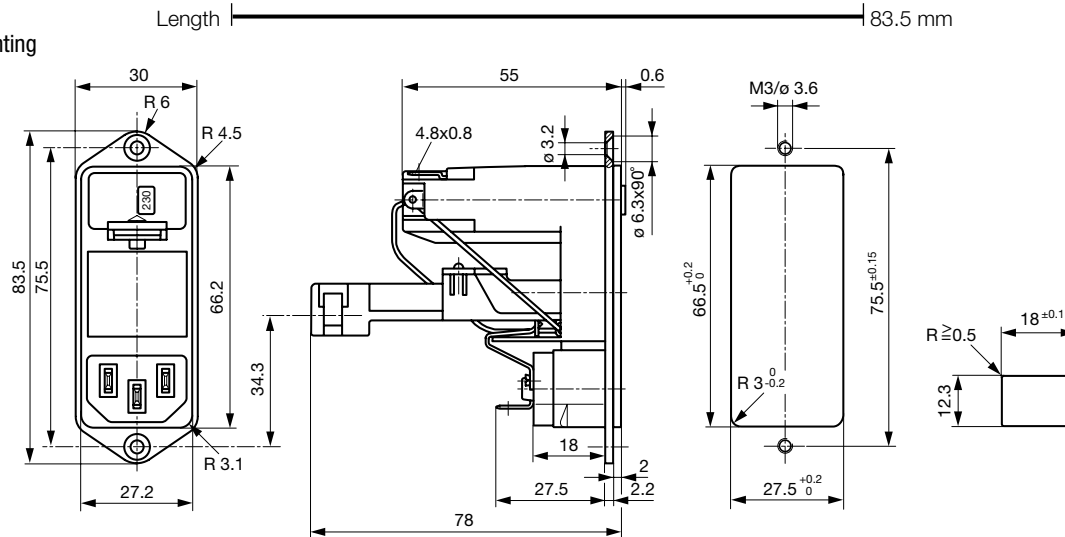
- For protection class II
- Without voltage selector

**Weblinks**Approvals: [www.schurter.com/approvals](http://www.schurter.com/approvals)RoHS: <http://www.schurter.com/rohs>CHINA-RoHS: [www.schurter.com/china-rohs](http://www.schurter.com/china-rohs)Webstore: [www.schurterinc.com/estore/search.ihtml](http://www.schurterinc.com/estore/search.ihtml)**Technical Data**

Ratings IEC	6 A / 250 VAC; Hz 50	Appliance-Inlet /-Outlet	C14 acc. to IEC/EN 60320-1, UL 498, CSA C22.2 no. 42 (for cold condition) pin-temperature 70 °C, 10 A, Protection class I
Ratings UL/CSA	8 A / 125 VAC; 60 Hz	Fuseholder	1 or 2 pole, Shocksafe category PC2 acc. to IEC 60127-6, for fuse-links 5 x 20 or 6.3 x 32 mm
Dielectric Strength	> 3 kVAC between L-N > 4 kVAC between L/N-PE (1 min/50 Hz)	Rated Power Acceptance @ Ta 23 °C	5 x 20: 2.5 W (1 pole)/ 2 W (2-pole) per pole 6.3 x 32: 3.15 W (1 pole)/ 2.5 W (2-pole) per pole
Allowable Operation Temp.	-25 °C to 70 °C	Power Acceptance @ Ta > 23 °C	Admissible power acceptance at higher ambient temperature see derating curves
Degree of Protection	from front side IP 40 acc. to IEC 60529	Line Switch	Switch for bowdencable 2-pole, non-illuminated, acc. to IEC 61058-1 <a href="#">Technical details</a>
Protection Class	Suitable for appliances with protection class I acc. to IEC 61140	Voltage selector	optional, step, 2-4 digits
Terminal	Quick connect terminals 4.8 x 0.8 mm, tin-plated		
Panel Thickness s	Screw-on: max 8 mm Mounting screw torque max 0.5 Nm Snap-in: 1.5/2/2.5 mm		
Material: Housing	Thermoplastic, black, UL 94V-0		

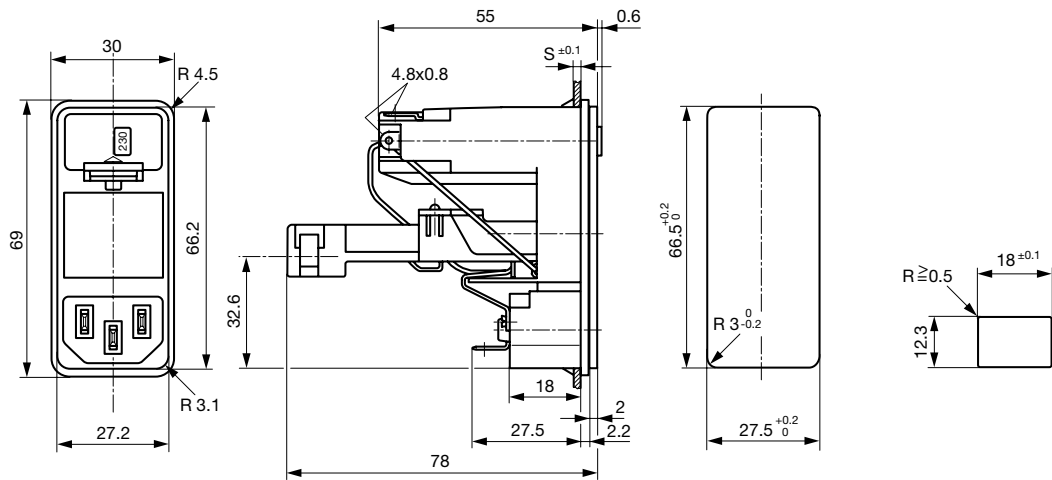
## Dimensions

Screw-on mounting



Panel cut-out for the actuating part

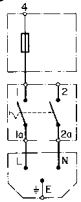
Snap-in mounting



Panel cut-out for the actuating part

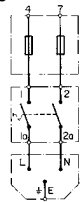
## Diagrams

without voltage selector



1-pole

without voltage selector



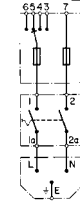
2-pole

with voltage selector



1-pole

with voltage selector

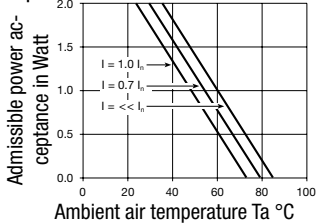


2-pole

## Derating Curves for Fuseholders

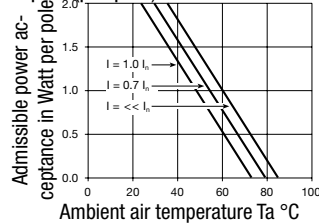
Fuses 5 x 20 mm

1-pole



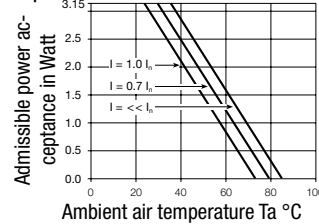
Fuses 5 x 20 mm

2-pole (per pole)



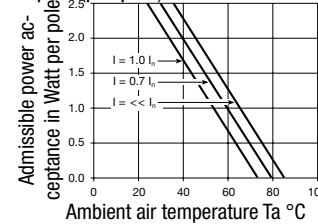
Fuses 6,3 x 32 mm

1-pole



Fuses 6,3 x 32 mm

2-pole (per pole)



Bowden cable must be ordered separately

Type	Panel mounting	Panel Thickness s [mm]	Fuseholder	Line Switch	Voltage selector max. 4 pos*	Order Number
KD-Bowdencable	Snap-in	1.5	1 pole	Switch for bowdencable	without	KD11.4199.105
KD-Bowdencable	Snap-in	2	1 pole	Switch for bowdencable	without	KD11.4199.107
KD-Bowdencable	Snap-in	2.5	1 pole	Switch for bowdencable	without	KD11.4199.109
KD-Bowdencable	Snap-in	1.5	2-pole	Switch for bowdencable	without	KD14.4199.105
KD-Bowdencable	Snap-in	2	2-pole	Switch for bowdencable	without	KD14.4199.107
KD-Bowdencable	Snap-in	2.5	2-pole	Switch for bowdencable	without	KD14.4199.109
KD-Bowdencable	Screw-on	-	1 pole	Switch for bowdencable	without	KD11.4199.151
KD-Bowdencable	Screw-on	-	2-pole	Switch for bowdencable	without	KD14.4199.151

Packaging unit 10 Pcs

### Required Accessory

#### Description



[Bowdencables incl. accessory](#)  
Bowden Cable for Power Entry Modules



[Fusedrawer 3](#)  
Drawers for fuse links 5x20mm resp. 6.3x32mm

### Accessory



[Cord retaining kits](#)  
Cord retaining strain relieve