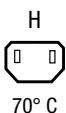
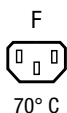


IEC appliance outlet F, screw-on mounting, rear side, PCB-/solder terminal

new

**Description**

- Panel Mount:
Screw-on from rear-side
- Connector, Pin temperature 70 °C, protection class I or II
- For PCB mounting
- Substitute for type [P675/PC](#)
- Alternative: protection class II version

Approvals

- VDE License Number: -
- UL License Number: -
- CSA License Number: 1896151

Other versions on request

- For protection class II

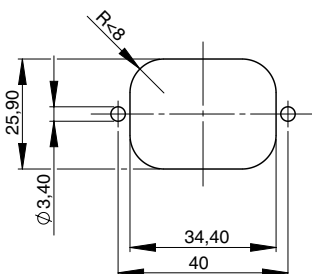
Weblinks

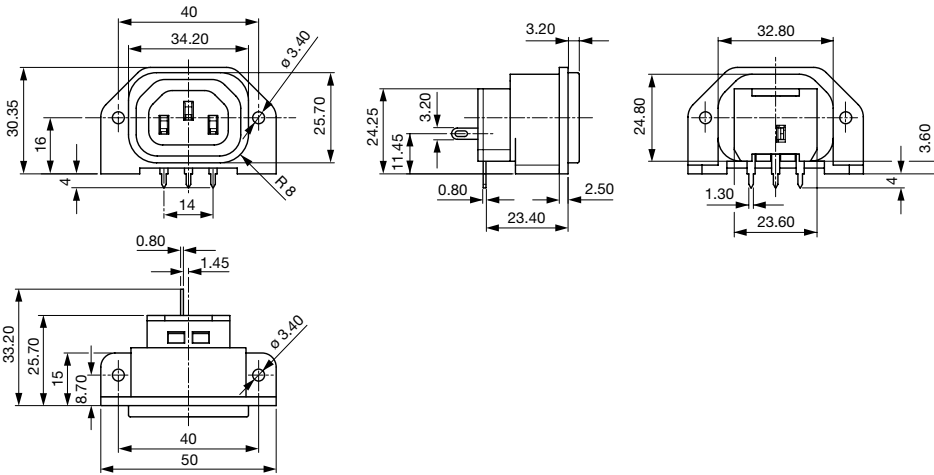
[Approvals](#), [RoHS](#), [CHINA-RoHS](#), [e-Store](#), [SCHURTER-Stock-Check](#), [Distributor-Stock-Check](#), [Product Configurator](#)

Technical Data

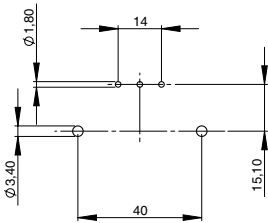
Ratings IEC	10A / 250VAC; 50Hz
Ratings UL/CSA	15A / 250VAC; 60Hz
Dielectric Strength	> 4 kVAC between L-N > 2 kVAC between L/N-PE (1 min/50Hz)
Allowable Operation Temp.	-25 °C to 70 °C
Degree of Protection	from front side IP 20 acc. to IEC 60529
Protection Class	Suitable for appliances with protection class I or II acc. to IEC 61140
Terminal	For PCB mounting ; Ground terminal: Solder terminal straight
Material: Housing	UL 94V-0

Appliance-Inlet/-Outlet	F acc. to IEC/EN 60320-2-2, UL 498, CSA C22.2 no. 42 (for cold conditions) pin-temperature 70 °C, 10A, Protection class I or II
-------------------------	--

Dimensions



Drilling diagrams



Order Code

Product Configurator

5001 - H - A B C 0 - D - E

The characters are placeholders for the correspondingly keys of selections from the key tables.

5001 - H - A B C 0 - D - E = Design

Design	Configuration key
protection class 2	B
protection class 1	X

5001 - H - A B C 0 - D - E = Terminals

Terminal L	Configuration key
PCB-terminal (standard) 	4

5001 - H - A B C 0 - D - E = Terminals

Terminal N	Configuration key
PCB-terminal (standard)	4

Symbols similar as in table A

5001 - H - A B C 0 - D - E = Terminals

Terminal Ground	Configuration key
without terminal	0
PCB-terminal (long)	6

Symbols similar as in table A

5001 - H - A B C 0 - D - E = Color

Color	Configuration key
jet black; RAL9005	A
silver grey; RAL7001	B
pure white; RAL9010	D

Standard color: black

5001 - H - A B C 0 - D - E = Design

Design	Configuration key
flange with through holes	2
flange with through holes (special type)	7

Variants

Distributor-Stock-Check | SCHURTER-Stock-Check | e-Store

Panel mounting	Panel Thickness s [mm]	Order Number
-	-	6182.0033

Variants

Distributor-Stock-Check | SCHURTER-Stock-Check | e-Store

Order Code	Description	Order Number
5001-X-4460-A-2	5001, IEC Connector F, 70°C I or II, L: PCB-terminal (standard), N: PCB-terminal (standard), ground: PCB-terminal (long), color: jet black; RAL9005, design: flange with through holes	6182.0033

The listed variants should be available from stock. Other versions on request www.schurter.com/contact

Packaging unit

50 Pcs

Mating Inlets/Plugs

Category / Description

Interconnection Cord



Power Cord with IEC Appliance Plug E, angled, 70°C	0607
Power Cord with IEC Appliance Plug E, angled, 70°C	0608
Power Cord with IEC Appliance Plug E, straight, 70°C	0609
Power Cord with IEC Appliance Plug G, angled, 70°C	607B
Power Cord with IEC Appliance Plug G, angled, 70°C	608B
Power Cord with IEC Appliance Plug G, straight, 70°C	609B

Plug Connector



IEC plug connector E, rewirable, straight, max. cable diameter 8.5 mm	4732
IEC plug connector E, rewirable, angled, max. cable diameter 10 mm	4733
IEC plug connector E, rewirable, straight, max. cable diameter 10 mm	4735
IEC plug connector E, rewirable, angled, max. cable diameter 10 mm	4736
IEC plug connector E, rewirable, straight	9009
IEC plug connector E, rewirable, angled	9013
IEC plug connector E, rewirable, angled	P685