

IEC Appliance Connector C6 with Line Switch, 70°C



Snap-In Version



**Description**

- Panel Mount:  
Snap-in version, from front side
- Appliance Inlet, Pin temperature 70 °C, Protection class I,
- Line switch 1- or 2-pole

**Approvals**

- VDE License Number: 40002273
- CSA License Number: 1020538

**Characteristics**

- Line switch non-illuminated or illuminated

**Weblinks**

[Approvals](#), [RoHS](#), [CHINA-RoHS](#), [e-Store](#), [SCHURTER-Stock-Check](#), [Distributor-Stock-Check](#), [Product Configurator](#)

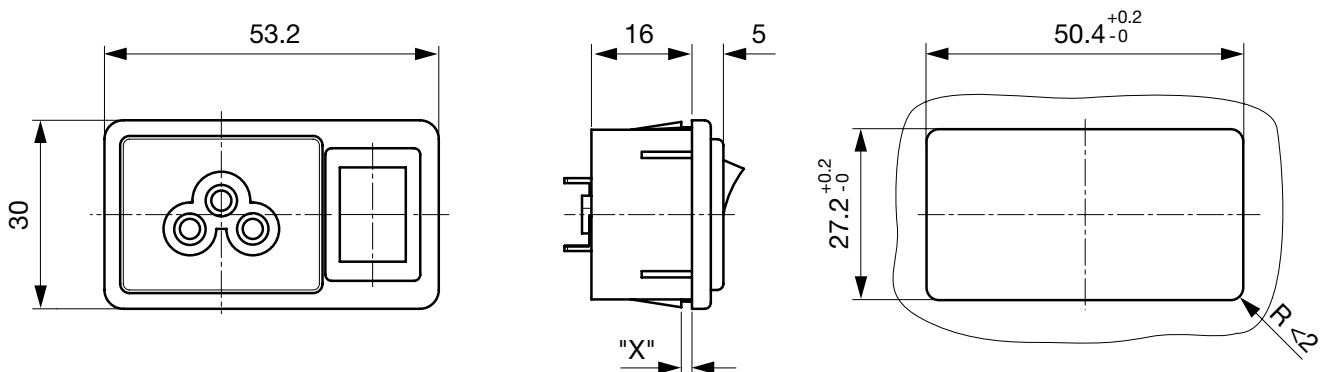
**Technical Data**

Ratings IEC	2.5 A / 250 VAC; 50 Hz
Ratings UL/CSA	2.5 A / 250 VAC; 60 Hz
Dielectric Strength	> 3 kVAC between L-N > 1.5 kVAC between L/N-PE (1 min/50 Hz)
Allowable Operation Temp.	-25 °C to 70 °C
Degree of Protection	from front side IP 20 acc. to IEC 60529
Protection Class	Suitable for appliances with protection class I acc. to IEC 61140
Panel Thickness s	Snap-in: 1/ 1.5/ 2/ 2.5/ 3 mm
Material: Housing	UL 94V-0

Appliance-Inlet/-Outlet	C6 acc. to IEC/EN 60320-1 UL 498, CSA C22.2 no. 42 (for cold conditions) pin-temperature 70 °C, 2.5 A, Protection class I
Line Switch	Rocker switch 1 or 2 pole, non-illuminated or illuminated black, acc. to IEC 61058-1 <a href="#">Technical details</a>

**Dimensions**

Length |-----| 53.2 mm



Dimension "X" please ref. to table order code

## Order Code

Product Configurator

2565-K - H - A B C N - D - E G P


The characters are placeholders for the correspondingly keys of selections from the key tables.

2565-K - H - A B C N - D - E G P = Design

Design	Configuration key
combination frame	K

2565-K - H - A B C N - D - E G P = Terminals

Terminal L	Configuration key
short solder terminal (L=4,8mm)	2
long solder terminal (L=8,5mm)	3
PCB-terminal (standard)	4
blade terminal (2,8x0,8mm)	7



2565-K - H - A B C N - D - E G P = Terminals

Terminal N	Configuration key
short solder terminal (L=4,8mm)	2
long solder terminal (L=8,5mm)	3
PCB-terminal (standard)	4
blade terminal (2,8x0,8mm)	7

Symbols similar as in table A

2565-K - H - A B C N - D - E G P = Terminals

Terminal Ground	Configuration key
short solder terminal (L=4,8mm)	2
long solder terminal (L=8,5mm)	3
PCB-terminal (standard)	4
blade terminal (2,8x0,8mm)	7

Symbols similar as in table A

2565-K - H - A B C N - D - E G P = Anschluss Sicherungshalter

Anschluss Sicherungshalter	Configuration key

2565-K - H - A B C N - D - E G P = Color

Color	Configuration key
jet black; RAL9005	A
silver grey; RAL7001	B
pure white; RAL9010	D
Standard color: black	

2565-K - H - A B C N - D - E G P = Design

Design	Configuration key
snap-in (x=panel thickness)	4

2565-K - H - A B C N - D - E G P = Mass X

Dimension "X"	Configuration key
15	

The dimension "X" is displayed in ( $1/_{10}$  mm). This information is also valid for the order code

2565-K - H - A B C N - D - E G P = Schalter

Schalter	Configuration key
unipolar switch, 4,8mm blade terminal, black rocker	2
unipolar switch, solder terminal, black rocker	3
bipolar switch, 4,8mm blade terminal, black rocker	4
bipolar switch, solder terminals, black rocker	5
bipolar switch, 4,8mm blade terminal, rocker red illuminated	6
bipolar switch, solder terminal, rocker red illuminated	7
bipolar switch, 4,8mm blade terminals, rocker green illuminated	8
bipolar switch, solder terminals, rocker green illuminated	9

## Variants

Order Code	Description	Order Number
2565-K-K-2220-A-4155	2565-K, IEC Power Entry Module C6, 70°C, Ishort solder terminal (L=4,8mm)short solder terminal (L=4,8mm)short solder terminal (L=4,8mm)jet black; RAL9005snap-in (x=panel thickness)15bipolar switch, solder terminals, black rocker	4304.6044

The listed variants should be available from stock Other versions on request

**Packaging unit** 50 Pcs