

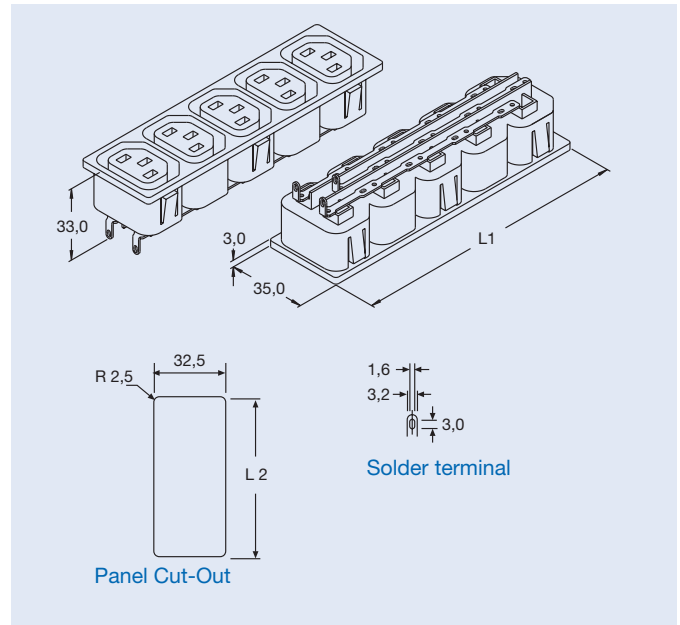
# APPLIANCE COUPLERS

0909

Distribution units

## Ganged Outlets Type 0909

Modules of 2 up to 7 outlets,  
Snap-in mounting from front,  
Solder terminals  
Pin temperature 70 °C  
Protection class I



### Technical data

- Rated current/voltage:  
10 A/250 VAC
- Insulation resistance:  
> 10 MΩ (500 VDC, 1 Min.)
- Dielectric strength:  
2 kV (50 Hz, 1 Min.), to  
accessible surfaces
- Material:  
Body thermoplastic, black,  
UL 94 V-0

### Approvals

VDE (10 A / 250 VAC)  
 UL US (15 A / 250 VAC)

### Standards

Outlets  
IEC/EN 60320-2-2/F

### Order Numbers

	Version	Panel thickness	Length	
			L 1 mm	L 2 mm
0909.0001	2 ganged outlet	1,5 mm	51,0	48,3
0909.0011	3 ganged outlet	1,5 mm	75,0	72,3
0909.0021	4 ganged outlet	1,5 mm	99,0	96,3
0909.0031	5 ganged outlet	1,5 mm	123,0	120,3
0909.0041	6 ganged outlet	1,5 mm	147,0	144,3
0909.0051	7 ganged outlet	1,5 mm	171,0	168,3

### Other versions on request:

- Other panel thickness