

Shock-Safe Fuseholder, 5 x 20 mm, horizontal, Slot/Fingergrip, SMD



Fingergrip

250 VAC · 2.5W/10A (VDE) · 16A (UL/CSA)

**Description**

- Surface Mount Device

Standards

- IEC 60127-6

- UL 512

- CSA C22.2 no. 39

Approvals


- VDE License Number: 129098

- UL File Number: E39328

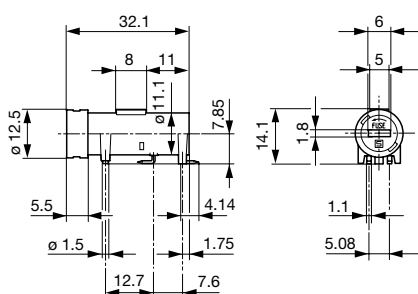
Applications

- Primary Protection on SMD PCB

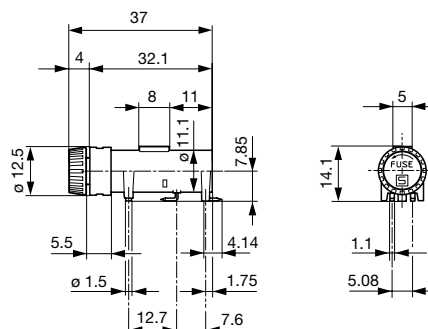
References[General Product Information](#)[Packaging Details](#)**Weblinks**[Approvals](#), [RoHS](#), [CHINA-RoHS](#), [e-Store](#), [SCHURTER-Stock-Check](#), [Distributor-Stock-Check](#)**Technical Data**

Shocksafe Category	PC2
Fuse-Link	5 x 20 mm
Mounting	PCB
Terminal	Solder SMT
Rated Voltage	250VAC
Rated Current	10A (VDE), 16A (UL/CSA)
Rated Power Acceptance IEC	2.5W / 10A @ Ta 23°C
	Admissible power acceptance at higher ambient temperature see derating curves
Degree of Protection	IP 40
Protection Class	Suitable for appliances with protection class I or II acc. to IEC 61140
Admissible Ambient Air Temp.	-40°C to 85°C
Climatic Category	40/085/21 acc. to IEC 60068-1
Material: Socket	Thermoplastic, black, UL 94V-0
Material: Terminals	Tin-Plated Copper Alloy
Unit Weight (Socket/Cap)	4.4 g
Storage Conditions	0°C to 60°C, max. 70% r.h.
Product Marking	 Type, Voltage Rating, Power Acc./Current Rating, Approvals

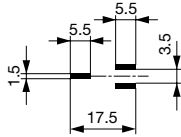
Soldering Methods	Reflow
Solderability	245°C / 3 sec acc. to IEC 60068-2-58, Test Td
Resistance to Soldering Heat	260°C / 10 sec acc. to IEC 60068-2-58, Test Td
Contact Resistance	< 5 mΩ at 20 mV
Dielectric Strength	> 3kV between L-N (50Hz; 1 min)
Impulse Withstand Voltage	> 4kV between L-N
Insulation Resistance	> 10 MΩ between L-N (500 VDC; 1 min)
Overvoltage Category	I - III acc. to IEC 60664-1
Pollution Degree	1 - 3 acc. to IEC 60664-1
Resistance to Vibration	acc. to IEC 60068-2-6, test Fc

DimensionsLength  32 mm

Variant 3101.0070

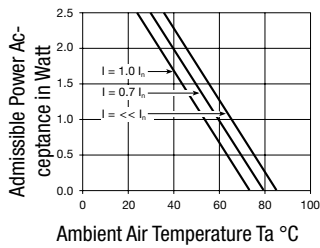


Variant 3101.0075



Solder pads

Derating Curves for Fuseholders



Variants

[Distributor-Stock-Check](#) | [SCHURTER-Stock-Check](#) | [e-Store](#)

Holder	Cap	Degree of Protection	Material	Reflow Condition	Order Number
●	Slot Knob	IP 40	Thermoplastic	Reflow	3101.0070
●	Fingergrip	IP 40	Thermoplastic	Reflow	3101.0075

White and grey colours available on request

Packaging Unit

Bulk 186 x 91 x 91 mm (100 pcs.)
 xxxx.xxxx.D2 Blister Tape 38 cm Reel (250 pcs.)