

DC-inlet filter, ECO design, front- or rear side mounting

new



Front or rear side mounting
(Mating connector AMP Universal MATE-N-LOK or Molex MLX)



Rear side mounting
(as shown with Mating Connector Molex HCS-125 or mating connector AMP Universal MATE-N-LOK or Molex MLX)



Snap-In Version
Snap-in mounting from front side
(Mating connector AMP Universal MATE-N-LOK or Molex MLX)



Description

- Panel Mount:
 - Screw-on version from front or rear side, snap-in version from front side
- 2 Functions:
 - Appliance Inlet, DC line filter in standard version
- Quick connect terminals 6.3 x 0.8 mm
- Alternative: version 5120 for AC applications

Approvals

- VDE License Number: 40020642
- UL License Number: E72928

Characteristics

- Compact high-performance DC-filter
- Optimal shielding due to completely closed filter case, unpotted
- Applications:
 - Mission Critical Ethernet LAN Routers
 - High uptime Ethernet LAN Switches
 - Fiber Optic WAN Switches
 - Fiber Optic WAN Multiplexer

Other versions on request

- Snap-in for panel thickness >2mm to 3mm
- Solder terminals
- Quick-connect terminals 4.8 x 0.8 mm
- Capacity CY 5.5 nF
- with long earth pin in connector

References

[General Product Information](#)

Weblinks

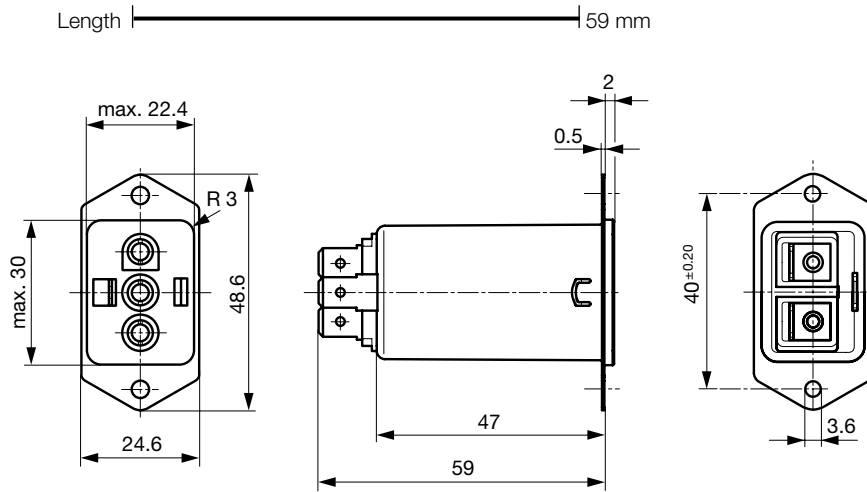
[Approvals](#), [RoHS](#), [CHINA-RoHS](#), [e-Store](#), [SCHURTER-Stock-Check](#), [Distributor-Stock-Check](#)

Technical Data

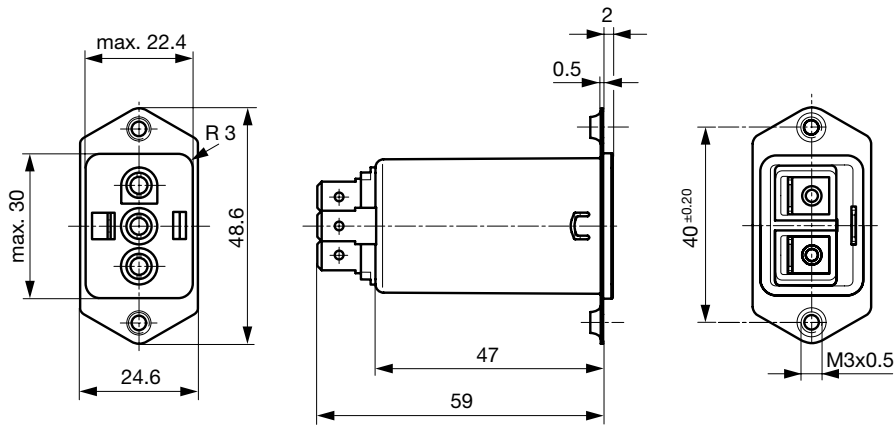
Ratings IEC	15A / 125VDC
Ratings UL/CSA	3 - 15A @ Ta 40 °C / 125VDC
Dielectric Strength	> 0.5kVDC between live parts of differential potentials > 1.1kVDC between protective conductor and live parts Test voltage (2 sec)
Allowable Operation Temp.	-25 °C to 85 °C
Climatic Category	25/085/21 acc. to IEC 60068-1
Protection Class	Suitable for appliances with protection class I
Terminal	Quick connect terminals 6.3 x 0.8 mm
Panel Thickness s	Screw-on: max 8 mm Mounting screw torque max 0.5Nm Snap-in: 0.8 mm to 2 mm (all steps with one variant)
Material: Housing	Thermoplast / steel tin-plated, black / metallic, UL 94V-0

Line Filter	DC Standard Version, UL 1283 Technical details
MTBF	> 3'900'000h acc. to MIL-HB-217 F

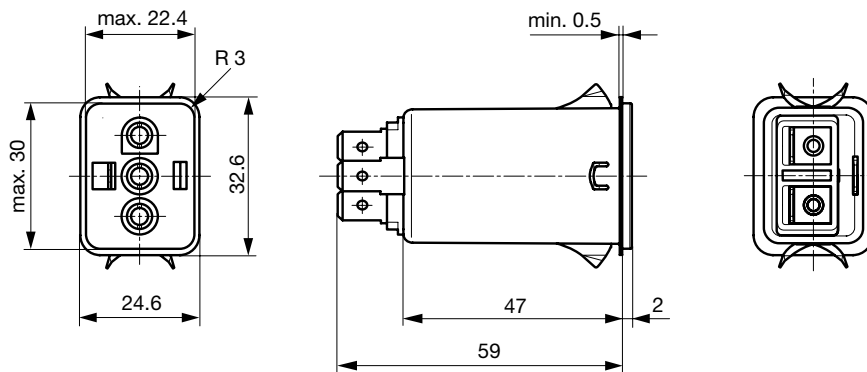
Dimensions



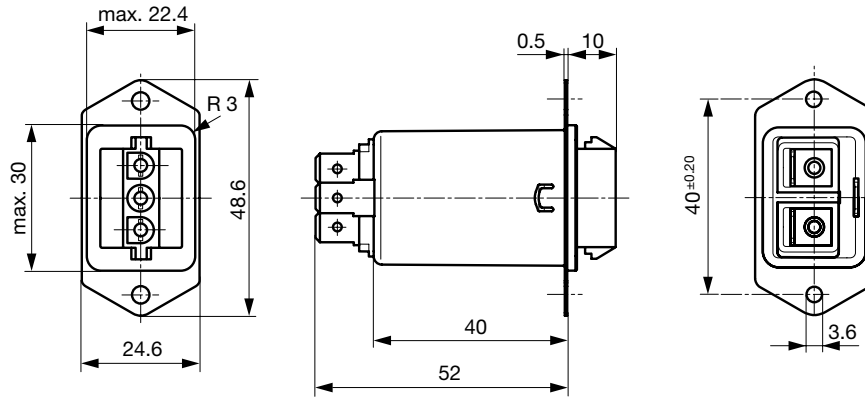
Mating Connector Molex HCS-125
Front- or rear side mounting for screws with nuts or blind rivets



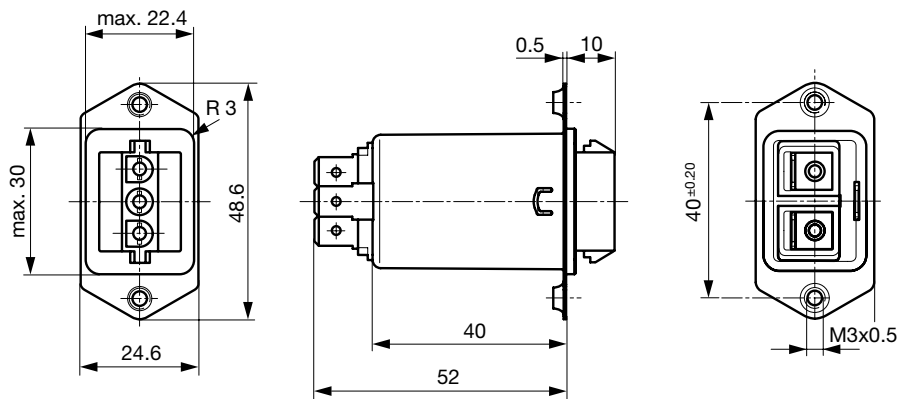
Mating Connector Molex HCS-125
Rear side mounting with pre-formed, threaded holes for M3 screws



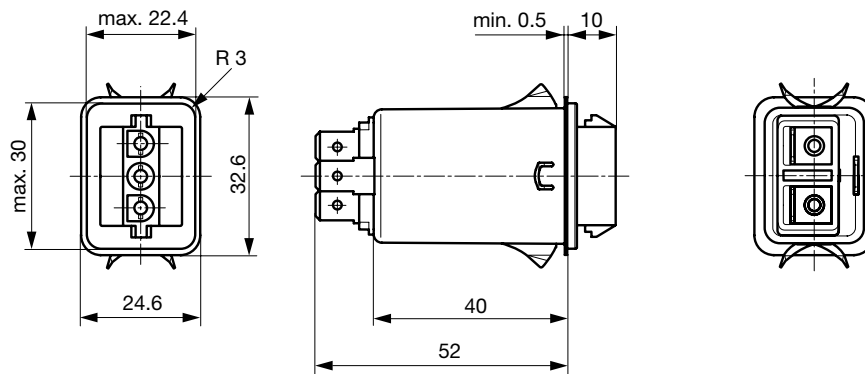
Mating Connector Molex HCS-125
Snap-in mounting from front side



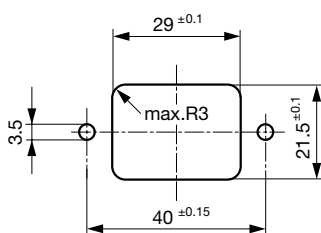
Mating Connector AMP Universal MATE-N-LOK oder Molex MLX
Front or rear side mounting for screws with nuts or blind rivets



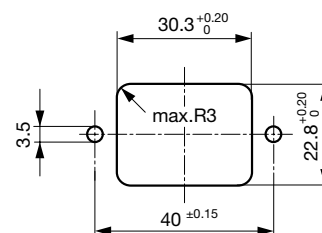
Mating Connector AMP Universal MATE-N-LOK oder Molex MLX
Rear side mounting with pre-formed, threaded holes for M3 screws



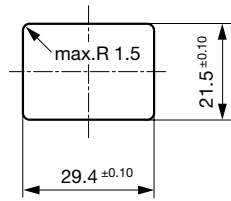
Mating Connector AMP Universal MATE-N-LOK oder Molex MLX
Snap-in mounting from front side



Panel cutout for front side mounting



Panel cutout for rear side mounting



Panel cutout for snap-in mounting

Mating Connector



Molex HCS-125
 Housing: Molex no. 03-12-1036
 Female terminal (3 needed per housing): Molex no. 18-12-1222

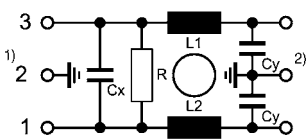


AMP Universal MATE-N-LOK
 Housing: AMP no. 1-480700-0
 Female terminal (3 needed per housing): AMP no. 926901-1
 Molex MLX
 Housing: Molex no. 50-84-1030
 Female terminal (3 needed per housing): Molex no. 02-08-1002

Technical Data of Filter-Components

Rated Current [A]	Filter-Type	Inductances L [mH]	Capacitance CX [nF]	Capacitance CY [nF]	R [MΩ]
3	DC Standard Version	2 x 4	100	4.7	1
6	DC Standard Version	2 x 0.8	100	4.7	1
10	DC Standard Version	2 x 0.4	100	4.7	1
15	DC Standard Version	2 x 0.1	100	4.7	1

Diagrams



1) Line
 2) Load

Attenuation Loss

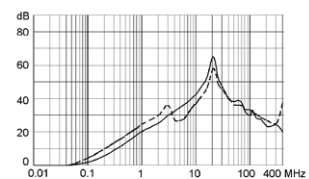
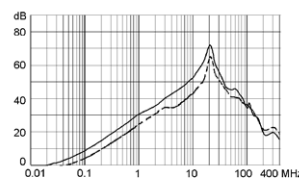
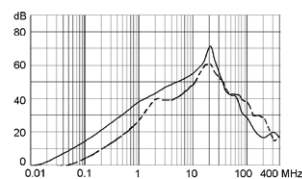
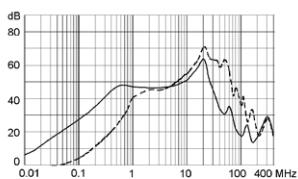
Standard version
 3 A

--- differential mode ____ common mode

6 A

10 A

15 A



Variants

Rated Current [A]	Panel mounting	Mounting side	Mating Connector	Order Number
3	Snap-in	Front-Side	Molex HCS-125	5003.0131.1
6	Snap-in	Front-Side	Molex HCS-125	5003.0231.1
10	Snap-in	Front-Side	Molex HCS-125	5003.0331.1
15	Snap-in	Front-Side	Molex HCS-125	5003.0431.1
3	Screw-on	Rear-Side	Molex HCS-125	5003.0121.1
6	Screw-on	Rear-Side	Molex HCS-125	5003.0221.1
10	Screw-on	Rear-Side	Molex HCS-125	5003.0321.1
15	Screw-on	Rear-Side	Molex HCS-125	5003.0421.1
3	Screw-on/Rivet	Front-/Rear-Side	Molex HCS-125	5003.0111.1
6	Screw-on/Rivet	Front-/Rear-Side	Molex HCS-125	5003.0211.1
10	Screw-on/Rivet	Front-/Rear-Side	Molex HCS-125	5003.0311.1
15	Screw-on/Rivet	Front-/Rear-Side	Molex HCS-125	5003.0411.1
3	Snap-in	Front-Side	AMP / Molex MLX	5003.1131.1
6	Snap-in	Front-Side	AMP / Molex MLX	5003.1231.1
10	Snap-in	Front-Side	AMP / Molex MLX	5003.1331.1
15	Snap-in	Front-Side	AMP / Molex MLX	5003.1431.1
3	Screw-on	Rear-Side	AMP / Molex MLX	5003.1121.1
6	Screw-on	Rear-Side	AMP / Molex MLX	5003.1221.1
10	Screw-on	Rear-Side	AMP / Molex MLX	5003.1321.1
15	Screw-on	Rear-Side	AMP / Molex MLX	5003.1421.1
3	Screw-on/Rivet	Front-/Rear-Side	AMP / Molex MLX	5003.1111.1
6	Screw-on/Rivet	Front-/Rear-Side	AMP / Molex MLX	5003.1211.1
10	Screw-on/Rivet	Front-/Rear-Side	AMP / Molex MLX	5003.1311.1
15	Screw-on/Rivet	Front-/Rear-Side	AMP / Molex MLX	5003.1411.1

Type for screw on mounting from rear side has pre-threaded holes for M3 screws

Packaging unit 10 Pcs

Accessory

Description



Assorted Covers
Rear Cover

0859.0048



Cord retaining kits
Cord retaining strain relieve

Flat head, Z	0888.0021
Flat head, E	4700.0005
Flat head, G	4700.0007