



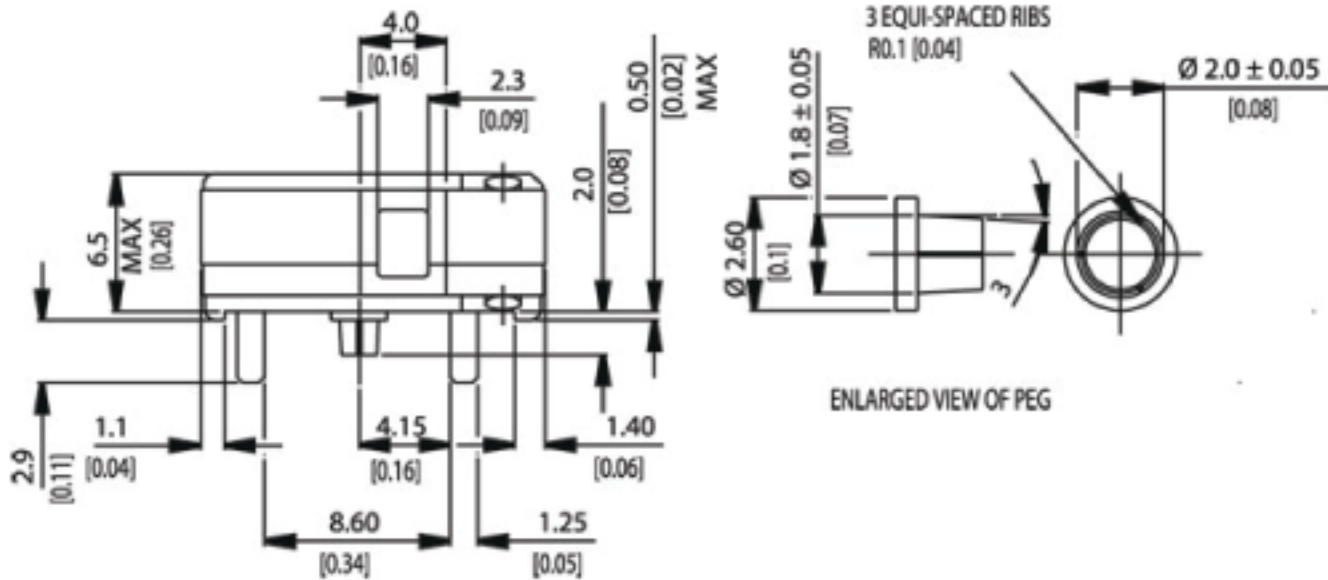
F1

Type	<ul style="list-style-type: none"> • Switches
Product type	<ul style="list-style-type: none"> • Burgess Ultraminiature Micro switch
Typical markets	<ul style="list-style-type: none"> • building automation & security • business machines • heating ventilation & air conditioning • industrial equipment & automation • distribution
Typical applications	<ul style="list-style-type: none"> • other home security • computer peripheries • central water heating (gas- or oil-fired) • industrial automations • international catalog distributors • regional distributors • sales partners • value added distribution partners • market specific distributors
Dimensions	<ul style="list-style-type: none"> • 16 x 6 x 6.5 mm
Characteristics	<ul style="list-style-type: none"> • small size • high current • long mechanical life • PCB mounting

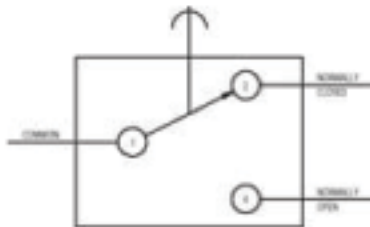


Rating	<ul style="list-style-type: none"> • 250 VAC, 5 A
Actuators	<ul style="list-style-type: none"> • plunger • plain lever • simulated roller lever / cam follower
Approvals/Quality	<ul style="list-style-type: none"> • UL • CSA

Dimensions



Circuits



Performance

Preferred range

Partnumber	Terminal	Actuator	Electrical rating @	
			ENEC	UL/CSA
<u>F1T8GPUL</u>	PCB	plunger	VAC A	250 VAC 5 A
<u>F1T8Y1GPUL</u>	PCB	lever 17.9 mm	VAC A	250 VAC 5 A



F1T8Y1GPUL

Dimensions	16 mm
Dimensions	6 mm
Dimensions	6.5 mm
Terminal	PCB
Circuit	CO
Protection	IP40
Actuator	lever 17.9 mm
Contacts	AgAu
Electrical rating UL/CSA	250 VAC
Actuating force	0.5 Nm
Release force	0.06 N
Free position (FP)	11 mm
Operating position (OP)	8,5 mm
Movement	0.5 mm
Total travel position (TP)	depress to case