



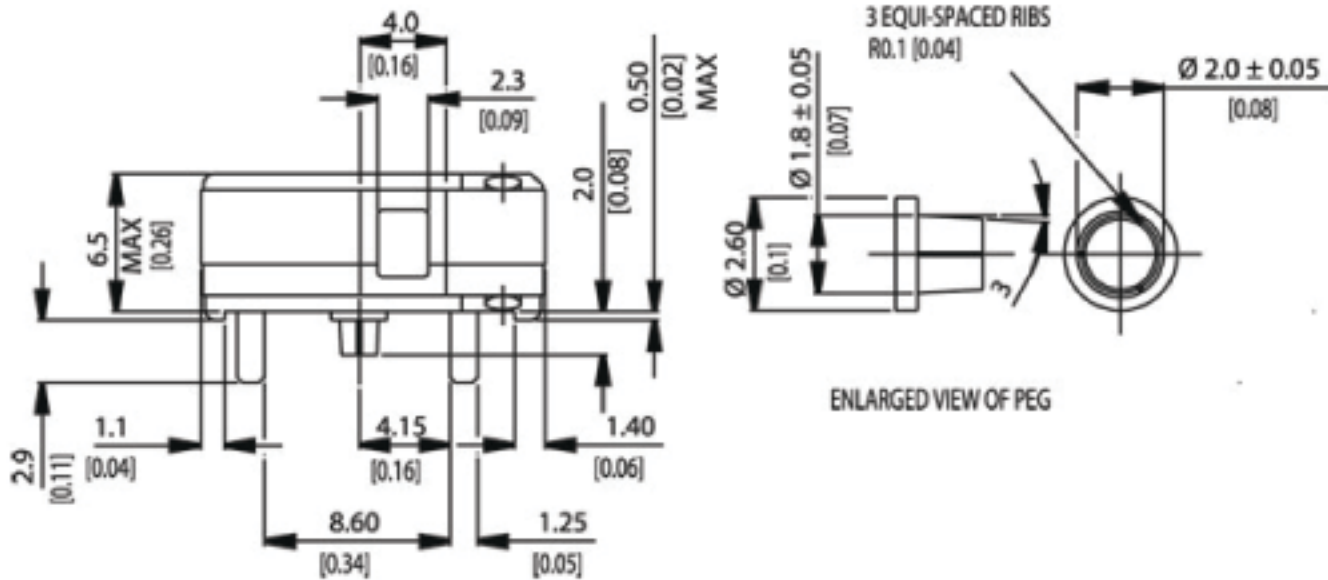
## F1

<b>Type</b>	<ul style="list-style-type: none"> <li>• Switches</li> </ul>
<b>Product type</b>	<ul style="list-style-type: none"> <li>• Burgess Ultraminiature Micro switch</li> </ul>
<b>Typical markets</b>	<ul style="list-style-type: none"> <li>• building automation &amp; security</li> <li>• business machines</li> <li>• heating ventilation &amp; air conditioning</li> <li>• industrial equipment &amp; automation</li> <li>• distribution</li> </ul>
<b>Typical applications</b>	<ul style="list-style-type: none"> <li>• other home security</li> <li>• computer peripheries</li> <li>• central water heating (gas- or oil-fired)</li> <li>• industrial automations</li> <li>• international catalog distributors</li> <li>• regional distributors</li> <li>• sales partners</li> <li>• value added distribution partners</li> <li>• market specific distributors</li> </ul>
<b>Dimensions</b>	<ul style="list-style-type: none"> <li>• 16 x 6 x 6.5 mm</li> </ul>
<b>Characteristics</b>	<ul style="list-style-type: none"> <li>• small size</li> <li>• high current</li> <li>• long mechanical life</li> <li>• PCB mounting</li> </ul>

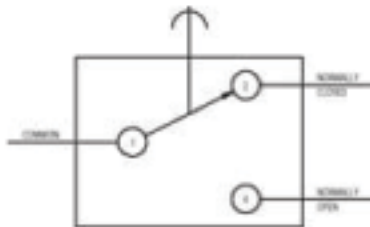


<b>Rating</b>	<ul style="list-style-type: none"> <li>• 250 VAC, 5 A</li> </ul>
<b>Actuators</b>	<ul style="list-style-type: none"> <li>• plunger</li> <li>• plain lever</li> <li>• simulated roller lever / cam follower</li> </ul>
<b>Approvals/Quality</b>	<ul style="list-style-type: none"> <li>• UL</li> <li>• CSA</li> </ul>

## Dimensions



## Circuits



## Performance

### Preferred range

Partnumber	Terminal	Actuator	Electrical rating @	
			ENEC	UL/CSA
<u>F1T8GPUL</u>	PCB	plunger	VAC A	250 VAC 5 A
<u>F1T8Y1GPUL</u>	PCB	lever 17.9 mm	VAC A	250 VAC 5 A



## F1T8GPUL

<b>Dimensions</b>	16 mm
<b>Dimensions</b>	6 mm
<b>Dimensions</b>	6.5 mm
<b>Terminal</b>	PCB
<b>Circuit</b>	CO
<b>Protection</b>	IP40
<b>Actuator</b>	plunger
<b>Contacts</b>	AgAu
<b>Electrical rating UL/CSA</b>	250 VAC
<b>Actuating force</b>	1.4 Nm
<b>Release force</b>	0.28 N
<b>Free position (FP)</b>	7.1 mm
<b>Operating position (OP)</b>	6.35 mm
<b>Movement</b>	0.1 mm
<b>Total travel position (TP)</b>	depress to case