
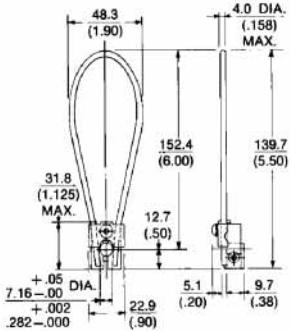

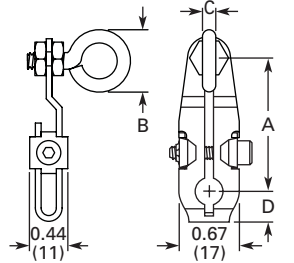



August 2007

**Model Selection — Rod Type Operators (for Rotary Head Switches: E50 Plug-In, E50 6P+, and 10316) (Continued)**


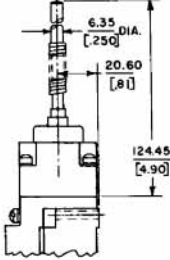

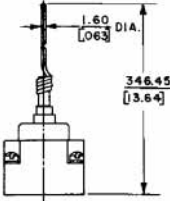

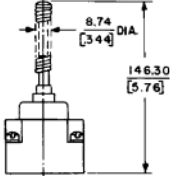
	Approximate Dimensions in Inches (mm)				Material	Minimum Required Return Torque <sup>②</sup>	Catalog Number	Approximate Dimensions in mm [Inches]
	A — Rod Length <sup>①</sup>	B — Rod Diameter	C	D				
	6.0 (152)	Ø: 0.158 (4.0)	—	—	Nylatron	0.40 in-oz	<b>E50KL142</b>	
	150 (38.1)	Ø: 0.1875 (4.8) Loop ID: 0.375 (9.5)	0.52 (13.1)	0.34 (8.6)	Zinc-Plated Steel	0.53 in-oz	<b>E50KL33</b>	


<sup>①</sup> Length from the operating shaft axis to tip.

<sup>②</sup> **Caution:** When selecting lever, the minimum required return torque of lever should not exceed minimum return force available in operating head as given in Operating Head specifications.

 Stocked product, typical order quantities guaranteed in stock.

**Model Selection — Wobble Type Operators**  
 (for E50DW1 Head on E50 Plug-In and E50 6P+ Switches)

	Catalog Number	Approximate Dimensions in mm [Inches] (Shown with E50DW1 Wobble Head)
 <p>Nylon Rod</p>	<b>E50KW2</b>	
 <p>Stainless Steel Rod</p>	<b>E50KW3</b>	
 <p>Coil Spring</p>	<b>E50KW4</b>	

 Stocked product, typical order quantities guaranteed in stock.