

Part Number

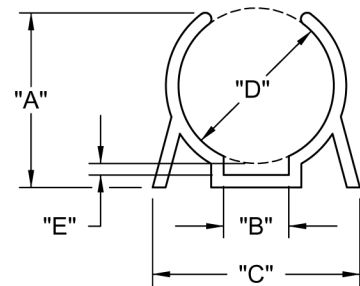
Description

[V-1004](#)

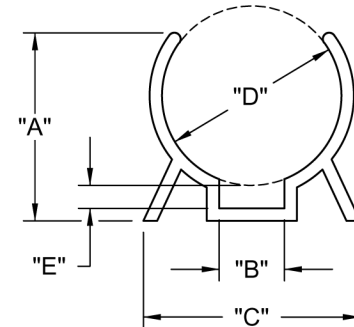
Clip,Screw Mnt,Black,.50" Hold Dia



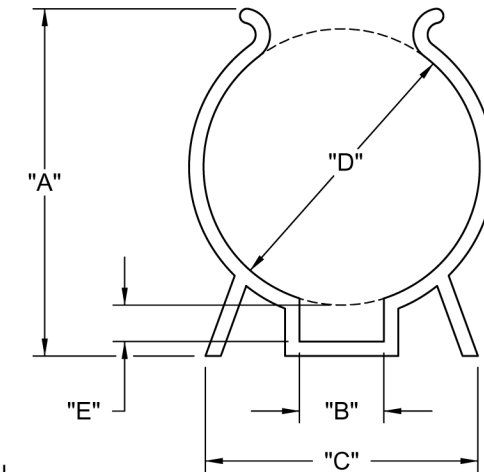
PART NO.	"A" REF.	"B" REF.	"C" REF.	"D" HOLDING DIA.	"E" REF.	"F" REF.	"G" ±.020 [0.5]	"H" REF.	"I" REF.	"L" ±.030 [0.8]	WALL REF.				
V-1000	.30 [7.5]	.19 [4.8]	.50 [12.7]	.25 [6.4]	.04 [1.0]	.094 [2.4]	.250 [6.4]	SINGLE HOLE IN CENTER	.135 [3.4]	.50 [12.7]	.040 [1.0]				
V-1001	.36 [9.1]			.31 [7.9]					.140 [3.6]		.045 [1.1]				
V-1002	.41 [10.3]			.38 [9.5]					.160 [4.1]		.050 [1.3]				
V-1003	.45 [11.5]	.22 [5.6]	.52 [13.1]	.44 [11.1]	.06 [1.5]	.094 [2.4]	.250 [6.4]	SINGLE HOLE IN CENTER	.185 [4.7]	.50 [12.7]	.060 [1.5]				
V-1004	.50 [12.7]			.66 [16.7]					.50 [12.7]		.235 [6.0]	.065 [1.7]			
V-1005	.61 [15.5]			.72 [18.3]					.56 [14.3]		.245 [6.2]				
V-1006	.63 [15.9]	.25 [6.4]	.83 [21.0]	.63 [15.9]	.04 [1.0]	.094 [2.4]	.250 [6.4]	SINGLE HOLE IN CENTER	.235 [6.0]	.50 [12.7]	.065 [1.7]				
V-1007	.63 [15.9]	.34 [8.6]	.84 [21.0]	.69 [17.6]					.04 [1.0]						
V-1008	.78 [19.8]	.36 [9.1]	.89 [22.6]	.75 [19.1]					.06 [1.5]						
V-1009	.91 [23.0]	.34 [8.6]	1.08 [27.4]	.88 [22.2]	.06 [1.5]	.094 [2.4]	.250 [6.4]	SINGLE HOLE IN CENTER	.235 [6.0]	.50 [12.7]	.065 [1.7]				
V-1010	.98 [25.0]			1.13 [28.6]					1.00 [25.4]			.12 [3.0]	.280 [7.1]	1.13 [28.5]	
V-1011	1.34 [34.1]			.41 [10.4]					1.25 [31.8]			1.38 [34.9]	.19 [4.8]	.295 [7.5]	1.75 [44.5]
V-1024	1.81 [46.0]	.44 [11.2]	1.42 [36.1]	1.50 [38.1]	.19 [4.8]	.094 [2.4]	.250 [6.4]	SINGLE HOLE IN CENTER	.295 [7.5]	.50 [12.7]	.075 [1.9]				
V-1028	1.92 [48.8]			1.50 [38.1]					1.75 [44.5]			.22 [5.6]	.343 [8.7]	1.50 [38.1]	.093 [2.4]
V-1030	2.44 [61.9]			.50 [12.7]					2.61 [66.3]			2.25-2.75 [57.1-69.9]		.375 [9.5]	



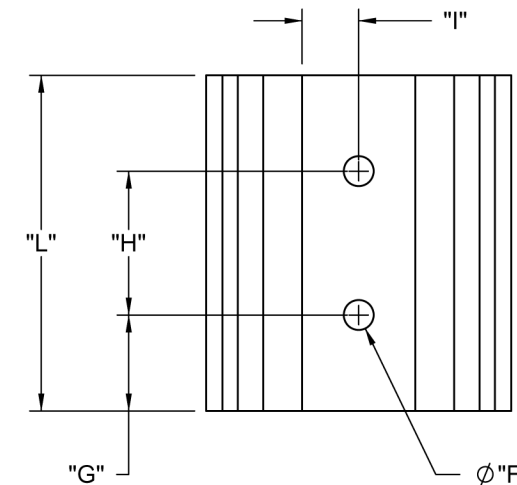
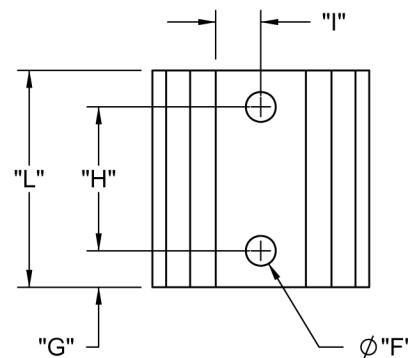
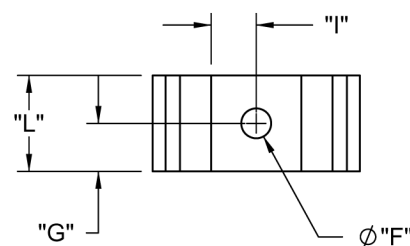
THIS STYLE ON
V-1000 THRU V-1009



THIS STYLE ON
V-1010 & V-1011



THIS STYLE ON
V-1024, V-1028, & V-1030



- NOTES:
1. MATERIAL: PVC (RMS-4)
2. COLOR: BLACK
3. DIMENSION "E" APPLIES TO PART WITH
NOMINAL DIA. ROD IN PLACE.
4. CUSTOM LENGTHS AVAILABLE BY
SPECIAL ORDER.

J	SEE CO # 200211 FOR CHANGES	SK	07/07/08
-	SEE ENGINEERING FOR REV A-I	-	-
REV.	DESCRIPTION	ENGR.	DATE

TITLE: COMPONENT CLIPS				DWG IN IN [MM]		FINAL	
CREATED USING SOLIDWORKS	FILE #: V-CLIPS	DWN: R.D.G.	APP: R.D.G.	PART #			
TOLERANCES UNLESS NOTED .XX=±.02 .XXX=±.015 FRAC.=±1/32 ANG.=±3°	SHEET: 1 OF 1	SHEET SIZE: B	DT: 06/23/08	CHKD: D.Z.	SEE TABLE		PRINT TYPE CA
RE: RICHCO, INC.		RICHCO, INC.					