

**Part Number**

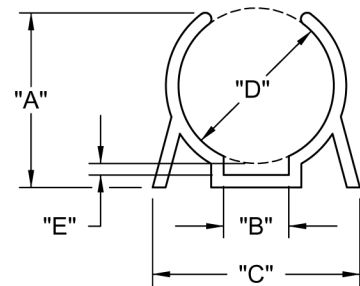
**Description**

[V-1001](#)

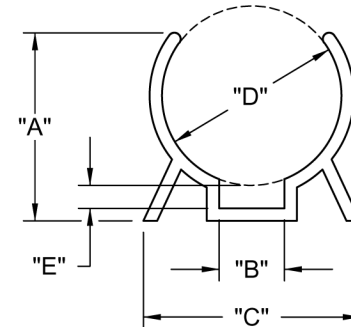
Clip,Screw Mnt,Black,.31" Hold Dia



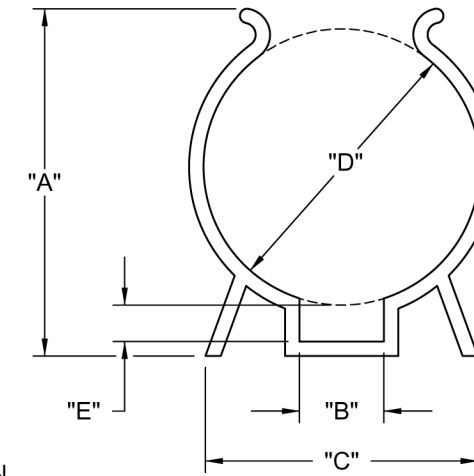
| PART NO. | "A" REF.    | "B" REF.   | "C" REF.    | "D" HOLDING DIA. | "E" REF.  | "F" REF.   | "G" ±.020<br>[0.5] | "H" REF.                    | "I" REF.    | "L" ±.030<br>[0.8] | WALL REF.  |                       |           |
|----------|-------------|------------|-------------|------------------|-----------|------------|--------------------|-----------------------------|-------------|--------------------|------------|-----------------------|-----------|
| V-1000   | .30 [7.5]   | .19 [4.8]  | .50 [12.7]  | .25 [6.4]        | .04 [1.0] | .094 [2.4] | .250 [6.4]         | SINGLE<br>HOLE IN<br>CENTER | .135 [3.4]  | .50 [12.7]         | .040 [1.0] |                       |           |
| V-1001   | .36 [9.1]   |            |             | .31 [7.9]        |           |            |                    |                             | .140 [3.6]  |                    | .045 [1.1] |                       |           |
| V-1002   | .41 [10.3]  |            |             | .38 [9.5]        |           |            |                    |                             | .160 [4.1]  |                    | .050 [1.3] |                       |           |
| V-1003   | .45 [11.5]  | .22 [5.6]  | .52 [13.1]  | .44 [11.1]       | .06 [1.5] | .094 [2.4] | .250 [6.4]         | SINGLE<br>HOLE IN<br>CENTER | .185 [4.7]  | .50 [12.7]         | .060 [1.5] |                       |           |
| V-1004   | .50 [12.7]  |            |             | .66 [16.7]       |           |            |                    |                             | .50 [12.7]  |                    | .235 [6.0] | .065 [1.7]            |           |
| V-1005   | .61 [15.5]  |            |             | .72 [18.3]       |           |            |                    |                             | .56 [14.3]  |                    | .245 [6.2] |                       |           |
| V-1006   | .63 [15.9]  | .25 [6.4]  | .83 [21.0]  | .63 [15.9]       | .04 [1.0] | .094 [2.4] | .250 [6.4]         | SINGLE<br>HOLE IN<br>CENTER | .235 [6.0]  | .50 [12.7]         | .065 [1.7] |                       |           |
| V-1007   | .63 [15.9]  | .34 [8.6]  | .84 [21.0]  | .69 [17.6]       |           |            |                    |                             | .04 [1.0]   |                    |            |                       |           |
| V-1008   | .78 [19.8]  | .36 [9.1]  | .89 [22.6]  | .75 [19.1]       |           |            |                    |                             | .06 [1.5]   |                    |            |                       |           |
| V-1009   | .91 [23.0]  | .34 [8.6]  | 1.08 [27.4] | .88 [22.2]       | .06 [1.5] | .094 [2.4] | .250 [6.4]         | SINGLE<br>HOLE IN<br>CENTER | .235 [6.0]  | .50 [12.7]         | .065 [1.7] |                       |           |
| V-1010   | .98 [25.0]  |            |             | 1.13 [28.6]      |           |            |                    |                             | 1.00 [25.4] |                    |            | .12 [3.0]             |           |
| V-1011   | 1.34 [34.1] |            |             | .41 [10.4]       |           |            |                    |                             | 1.25 [31.8] |                    |            | 1.38 [34.9]           | .19 [4.8] |
| V-1024   | 1.81 [46.0] | .44 [11.2] | 1.42 [36.1] | 1.50 [38.1]      | .19 [4.8] | .094 [2.4] | .250 [6.4]         | SINGLE<br>HOLE IN<br>CENTER | .280 [7.1]  | 1.13 [28.5]        | .075 [1.9] |                       |           |
| V-1028   | 1.92 [48.8] |            |             | 1.50 [38.1]      |           |            |                    |                             | 1.75 [44.5] |                    |            | .22 [5.6]             |           |
| V-1030   | 2.44 [61.9] |            |             | .50 [12.7]       |           |            |                    |                             | 2.61 [66.3] |                    |            | 2.25-2.75 [57.1-69.9] |           |
|          |             |            |             |                  |           |            | .190 [4.8]         | .75 [19.1]                  | .295 [7.5]  | 1.75 [44.5]        | .093 [2.4] |                       |           |
|          |             |            |             |                  |           |            | .500 [12.7]        |                             | .343 [8.7]  |                    |            | 1.50 [38.1]           |           |



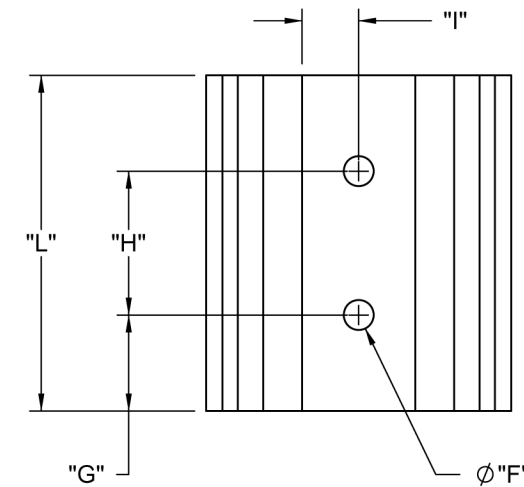
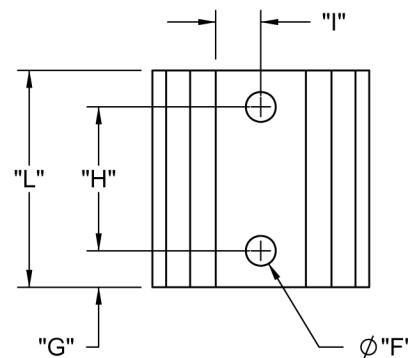
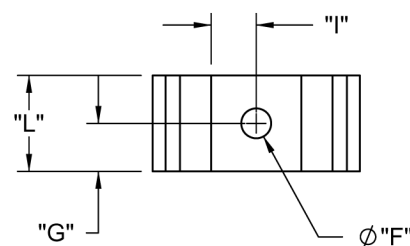
THIS STYLE ON  
V-1000 THRU V-1009



THIS STYLE ON  
V-1010 & V-1011



THIS STYLE ON  
V-1024, V-1028, & V-1030



- NOTES:  
1. MATERIAL: PVC (RMS-4)  
2. COLOR: BLACK  
3. DIMENSION "E" APPLIES TO PART WITH  
NOMINAL DIA. ROD IN PLACE.  
4. CUSTOM LENGTHS AVAILABLE BY  
SPECIAL ORDER.

| REV. | DESCRIPTION                 | ENGR. | DATE     |
|------|-----------------------------|-------|----------|
| J    | SEE CO # 200211 FOR CHANGES | SK    | 07/07/08 |
| -    | SEE ENGINEERING FOR REV A-I | -     | -        |

| TITLE: COMPONENT CLIPS  |                 |               |              | DWG IN IN [MM] |           | FINAL |                     |
|---|-----------------|---------------|--------------|----------------|-----------|-------|---------------------|
| CREATED USING<br>SOLIDWORKS   | FILE #: V-CLIPS | DWN: R.D.G.   | APP: R.D.G.  | PART #         |           |       |                     |
| TOLERANCES<br>UNLESS NOTED<br>.XX=±.02<br>.XXX=±.015<br>FRAC.=±1/32<br>ANG.=±3° | SHEET: 1 OF 1   | SHEET SIZE: B | DT: 06/23/08 | CHKD: D.Z.     | SEE TABLE |       | PRINT<br>TYPE<br>CA |
| RE: RICHCO, INC.  |                 | RICHCO, INC.  |              |                |           |       |                     |