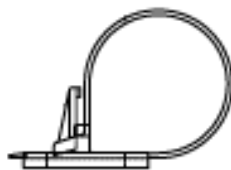
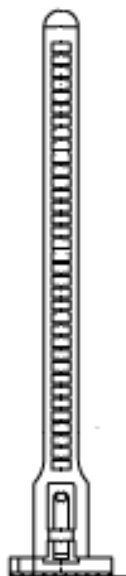

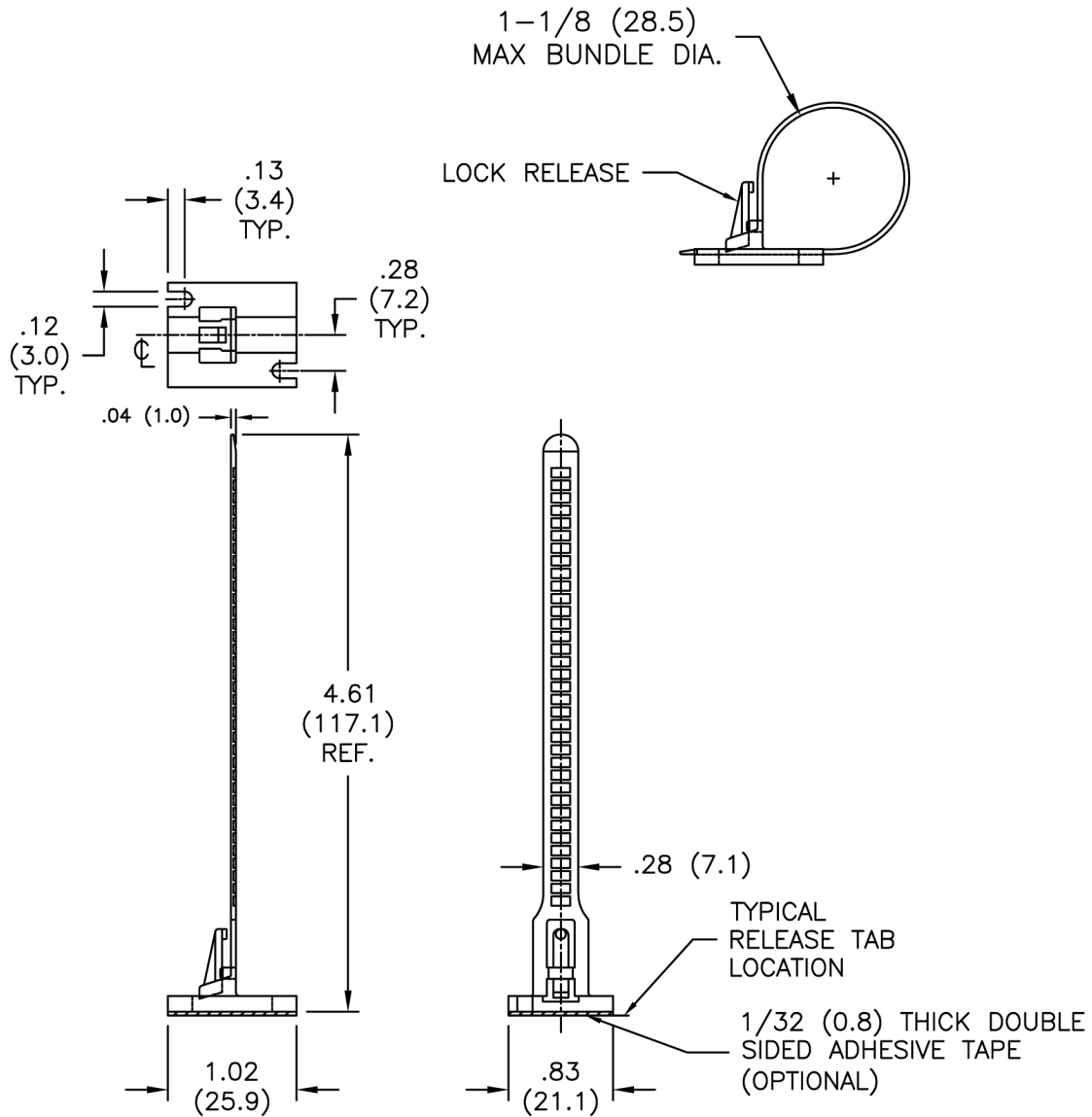


See "Part Drawing" for Details



Part Number	Description
TOBS-18-01	Cable Tie, No Ahd, Blk, 4.61" Lg, 18Lb 

PART NO.	DESCRIPTION
TOBS-18-01	WITHOUT TAPE
TOBS-18-01A-RT	WITH TAPE



NOTES:

- MAT'L: NYLON 66 (RMS-01)
COLOR: BLACK
- SLOTS TO ACCOMMODATE #4 SCREW.
- ACRYLIC ADHESIVE TAPE (RMS-15)

C	SEE CO 200067	SK 11.20.07
B	SEE ECN #951 FOR CHANGES	SK 02.25.05
A	SEE ECN #490 FOR CHANGES	SM 10.15.02
REV	DESCRIPTION	ENGR DATE

TITLE: TIE ON BASE, SCREW



TOLERANCES UNLESS NOTED .XX=±.010 .XXX=±.005 FRAC=±1/64 ANG=±1°	FILE # TOBS-18	DWN: J.B.	APP:	FINAL	
	MAT'L: SEE NOTES	DT: 07-21-97	DT:	PART #	PRINT
	RE: RICHCO, INC.	RICHCO INC.		SEE TABLE	TYPE CA