

Part Number

[SHC-16GF](#)

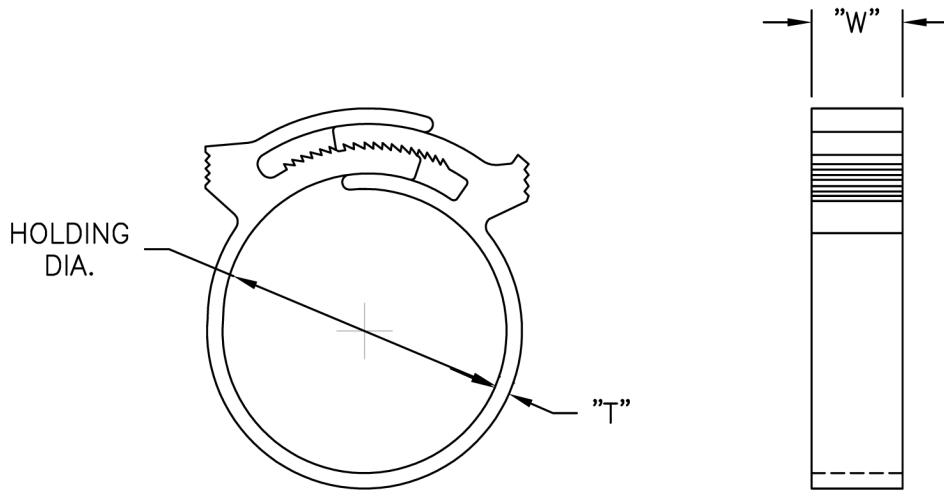
Description

Hose Clamp,Adj,Wht,1/4"-5/16"



PART NO.	HOLDING DIA. RANGE	THICKNESS "T"	WIDTH "W"
SHC 16GF*	1/4-5/16(6.4-7.9)	.04(1.0)	.13(3.3)
SHC 23	23/64-25/64(9.1-9.9)	.07(1.8)	.22(5.6)
SHC 26	25/64-15/32(9.9-11.9)		
SHC 30	15/32-17/32(11.9-13.5)		
SHC 32	17/32-19/32(13.5-15.1)		
SHC 38	19/32-21/32(15.1-16.7)		
SHC 44	11/16-13/16(17.5-20.6)		
SHC 50	3/4-7/8(19.1-22.2)		
SHC 56	7/8-1(22.2-25.4)		
SHC 62	61/64-1-3/32(24.2-27.8)		.31(7.9)
SHC 68	1-1/32-1-3/16(26.2-30.2)		
SHC 80	1-1/4-1-7/16(31.8-36.5)		
SHC 92	1-13/32-1-5/8(35.7-41.3)		
SHC 104	1-19/32-1-13/16(40.5-46.0)		.36(9.1)
SHC 114	1-45/64-2-1/32(43.3-51.6)		
SHC 124	1-7/8-2-1/8(47.6-54.0)		.40(10.2)
SHC 134	2-1/8-2-3/8(54.0-60.3)		

*SHC 16 AVAILABLE IN GLASS FILLED NYLON (RMS-35) ONLY.



NOTES:

- MATERIAL: NYLON 6/6 (RMS-73).
GLASS-FILLED NYLON (RMS-35),
AVAILABLE BY SPECIAL ORDER ONLY.
- COLOR: WHITE.
BLACK AVAILABLE BY SPECIAL ORDER ONLY.

D	SEE ECN #1114 FOR CHANGES	SK 12.15.05
C	RMS-73 WAS RMS-01	SM 04.16.02
B	ADDED SHC-16 RMS-35 NOTE	SJ 03.26.02
A	CHANGED FILE NO. AND TITLE BLOCK	SM 03.18.02
REV	DESCRIPTION	ENGR DATE

TITLE: SNAP-IT HOSE CLAMPS



DWG IN
IN (MM)

FINAL

TOLERANCES UNLESS NOTED .XX=±.010 .XXX=±.005 FRAC=±1/64 ANG=±1°	FILE # SHC MAT'L: SEE NOTES RE: RICHCO, INC.	DWN: JB DT: 12/21/95	APP: DT: RICHCO INC.	PART # SEE TABLE	PRINT TYPE CA
--	--	-------------------------	-------------------------	---------------------	---------------------