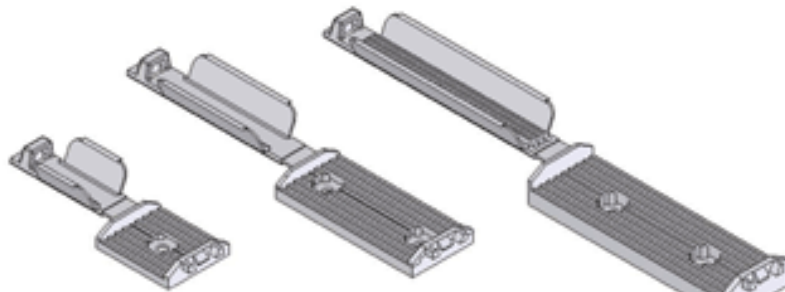
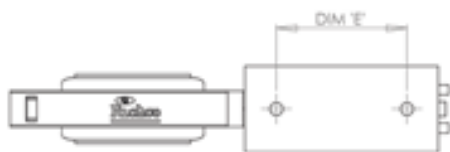


See Part Drawing For Details

Plan View of RDAFCC-25 showing single fixing hole location.



RDAFCC-25 With single fixing hole.

RDAFCC-50. With double fixing holes.

RDAFCC-82. With double fixing holes.

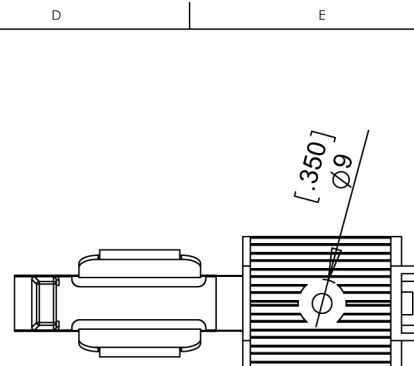
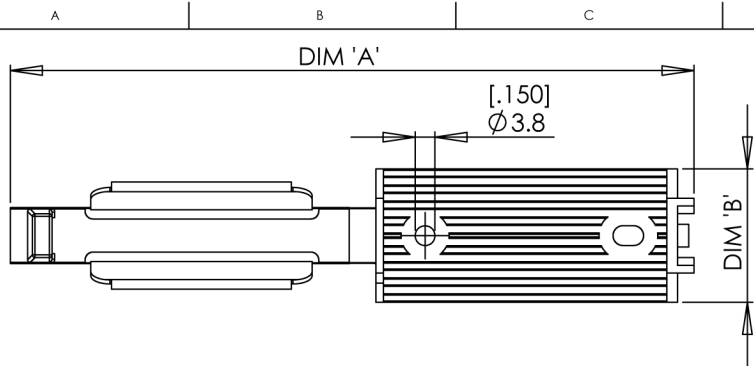
Part Number

Description

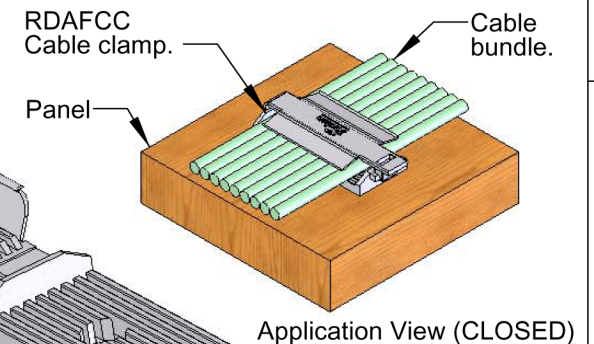
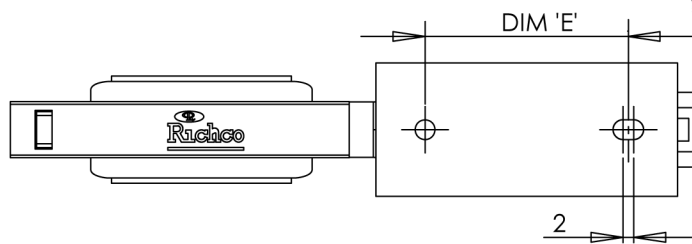
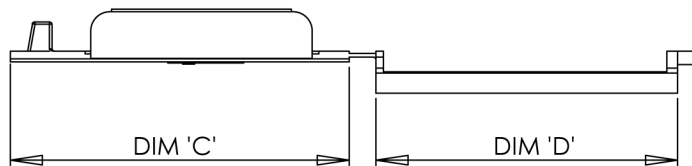
[RDAFCC-82A](#)

Clamp, Flat, Adh Mnt, Nat, 3" Max Wdt

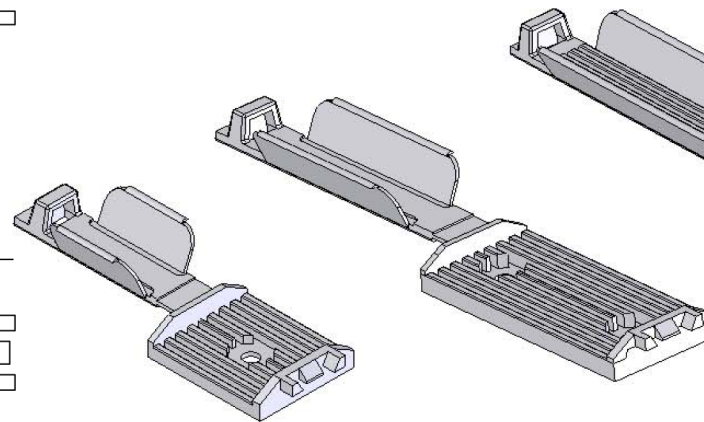




Plan View of RDAFCC-25 showing single fixing hole location.



Application View (CLOSED)



RDAFCC-25 With single fixing hole.

RDAFCC-50, With double fixing holes.

RDAFCC-82, With double fixing holes.

NOTES:

- 1a) Metric Primary units:mm.
- 1b) Imperial secondary units: [inches].
- 2) For mounting hole method with adhesive tape, (RMS-324), add 'A' to the end of the part number.
- 3) Recommended Max cable thickness: 5mm.
- 4) Recommended mounting screw - #6 (M3).
- 5) 'FLAME RETARDANT NYLON (RMS-19)' available by special order.

RDAFCC-82	179.4 [7.062]	25.4 [1.000]	88.5 [3.484]	82.8 [3.259]	38.0 [1.496]	76.2 [3.000]
RDAFCC-50	128.5 [5.059]	25.0 [.984]	63.5 [2.500]	56.5 [2.224]	38.0 [1.496]	50.8 [2.000]
RDAFCC-25	75.8 [2.984]	25.0 [.984]	37.9 [1.492]	29.7 [1.169]	N/A	25.4 [1.000]
PART No.	DIM 'A' (REF)	DIM 'B' (REF)	DIM 'C' (REF)	DIM 'D' (REF)	DIM 'E' C-C	MAXIMUM CABLE WIDTH

GENERAL TOLERANCES ±0.25 [0.010] UNLESS OTHERWISE STATED 1 DECIMAL PLACE ± 2 DECIMAL PLACES ± ANGULAR ±1°		THIRD ANGLE 	
		COLOUR: GREY	
MATERIAL: NYLON 6/6 UL94 V2 (RMS-01)		PART No: SEE TABLE	
DESCRIPTION: RDAFCC SERIES CABLE CLAMPS		DRG No: 06-144	
NPR No: 2005-130		SHEET SIZE A3	
DRN NJB	CHKD NBR	SCALE NTS	SHEET No. 1 OF 1