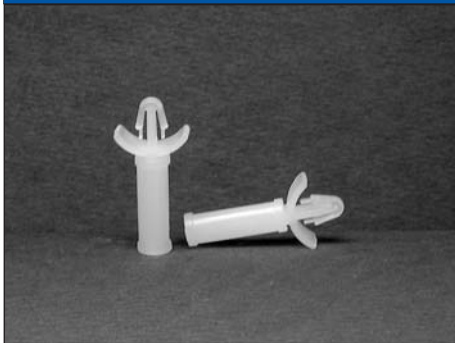
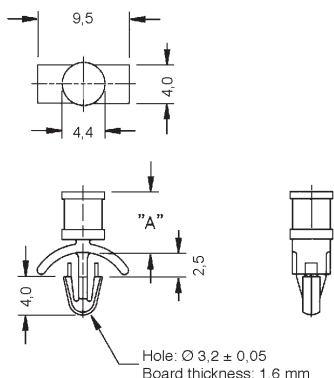


CIRCUIT BOARD HARDWARE



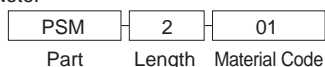
PSM

PUSH SPACER, MINIATURE

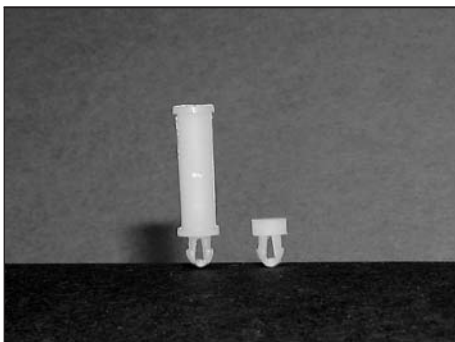


Part No.	"A" mm
PSM-2-01	3.2
PSM-3-01	4.8
PSM-4-01	6.4
PSM-5-01	7.9
PSM-6-01	9.5
PSM-7-01	11.1
PSM-8-01	12.7
PSM-9-01	14.3
PSM-10-01	15.9

Note:

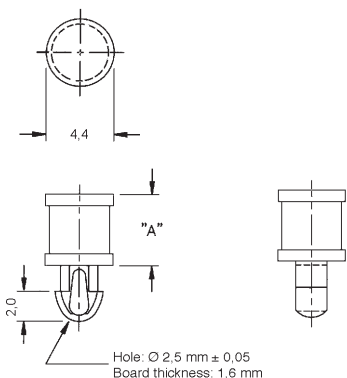


Material: Nylon 6/6 - natural; UL 94 V-2, RMS-01
or
Nylon 6/6 - natural; UL 94 V-0, RMS-19
Std. Pk.: 1.000 pcs.



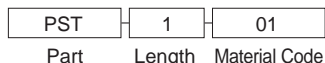
PST

PUSH SPACER, TEARDROP

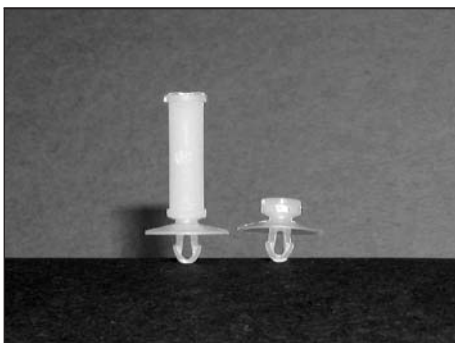


Part No.	"A" mm
PST-1-01	1.6
PST-2-01	3.2
PST-3-01	4.8
PST-4-01	6.4
PST-5-01	7.9
PST-6-01	9.5
PST-7-01	11.1
PST-8-01	12.7
PST-9-01	14.3
PST-10-01	15.9

Note:

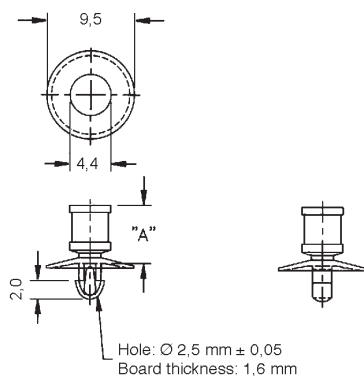


Material: Nylon 6/6 - natural; UL 94 V-2, RMS-01
or
Nylon 6/6 - natural; UL 94 V-0, RMS-19
Std. Pk.: 1.000 pcs.



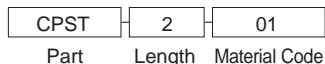
CPST

CUPPED PUSH SPACER, TEARDROP

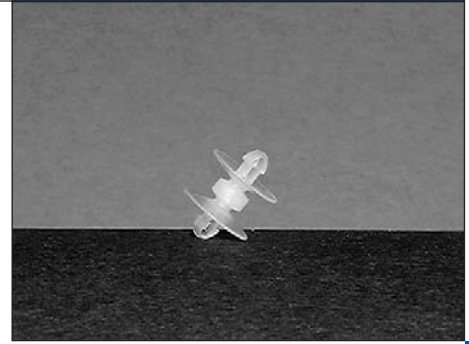


Part No.	"A" mm
CPST-2-01	3.2
CPST-3-01	4.8
CPST-4-01	6.4
CPST-5-01	7.9
CPST-6-01	9.5
CPST-7-01	11.1
CPST-8-01	12.7
CPST-9-01	14.3
CPST-10-01	15.9

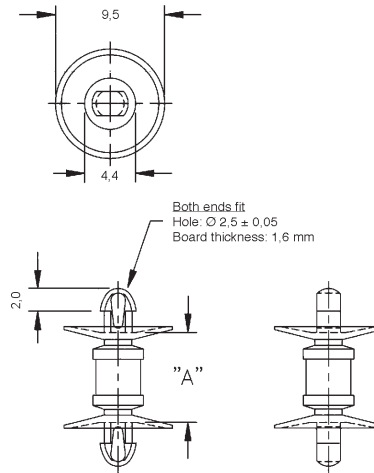
Note:



Material: Nylon 6/6 - natural; UL 94 V-2, RMS-01
or
Nylon 6/6 - natural; UL 94 V-0, RMS-19
Std. Pk.: 1.000 pcs.



Part No.	"A" mm
CDLCBST-3-01	4.8
CDLCBST-4-01	6.4
CDLCBST-5-01	7.9
CDLCBST-6-01	9.5
CDLCBST-7-01	11.1
CDLCBST-8-01	12.7
CDLCBST-9-01	14.3
CDLCBST-10-01	15.9



CDLCBST

CUPPED DUAL LOCKING
CIRCUIT BOARD SUPPORT, TEARDROP

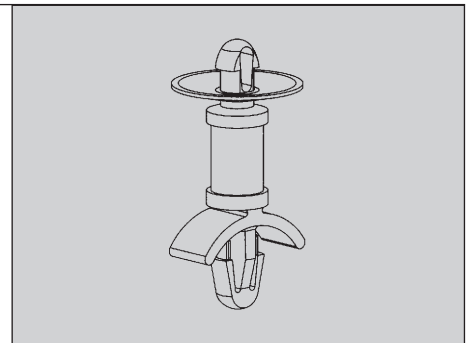
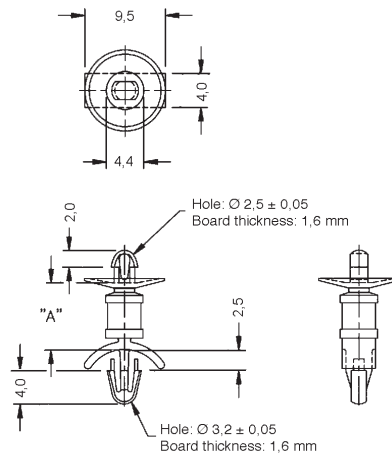
A

Material: Nylon 6/6 - natural; UL 94 V-2, RMS-01
by special order:
Nylon 6/6 - natural; UL 94 V-0, RMS-19
Std. Pk.: 1.000 pcs.

Note:

CDLCBST	2	01
Part	Length	Material Code

Part No.	"A" mm
CDLCBSAT-3-01	4.8
CDLCBSAT-4-01	6.4
CDLCBSAT-5-01	7.9
CDLCBSAT-6-01	9.5
CDLCBSAT-7-01	11.1
CDLCBSAT-8-01	12.7
CDLCBSAT-9-01	14.3
CDLCBSAT-10-01	15.9



CDLCBSAT

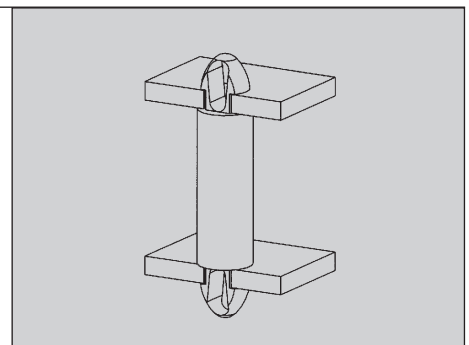
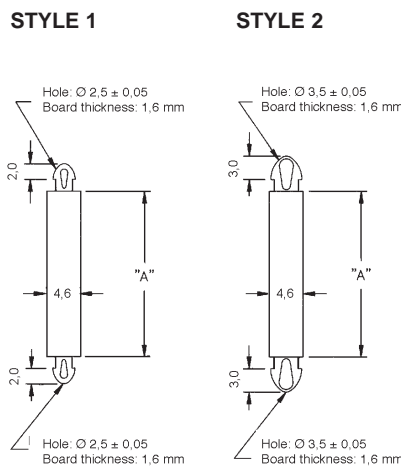
CUPPED DUAL LOCKING
CIRCUIT BOARD SUPPORT,
ARROWHEAD, TEARDROP

Material: Nylon 6/6 - natural; UL 94 V-2, RMS-01
by special order:
Nylon 6/6 - natural; UL 94 V-0, RMS-19
Std. Pk.: 1.000 pcs.

Note:

CDLCBSAT	2	01
Part	Length	Material Code

STYLE 1 Part No.	STYLE 2 Part No.	"A" mm
MDLSP-1-02M-01	MDLSP-2-02M-01	2.0
	MDLSP-2-03M-01	3.0
MDLSP-1-04M-01	MDLSP-2-04M-01	4.0
MDLSP-1-05M-01	MDLSP-2-05M-01	5.0
MDLSP-1-06M-01	MDLSP-2-06M-01	6.0
	MDLSP-2-07M-01	7.0
MDLSP-1-08M-01	MDLSP-2-08M-01	8.0
MDLSP-1-10M-01	MDLSP-2-10M-01	10.0
MDLSP-1-12M-01	MDLSP-2-12M-01	12.0
MDLSP-1-14M-01	MDLSP-2-14M-01	14.0
MDLSP-1-16M-01	MDLSP-2-16M-01	16.0
MDLSP-1-18M-01	MDLSP-2-18M-01	18.0
MDLSP-1-20M-01	MDLSP-2-20M-01	20.0
MDLSP-1-22M-01	MDLSP-2-22M-01	22.0
	MDLSP-2-23M-01	23.0
	MDLSP-2-41M-01	41.0



MDLSP-1/MDLSP-2

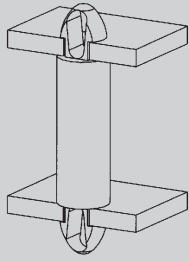
MINIATURE DUAL LOCKING SUPPORT POST

Material: Nylon 6/6 - natural; UL 94 V-2, RMS-01
or
Nylon 6/6 - natural; UL 94 V-0, RMS-19
Std. Pk.: 1.000 pcs.

Note:

MDLSP	1	06M	01
Part	Type	Length	Material Code

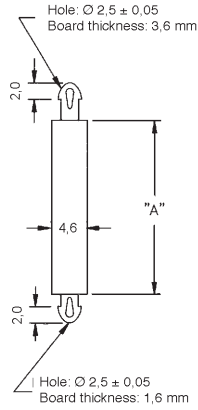
CIRCUIT BOARD HARDWARE



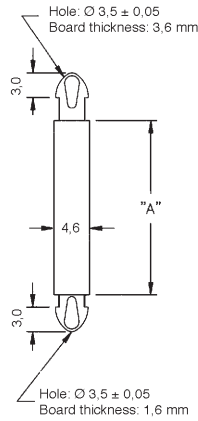
MDLSPK-1/MDLSPK-2

MINIATURE DUAL LOCKING SUPPORT POSTS FOR KEYPADS

STYLE 1



STYLE 2

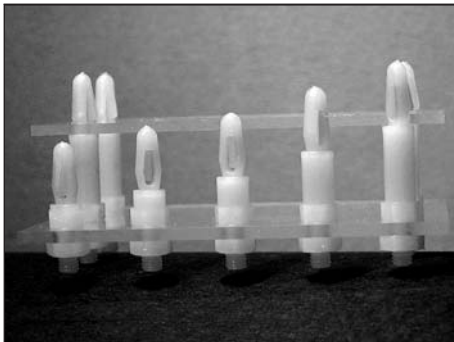


STYLE 1 Part No.	STYLE 2 Part No.	"A" mm
MDLSPK-1-02M-01	MDLSPK-2-02M-01	2.0
MDLSPK-1-04M-01	MDLSPK-2-04M-01	4.0
MDLSPK-1-06M-01	MDLSPK-2-06M-01	6.0
MDLSPK-1-08M-01	MDLSPK-2-08M-01	8.0
MDLSPK-1-10M-01	MDLSPK-2-10M-01	10.0
MDLSPK-1-12M-01	MDLSPK-2-12M-01	12.0
MDLSPK-1-14M-01	MDLSPK-2-14M-01	14.0
MDLSPK-1-16M-01	MDLSPK-2-16M-01	16.0
MDLSPK-1-18M-01	MDLSPK-2-18M-01	18.0
MDLSPK-1-20M-01	MDLSPK-2-20M-01	20.0
MDLSPK-1-22M-01	MDLSPK-2-22M-01	22.0

Note:

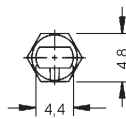
MDLSPK	1	18M	01
Part	Type	Length	Material Code

Material: Nylon 6/6 - natural; UL 94 V-2, RMS-01
or
Nylon 6/6 - natural; UL 94 V-0, RMS-19
Std. Pk.: 1.000 pcs.

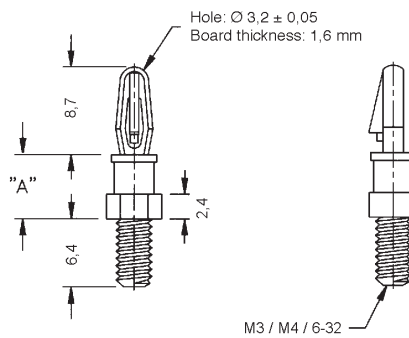


SCBSM/MSCBSM

STUDED CIRCUIT BOARD SUPPORT, MINIATURE



UNC 6-32 Thread Part No.		"A" mm
SCBSM-632-2-01	MSCBSM-M3-Series MSCBSM-M4-Series	3.2
SCBSM-632-3-01		4.8
SCBSM-632-4-01		6.4
SCBSM-632-5-01		7.9
SCBSM-632-6-01		9.5
SCBSM-632-7-01		11.1
SCBSM-632-8-01		12.7
SCBSM-632-9-01		4.3
SCBSM-632-10-01		15.9



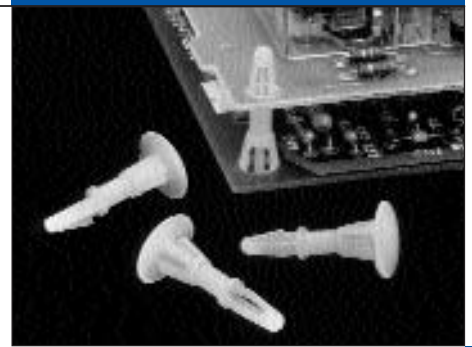
Note:

SCBSM	632	5	01
Part	Thread	Length	Material Code

Note:

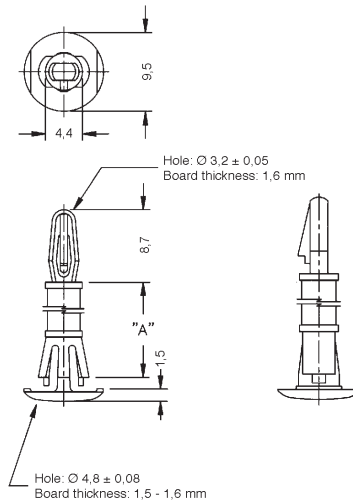
MSCBSM	M3	5	01
Part	Thread	Length	Material Code

Material: Nylon 6/6 - natural; UL 94 V-2, RMS-01
or
Nylon 6/6 - natural; UL 94 V-0, RMS-19
Std. Pk.: 1.000 pcs.



Part No.	"A" mm
RLCBSR-4-01	6.4
RLCBSR-5-01	7.9
RLCBSR-6-01	9.5
RLCBSR-7-01	11.1
RLCBSR-8-01	12.7
RLCBSR-9-01	14.3
RLCBSR-10-01	15.9

Part available in black by special order.



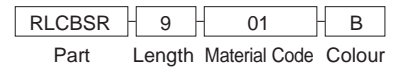
RLCBSR

REVERSE LOCKING CIRCUIT BOARD SUPPORT, ROUND HOLE

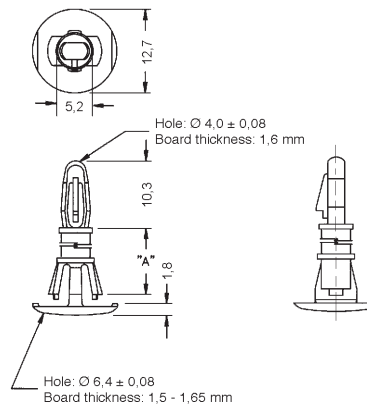
A

Material: Nylon 6/6 - natural; UL 94 V-2, RMS-01 or Nylon 6/6 - natural; UL 94 V-0, RMS-19
 Std. Pk.: 1.000 pcs.

Note:

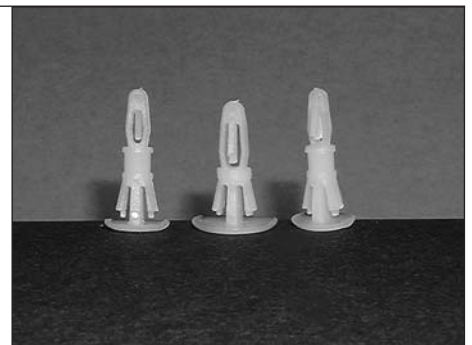


Part No.	"A" mm
RLCBSR-1-4-01	6.4
RLCBSR-1-6-01	9.5
RLCBSR-1-8-01	12.7
RLCBSR-1-10-01	15.9



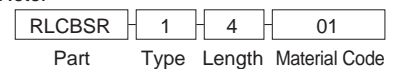
RLCBSR-1

REVERSE LOCKING CIRCUIT BOARD SUPPORT, ROUND HOLE, STYLE 1



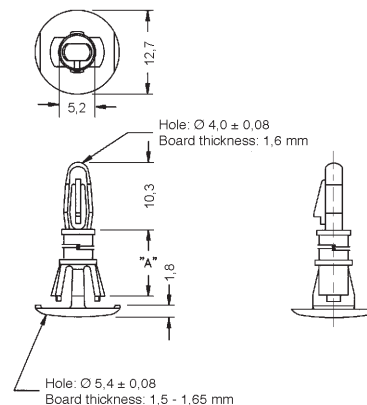
Material: Nylon 6/6 - natural; UL 94 V-2, RMS-01 or Nylon 6/6 - natural; UL 94 V-0, RMS-19
 Std. Pk.: 1.000 pcs.

Note:



Part No.	"A" mm
RLCBSRE-4-01	6.4
RLCBSRE-6-01	9.5
RLCBSRE-8-01	12.7
RLCBSRE-10-01	15.9

Part available in black by special order.



RLCBSRE

REVERSE LOCKING CIRCUIT BOARD SUPPORT, ROUND HOLE



Material: Nylon 6/6 - natural; UL 94 V-2, RMS-01 or Nylon 6/6 - natural; UL 94 V-0, RMS-19
 Std. Pk.: 1.000 pcs.

Note:

