

SEE TABLE FOR TAPE SPECIFICATION

TYPICAL RELEASE TAB LOCATION

**Part Number**

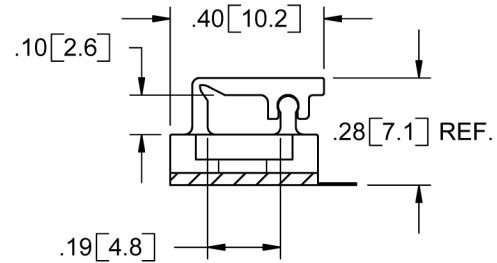
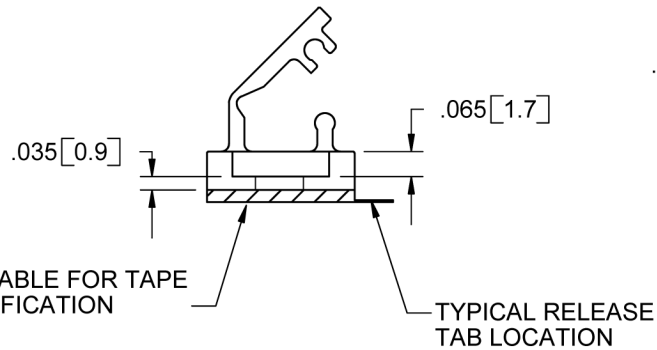
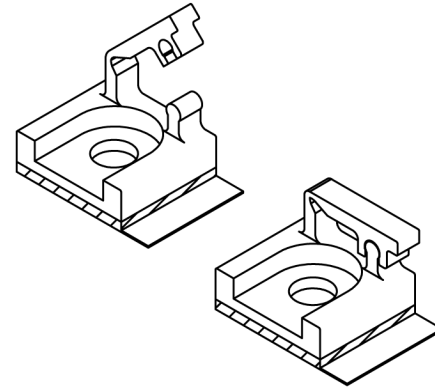
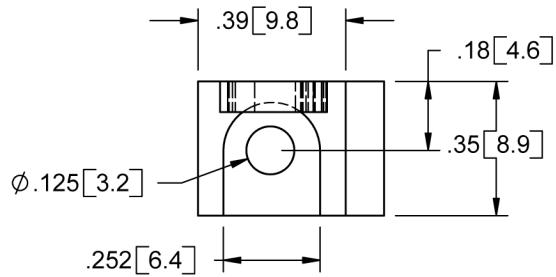
**Description**

[MWSLTB-1-19](#)

Micro Wr Sdl,Screw/Rvt Mnt,Natural



PART NUMBER	MOUNTING
MWSLTB-1-19A-RT	1/32 ACRYLIC ADHESIVE TAPE (RMS-15)
MWSLTB-1-19	#4 SCREW OR SR-30XX SERIES RIVETS



- NOTES:  
 1. MATERIAL: FLAME RETARDANT NYLON (RMS-19)  
 2. COLOR: NATURAL

TITLE: MICRO WIRE SADDLE LOCKING TOP ON BASE				DWG IN IN [MM]		FINAL			
CREATED USING SOLIDWORKS		FILE #: MWSLTB	DWN: DLC	APP: DLC		PART #		PRINT TYPE	
TOLERANCES UNLESS NOTED		SHEET: 1 OF 3	SHEET SIZE: A	DT: 11/11/02	CHKD: FL	SEE TABLE		CA	
		RE: RICHCO, INC.	RICHCO, INC.						
REV.	DESCRIPTION	ENGR.	DATE						

C	SEE ECN #534 FOR CHANGES	SM	12.16.02
B	ADDED OVERALL HEIGHT DIM .28 [7.1] (ECN #468)	S.M.	09/20/02
A	RELEASED FOR PRODUCTION	S.M.	09/18/02
	DESCRIPTION	ENGR.	DATE