

**Part Number**

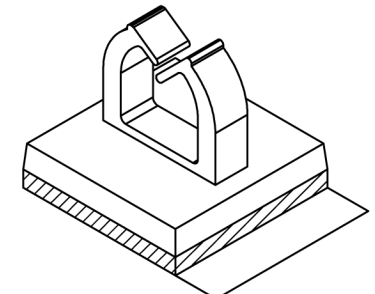
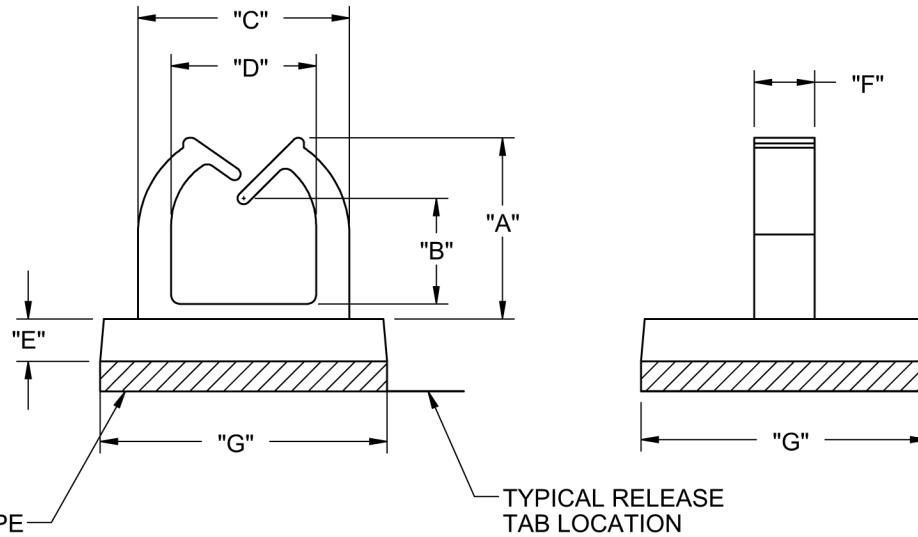
[MWSEB-2-01A-RT](#)

**Description**

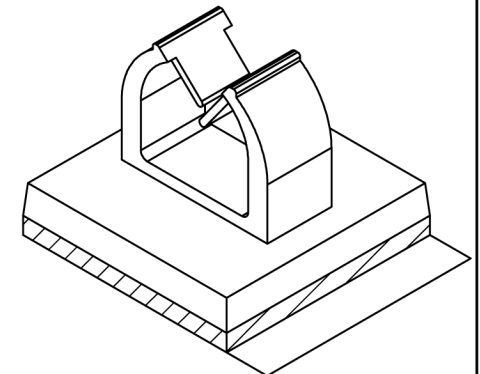
Micro Wire Saddle, Adh Mnt, Natural



MATERIAL: NYLON 6/6 UL 94 V-2 (RMS-01). COLOR: NATURAL. PART NO.	MATERIAL: NYLON 6/6 UL 94 V-0 (RMS-19). COLOR: NATURAL. PART NO.	"A" REF	"B" REF	"C" REF	"D" REF	"E" REF	"F" REF	"G" REF	STYLE
MWSEB-1-01A-RT	MWSEB-1-19A-RT	4 [.16]	1.3 [.05]	7 [.28]	4.8 [.19]	1.6 [.06]	2 [.08]	9.5 [.37]	1
MWSEB-2-01A-RT	MWSEB-2-19A-RT	6 [.24]	3.3 [.13]	7 [.28]	4.8 [.19]	1.6 [.06]	2 [.08]	9.5 [.37]	1
MWSEB-3-01A-RT	MWSEB-3-19A-RT	7.3 [.29]	3 [.12]	9 [.35]	6.6 [.26]	2 [.08]	4 [.16]	12.7 [.50]	2
MWSEB-4-01A-RT	MWSEB-4-19A-RT	9.2 [.36]	4.8 [.19]	10.8 [.43]	8 [.32]	2 [.08]	4 [.16]	12.7 [.50]	2
MWSEB-5-01A-RT	MWSEB-5-19A-RT	11.2 [.44]	5.8 [.23]	11.9 [.47]	9.1 [.36]	2 [.08]	4 [.16]	12.7 [.50]	2
MWSEB-6-01A-RT	MWSEB-6-19A-RT	13 [.51]	8.4 [.33]	12 [.47]	9.2 [.36]	2 [.08]	4 [.16]	12.7 [.50]	2



STYLE 1



STYLE 2

NOTES:

- ACRYLIC BASED ADHESIVE FOAM TAPE (RMS-15). PARTS ALSO AVAILABLE WITHOUT THE ADHESIVE BY SPECIAL ORDER. TO ORDER REMOVE "A-RT" FROM THE PART NO.
- ALTERNATE UNITS FOR REFERENCE ONLY

REV.			DESCRIPTION			ENGR. DATE			TITLE: MICRO WIRE SADDLE ON BASE			DWG IN MM [IN]		FINAL		PRINT TYPE	
J	SEE CO 200133 FOR CHANGES	SK	02/26/08	CREATED USING SOLIDWORKS	FILE #: MWSEB	DWN: SK	APP: RT	PART #		SEE TABLE		CA		GENERAL TOLERANCE UNLESS OTHERWISE NOTED		±0.25 ANG. ±1°	
I	SEE ECN #1361 FOR CHANGES	SK	08/31/07	FILE #: MWSEB	SHEET: 1 OF 1	DT: 10/13/06	CHKD: RG	PART #		SEE TABLE		CA		RE: RICHCO, INC.		RICHCO, INC.	
H	SEE ECN #1234 FOR CHANGES	SK	10/17/06	FILE #: MWSEB	SHEET: 1 OF 1	DT: 10/13/06	CHKD: RG	PART #		SEE TABLE		CA		RE: RICHCO, INC.		RICHCO, INC.	
-	SEE ENG FOR REV A-G	-	-	FILE #: MWSEB	SHEET: 1 OF 1	DT: 10/13/06	CHKD: RG	PART #		SEE TABLE		CA		RE: RICHCO, INC.		RICHCO, INC.	