

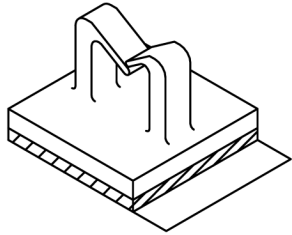
**Part Number**

[MWSB-1-19A-RT](#)

**Description**

Micro Wire Saddle, Adh Mnt, Natural



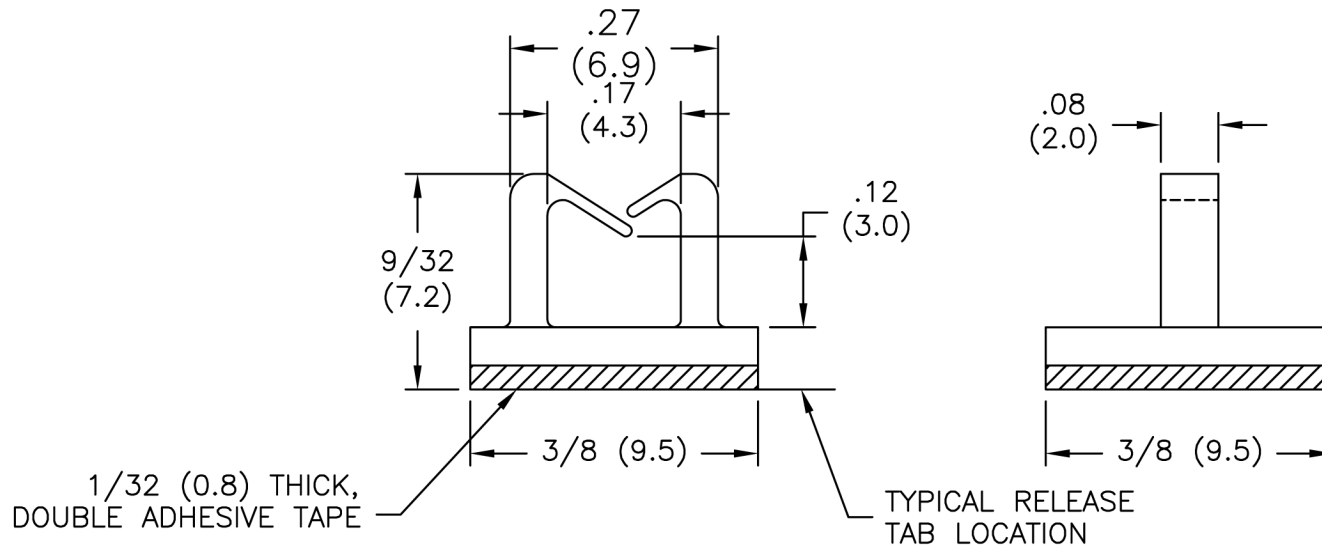


MAT'L: NYLON 66,  
(RMS-01),  
COLOR: NATURAL.  
PART NO.

MAT'L: FLAME RET.  
NYLON 66 (RMS-19),  
COLOR: NATURAL.  
PART NO.

MWSB-1-01A-RT

MWSB-1-19A-RT



NOTES:

1. TAPE: ACRYLIC ADHESIVE TAPE (RMS-15)

SEE ECN #1312 FOR CHANGES			SK 04.11.07			TITLE: MICRO WIRE SADDLE ON BASE			DWG IN IN (MM)			
RMS-19 MADE AS STANDARD AND CHANGED FILE NO.			SM 04.24.01			TOLERANCES UNLESS NOTED		FILE # MWSB1		DWN: P.B.		APP:
MAT'L RMS-19 ADDED			J.L. 12.10.97			.XX=±.010		MAT'L: SEE TABLE		DT: 07-11-94		DT:
CONVERTED TO ACAD; FILE NO. WAS 05020			PB 07.11.94			.XXX=±.005		RE: RICHCO, INC.		RICHCO INC.		PART #
RELEASE TAB (RT) ADDED			RS 03.05.93			FRAC=±1/64						SEE TABLE
DESCRIPTION			ENGR DATE			ANG=±1°						PRINT TYPE
												CA