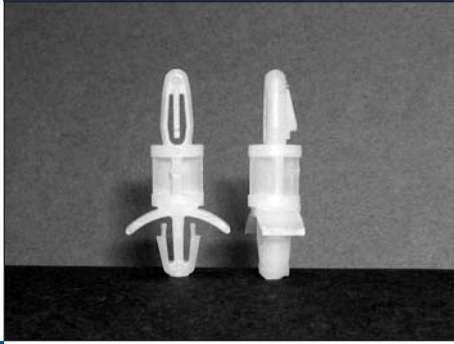


# CIRCUIT BOARD HARDWARE



## LCBS

LOCKING CIRCUIT BOARD SUPPORT

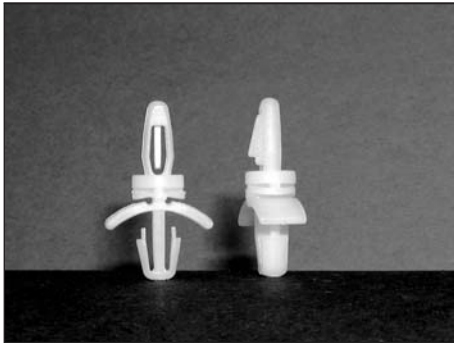
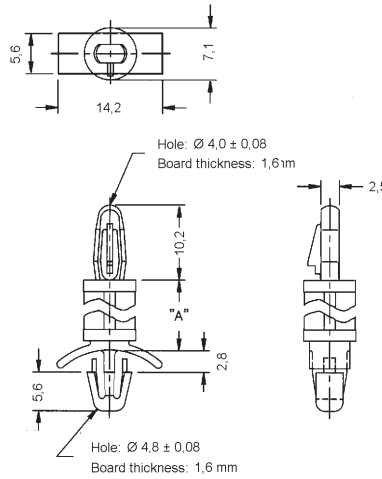
Note:

LCBS	3	01
Part	Length	Material Code

Material: Nylon 6/6 - natural; UL 94 V-2, RMS-01  
 or  
 Nylon 6/6 - natural; UL 94 V-0, RMS-19  
 Std. Pk.: 1.000 pcs.

Part No.	"A" mm
LCBS-3-01	4.8
LCBS-4-01	6.4
LCBS-5-01	7.9
LCBS-6-01	9.5
LCBS-7-01	11.1
LCBS-8-01	12.7
LCBS-10-01	15.9
LCBS-12-01	19.1
LCBS-14-01	22.2
LCBS-16-01	25.4
LCBS-18-01	28.6
LCBS-20-01	31.7
LCBS-22-01	34.9

Patent No. 3,777,052 & 3,909,883



## LCBS-2

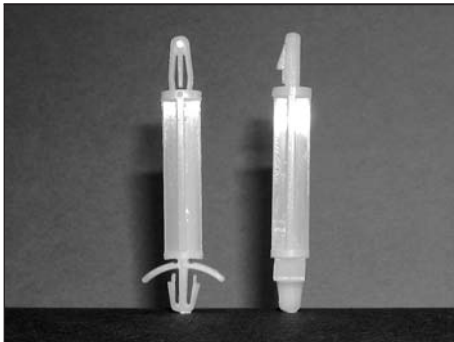
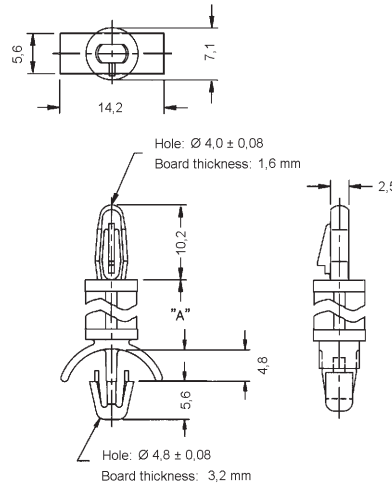
LOCKING CIRCUIT BOARD SUPPORT FOR 3.2 MM PANEL

Note:

LCBS	2	8	01
Part	Type	Length	Material Code

Material: Nylon 6/6 - natural; UL 94 V-2, RMS-01  
 or  
 Nylon 6/6 - natural; UL 94 V-0, RMS-19  
 Std. Pk.: 1.000 pcs.

Part No.	"A" mm
LCBS-2-3-01	4.8
LCBS-2-4-01	6.4
LCBS-2-5-01	7.9
LCBS-2-6-01	9.5
LCBS-2-7-01	11.1
LCBS-2-8-01	12.7
LCBS-2-10-01	15.9
LCBS-2-12-01	19.1
LCBS-2-14-01	22.2
LCBS-2-16-01	25.4
LCBS-2-18-01	28.6
LCBS-2-20-01	31.7
LCBS-2-22-01	34.9



## LCBS-3

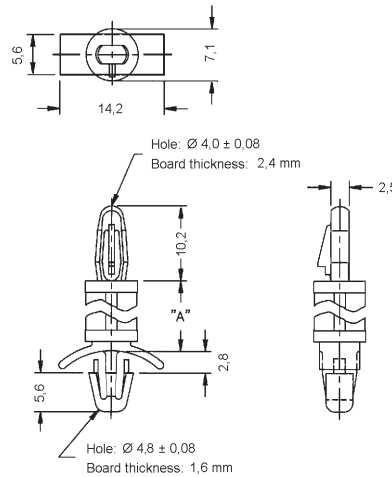
LOCKING CIRCUIT BOARD SUPPORT

Note:

LCBS	3	8	01
Part	Type	Length	Material Code

Material: Nylon 6/6 - natural; UL 94 V-2, RMS-01  
 or  
 Nylon 6/6 - natural; UL 94 V-0, RMS-19  
 Std. Pk.: 1.000 pcs.

Part No.	"A" mm
LCBS-3-3-01	4.8
LCBS-3-4-01	6.4
LCBS-3-5-01	7.9
LCBS-3-6-01	9.5
LCBS-3-7-01	11.1
LCBS-3-8-01	12.7
LCBS-3-10-01	15.9
LCBS-3-12-01	19.1
LCBS-3-14-01	22.2
LCBS-3-16-01	25.4
LCBS-3-18-01	28.6
LCBS-3-20-01	31.7
LCBS-3-22-01	34.9



## BUMPERS AND FEET

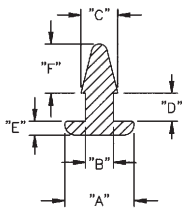


### POF

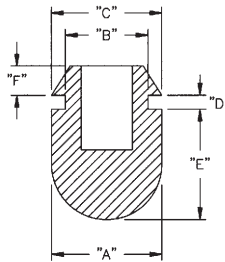
PUSH ON FEET

Part No.	"A" Ø mm	"B" Ø mm	"C" Ø mm	"D" mm	"E" mm	"F" mm	Style
POF-40022	7.9	3.2	4.3	3.3	1.5	4.1	1
POF-40048	7.9	3.7	5.8	1.5	2.3	3.6	1
POF-40059	12.7	9.5	12.2	1.5	12.7	3.6	2
POF-50185	13.7	6.3	7.6	2.0	4.6	8.9	3
POF-12664	15.7	7.0	8.6	1.3	5.1	4.1	3

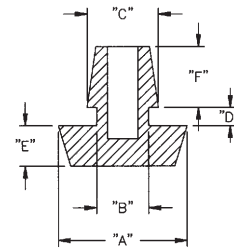
STYLE 1



STYLE 2



STYLE 3

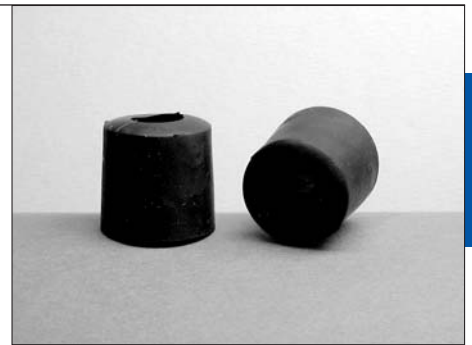


Material: flexible PVC - black  
RMS-25, Shore A55  
Std. Pk.: 100 pcs.

Note:

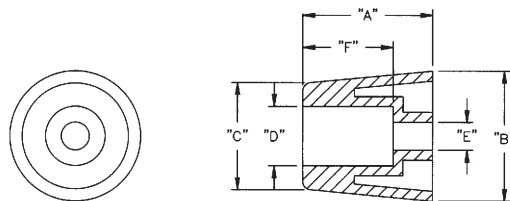
POF	40022
Part	Type

Part No.	"A" mm	"B" Ø mm	"C" Ø mm	"D" Ø mm	"E" Ø mm	"F" mm
SOF-15129	7.1	16.0	13.5	7.9	3.3	4.1
SOF-15140	9.4	17.5	17.5	7.9	4.1	5.1
SOF-15125	11.7	19.6	18.3	10.2	4.8	6.4
SOF-15111	15.2	19.1	12.7	7.9	4.1	4.8
SOF-15127	18.3	18.3	17.5	7.9	4.8	7.9
SOF-15126	25.4	21.6	12.7	8.1	4.1	14.2



### SOF

STICK ON FEET

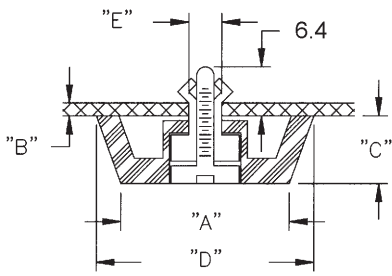


Material: thermoplastic rubber - black  
RMS-125  
Std. Pk.: 100 pcs.

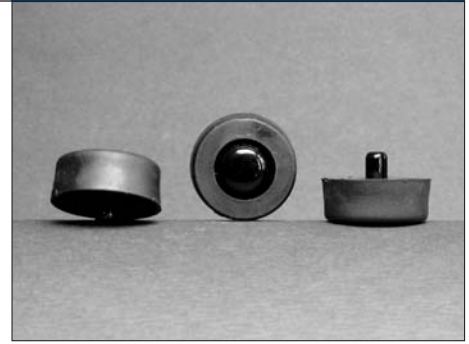
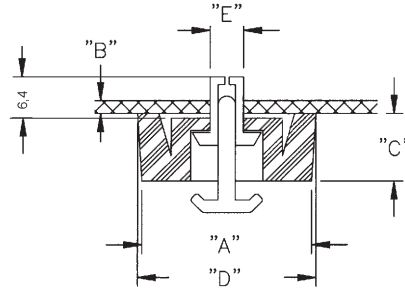
Note:

SOF	15140
Part	Type

STYLE 1



STYLE 2



FF

FAST FEET

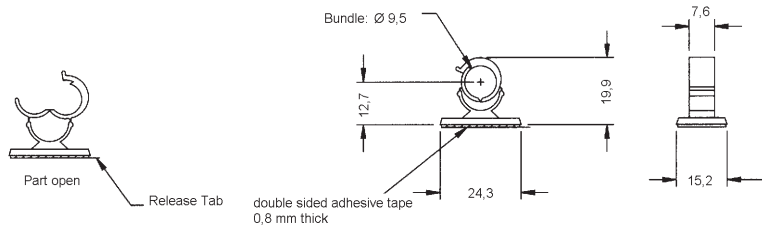
Part No.	Hole "E" mm	"B" mm	"A" mm	"C" mm	"D" mm	Style			
FF-001B	5.0 - 5.1	1.0 - 2.3	20.0	14.0	24.0	1			
FF-004B		1.0 - 2.3	18.0	10.0	20.0				
FF-003-P3X5.5B	3.1 - 3.2	0.8 - 1.8	13.5	5.5	14.2	2			
FF-005-P4X5B	4.1 - 4.2	0.8 - 1.8	20.0	4.2	21.0				
FF-005-P4X6B		1.8 - 2.8							
FF-005-P4X7B		2.9 - 3.7							
FF-005-P4X8B		3.8 - 4.8							
FF-006-P4X6B	5.1 - 5.2	0.6 - 1.0	14.0	6.0	15.0				
FF-006-P4X7B		1.0 - 2.0							
FF-006-P4X8B		2.0 - 3.1							
FF-006-P5X6.5B	5.1 - 5.2	0.8 - 1.2	20.0	6.0	21.0				
FF-008-P4X6B	4.1 - 4.2	0.8 - 1.8							
FF-008-P4X7B		1.9 - 2.8							
FF-008-P4X8B		2.9 - 4.0							
FF-009-P4X6B		0.1 - 0.8							
FF-009-P4X7B		0.8 - 2.0							
FF-009-P4X8B		2.1 - 3.1							
FF-010-P4X6B	5.1 - 5.2	0.6 - 1.0					14.0	9.0	15.0
FF-010-P4X7B		1.0 - 2.0							
FF-010-P4X8B		2.0 - 3.1							
FF-010-P5X6.5B	3.6 - 3.7	0.8 - 1.2	10.0	4.0	10.8				
FF-010-P5X7.5B		1.2 - 2.2							
FF-013-P3.5X4.5B	3.6 - 3.7	0.5 - 1.2							
FF-013-P3.5X5.5B		1.2 - 2.0							
FF-013-P3.5X6B		1.5 - 2.2							
FF-013-P3.5X7B		2.5 - 3.2							
FF-013-P3.5X8B		3.5 - 4.2							

Material:  
 Foot: thermoplastic rubber  
 black, UL 94 HB, RMS-76  
 Rivet:  
 Style 1: Acetal - black, UL 94 HB, RMS-14  
 Style 2: Nylon 6 - black, UL 94 V-2, RMS-28  
 Std. Pk.: 100 pcs.

Note:  

FF	001B
Part	Size

# WIRE ROUTING, CLIPS AND CLAMPS



## KSK-3140

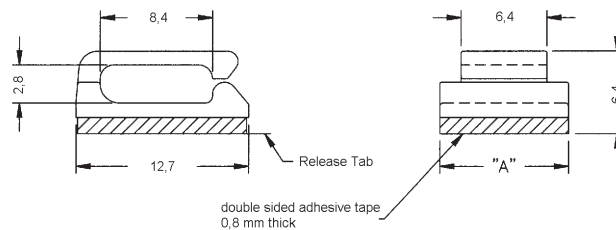
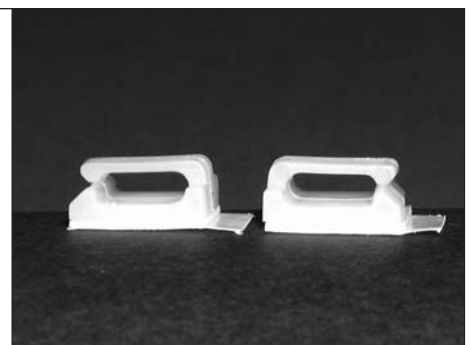
KLICKING STICKY KLIP

Material: Nylon 6/6 - black  
 Adh. Tape: Working temperature -20°C – +50°C  
 Std. Pk.: 1.000 pcs.

Note:

KSK	3140	A-RT
Part	Size	with Tape

Part No.	"A" mm
MWSSEB-1-01A-RT	9.5
MWSSEBE-1-01A-RT	12.7



## MWSSEB/MWSSEBE

MINIATURE WIRE SADDLE ON BASE

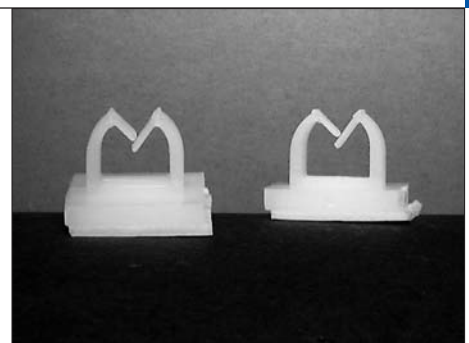
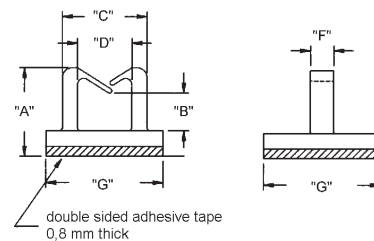
Material: Nylon 6/6 - natural, UL 94 V-2, RMS-01  
 Adh. Tape: Working temperature -20°C – +50°C  
 Std. Pk.: 1.000 pcs.

Note:

MWSSEB	1	01	A-RT
Part	Size	Material Code	with Tape

Part No.	"A" mm	"B" mm	"C" mm	"D" mm	"E" mm	"F" mm	"G" mm
MWSB-1-01A-RT	7.2	3.0	6.9	4.3	-	2.0	9.5
MWSEB-1-01A-RT	4.1	1.0	7.1	4.6	1.5	2.0	9.4
MWSEB-2-01A-RT	6.1	2.8					
MWSEB-3-01A-RT	7.4	3.0	9.1	6.4	2.0	4.1	12.7
MWSEB-4-01A-RT	9.1	4.1	10.7	7.9			
MWSEB-5-01A-RT	11.2	6.1	11.9	8.9			
MWSEB-6-01A-RT	13.0	7.6					

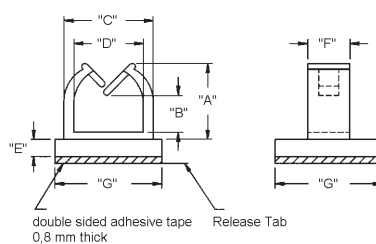
### MWSB



## MWSB/MWSEB

MINIATURE WIRE SADDLE ON BASE

### MWSEB



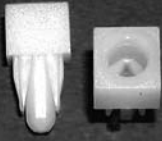
Material: Nylon 6/6 - natural, UL 94 V-2, RMS-01 or Nylon 6/6 - natural, UL 94 V-0, RMS-19  
 Adh. Tape: Working temperature -20°C – +50°C  
 Std. Pk.: 1.000 pcs.

Note:

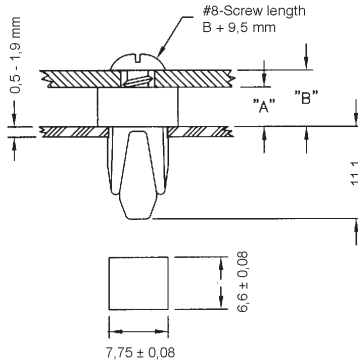
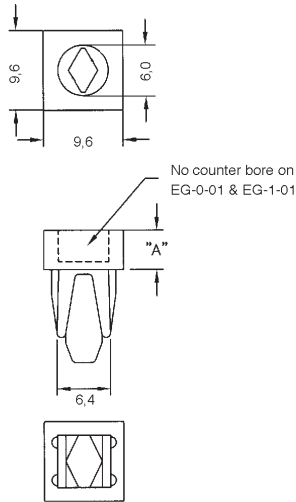
MWSEB	1	01	A-RT
Part	Size	Material Code	with Tape

UL N° E71558

# CIRCUIT BOARD HARDWARE



**EG**  
EXPANSION GROMMET

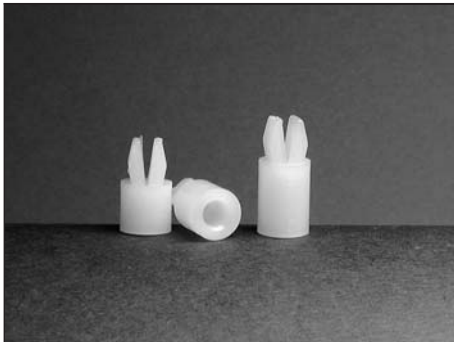


Part No.	"A" ± 0.4 mm
EG-0-01	0.8
EG-1-01	1.6
EG-2-01	3.2
EG-3-01	4.8
EG-4-01	6.4
EG-5-01	7.9
EG-6-01	9.5
EG-7-01	11.1
EG-8-01	12.7

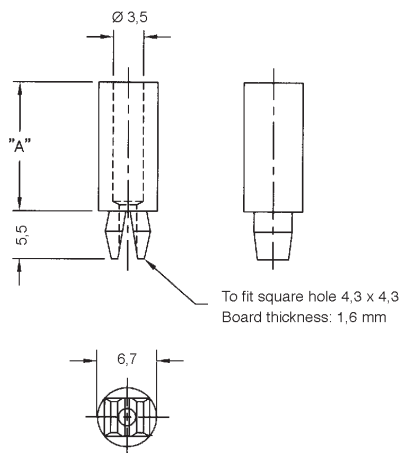
Note:

EG	4	01
Part	Length	Material Code

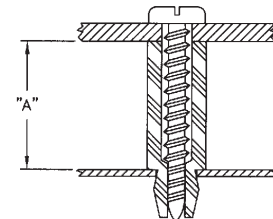
Material: Nylon 6/6 - natural; UL 94 V-2, RMS-01  
Std. Pk.: 1.000 pcs.



**MSNE**  
MINIATURE STANDOFF NUT



Part No.	"A" ± 0.4 mm
MSNE-2-01	3.2
MSNE-4M-01	4.0
MSNE-3-01	4.8
MSNE-4-01	6.4
MSNE-8M-01	8.0
MSNE-6-01	9.5
MSNE-8-01	12.7
MSNE-10-01	15.9
MSNE-12-01	19.1

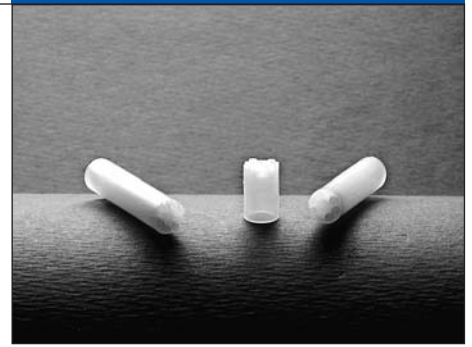


Note:

MSNE	2-01
Part	Length

Material: Nylon 6/6 - natural; UL 94 V-2, RMS-01  
or  
Nylon 6/6 - natural; UL 94 V-0, RMS-19  
Std. Pk.: 1.000 pcs.

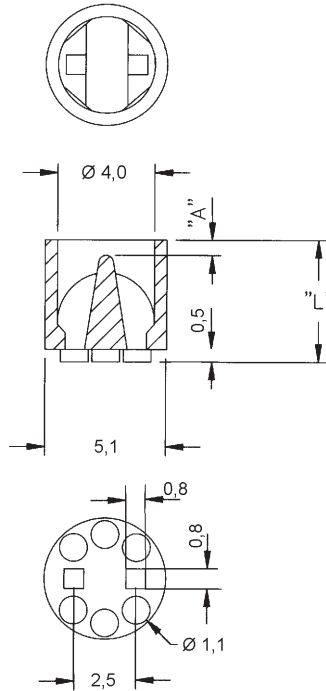
# GROMMETS & BUSHINGS, LED SPACERS AND INSULATORS



## LEDS2M

LED SPACER WITH INTERNAL TAPERED DESIGN  
FOR 5 MM-LED

Part No.	"L" mm	"A" mm
LEDS2M-120-01	3.1	1.0
LEDS2M-140-01	3.6	1.5
LEDS2M-160-01	4.1	2.0
LEDS2M-180-48	4.6	2.5
LEDS2M-200-01	5.1	3.1
LEDS2M-220-01	5.6	3.6
LEDS2M-240-01	6.1	4.1
LEDS2M-250-01	6.4	1.1
LEDS2M-260-48	6.6	1.4
LEDS2M-280-48	7.1	1.9
LEDS2M-300-01	7.6	2.4
LEDS2M-320-01	8.1	2.9
LEDS2M-340-48	8.6	3.4
LEDS2M-350-48	8.9	3.7
LEDS2M-360-48	9.1	3.9
LEDS2M-380-48	9.7	1.3
LEDS2M-400-01	10.2	1.8
LEDS2M-420-48	10.7	2.3
LEDS2M-440-48	11.2	2.8
LEDS2M-450-48	11.4	3.1
LEDS2M-460-48	11.7	3.3
LEDS2M-480-01	12.2	3.8
LEDS2M-500-01	12.7	1.1
LEDS2M-550-48	14.0	2.4
LEDS2M-600-48	15.2	3.7
LEDS2M-650-48	16.5	1.8
LEDS2M-700-48	17.8	3.1
LEDS2M-750-48	19.1	1.1
LEDS2M-800-48	20.3	2.4
LEDS2M-850-48	21.6	3.7
LEDS2M-900-48	22.9	5.0



Material: Nylon 6/6 - natural; UL 94 V-2, RMS-48  
Std. Pk.: 1.000 pcs.

Features: • Internal tapered design allows for quick and easy inserting of LED

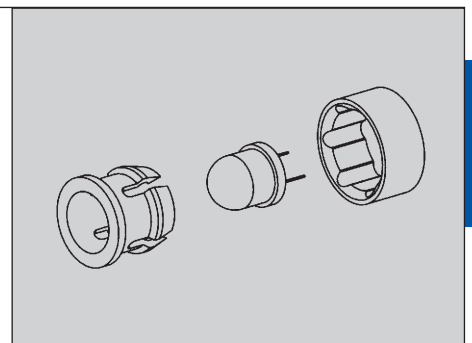
Note:

LEDS2M	120	48
Part	Type	Material Code

Part No.	LED Type	"A" mm	"B" mm	"C" mm	"D" mm	"E" mm
LEDCR-104	3.0 mm	5.3	5.3	0.4	6.1	3.6
LEDCR-174	5.0 mm	7.6	6.6	0.8	8.9	4.1

Mounting Hole: LEDCR-104 = 4.4mm - 4.6mm diameter.  
LEDCR-174 = 6.8mm - 6.9mm diameter.

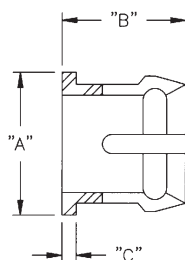
Panel Thickness: 0.81mm - 3.2mm



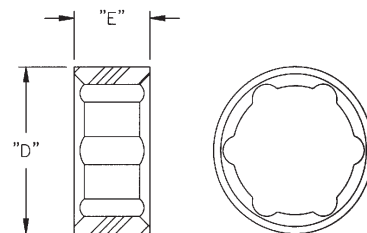
## LEDCR

LED CLIPS AND RINGS

### CLIP



### RING



Material: Nylon 6/6 - black;  
Clip: UL 94 V-0, RMS-43;  
Ring: UL 94 V-2, RMS-48  
Std. Pk.: 1.000 pcs.

Note:

(Parts sold in a set with clip and ring.)

LEDCR	104
Part	Type