

STLSC-250-46.5M

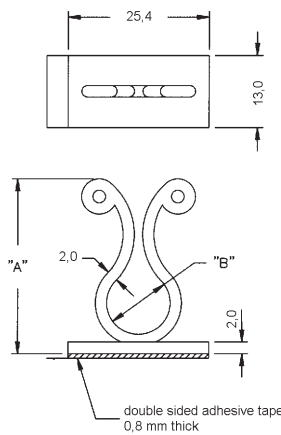
STANDOFF TWIST LOCK, SIDE CLIP

Material: Nylon 6/6 - natural, UL 94 V-0, RMS-19
Std. Pk.: 1.000 pcs.

Note:

STLSC	250-46.5M	01
Part	Size	Material Code

Part No.	"A" mm	"B" ø mm
KLB-350-01A-RT	27.2	7.6 - 10.2
KLB-450-01A-RT	31.2	10.2 - 12.7
KLB-750-01A-RT	40.1	12.8 - 20.3



KLB

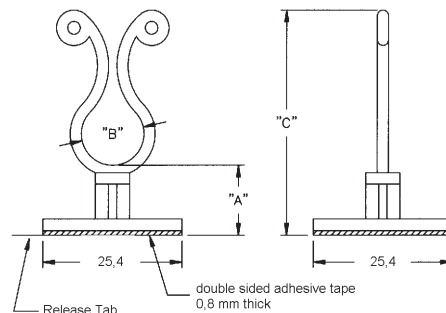
KURLY LOCK ON BASE

Material: Nylon 6/6 - natural, UL 94 V-2, RMS-01
or
Nylon 6/6 - natural, UL 94 V-0, RMS-19
Adh. Tape: Working temperature -20°C – +50°C
Std. Pk.: 1.000 pcs.

Note:

KLB	350	01	A-RT
Part	Bundle	Material Code	with Tape

Part No.	"A" mm	"B" ø mm	"C" mm
KLBS-350-4-01A-RT	6.4	7.6 - 10.2	32.5
KLBS-350-8-01A-RT	12.7		38.9
KLBS-350-12-01A-RT	19.1		45.2
KLBS-350-16-01A-RT	25.4		51.6
KLBS-450-4-01A-RT	6.4	10.2 - 12.7	37.3
KLBS-450-8-01A-RT	12.7		43.7
KLBS-450-12-01A-RT	19.1		50.0
KLBS-450-16-01A-RT	25.4		56.4



KLBS

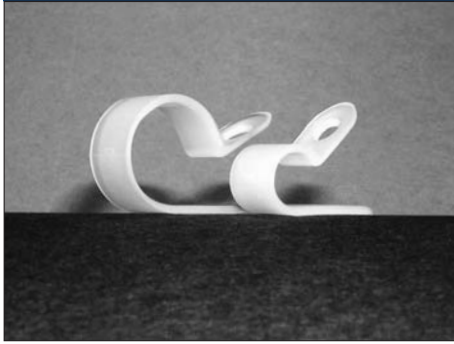
KURLY LOCK ON BASE, STANDOFF

Material: Nylon 6/6 - natural, UL 94 V-2, RMS-01
or
Nylon 6/6 - natural, UL 94 V-0, RMS-19
Adh. Tape: Working temperature -20°C – +50°C
Std. Pk.: 1.000 pcs.

Note:

KLBS	350	4	01	A-RT
Part	Bundle	Length "B"	Material "A"	Code with Tape

WIRE ROUTING, CLIPS AND CLAMPS



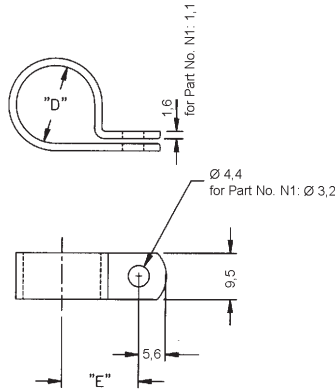
N

CABLE CLAMPS

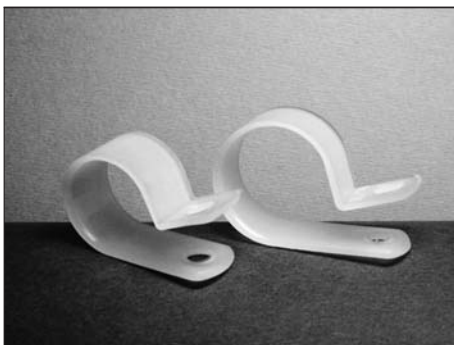
Note:

N	1	01
Part	Size	Material Code

Material: Nylon 6/6 - natural, UL 94 V-2, RMS-01
or
Nylon 6/6 - black, RMS-49
Std. Pk.: 1.000 pcs.

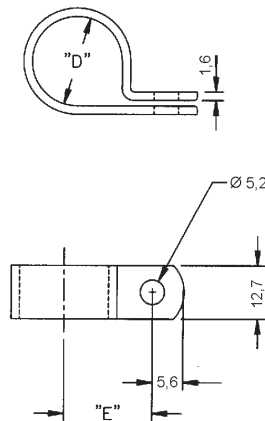


Part No.	"D" \varnothing mm	"E" mm
N-1-01	1.6	6.9
N-2-01	3.2	8.3
N-3-01	4.8	9.9
N-4-01	6.4	10.7
N-5-01	7.9	11.5
N-6-01	9.5	12.3
N-7-01	11.1	12.0
N-8-01	12.7	14.3



NB

CABLE CLAMPS



Part No.			"D" \varnothing mm	"E" mm	Std. Pk.
RMS-01	RMS-49	RMS-75			
N-2B	N-2B-BK		3.2	8.3	1.000
N-3B	N-3B-BK	N-3B-75	4.8	9.9	
N-4B	N-4B-BK	N-4B-75	6.4	10.7	
N-5B	N-5B-BK	N-5B-75	7.9	11.5	
N-6B	N-6B-BK	N-6B-75	9.5	12.3	
N-7B	N-7B-BK		11.1	12.0	
N-8B	N-8B-BK	N-8B-75	12.7	14.3	
N-9B	N-9B-BK		14.3	15.1	
N-10B	N-10B-BK	N-10B-75	15.9	15.9	
N-11B	N-11B-BK		17.5	16.7	
N-12B	N-12B-BK		19.1	19.4	500
N-14B	N-14B-BK		22.2	20.6	
N-16B	N-16B-BK		25.4	23.0	
N-18B	N-18B-BK		28.6	24.6	

Note:

N	2B	01
Part	Type	Material Code

Material: Nylon 6/6 - natural, UL 94 V-2, RMS-01
Nylon 6/6 - black, RMS-49
Nylon 6/6 - natural UL 94 V-0, RMS-75
Std. Pk.: see table



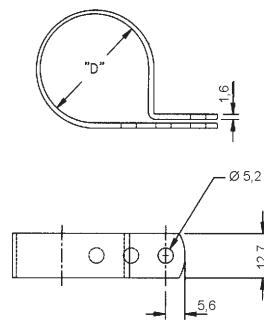
NB-3

CABLE CLAMPS

Note:

N	20B	01
Part	Type	Material Code

Material: Nylon 6/6 - natural, UL 94 V-2, RMS-01
by special order:
Nylon 6/6 - natural, UL 94 V-0, RMS-19
Std. Pk.: 500 pcs.



Part No.	"D" mm		
	inside	middle	outside
N-20B-01	25.4	28.6	30.2
N-24B-01	31.8	34.9	38.1
N-32B-01	44.5	47.6	50.8

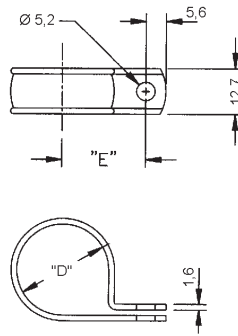
WIRE ROUTING, CLIPS AND CLAMPS



E

PROPIONATE CABLE CLAMPS

Part No.		"D" ø mm	"E" mm	Std. Pk.
transparent	yellow			
E2-C	E2-A	3.2	8.3	1.000
E3-C	E3-A	4.8	9.9	
E4-C	E4-A	6.4	10.7	
E5-C	E5-A	7.9	11.5	
E6-C	E6-A	9.5	12.3	
E7-C	E7-A	11.1	13.5	
E8-C	E8-A	12.7	14.3	
E9-C	E9-A	14.3	15.1	
E9-1/2-C	E9-1/2-A	15.0	15.7	
E10-C	E10-A	15.9	15.9	
E11-C	E11-A	17.5	16.7	
E12-C	E12-A	19.1	19.4	
E14-C	E14-A	22.2	20.6	500
E16-C	E16-A	25.4	23.0	
E18-C	E18-A	28.6	24.6	
E19-C	E19-A	30.1	25.4	
E20-C	E20-A	31.8	27.0	
E22-C	E22-A	34.9	26.6	

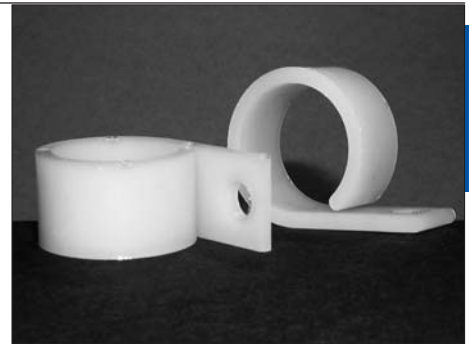
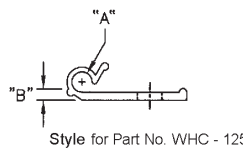
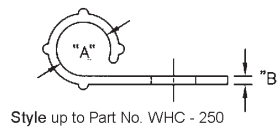


Material: Propionate - clear transparent,
Colour Code - C
or yellow transparent, Colour Code - A
UL 94 HB, RMS-12
Std. Pk.: see table

Note:

E	2	C
Part	Size	Colour Code

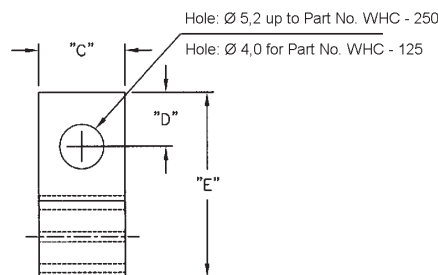
Part No.	"A" Holding ø mm	"B" mm	"C" mm	"D" mm	"E" mm	Std. Pk.
WHC-125-01	3.2	1.3	8.4	5.8	19.1	1.000
WHC-250-01	6.4	1.0	10.2	6.4	21.1	
WHC-375-01	9.5	1.3		4.8	4.8	
WHC-500-01	12.7	1.8	6.4	29.4		
WHC-625-01	15.9	2.0	28.6	500		
WHC-750-01	19.1	2.0	32.5			
WHC-1000-01	25.4	2.3	38.9			
WHC-1500-01	38.1	2.5	53.9			



E

WHC

WIRE HARNESS CLIPS

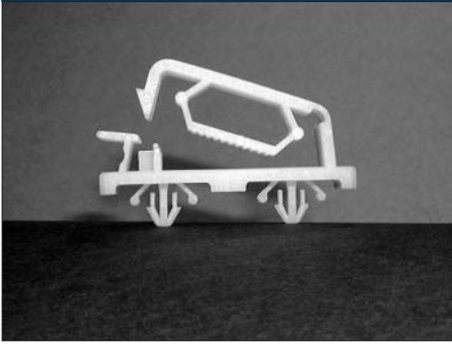


Material: Nylon 6/6 - natural, UL 94 V-2, RMS-01
Std. Pk.: see table

Note:

WHC	125	01
Part	Size	Material Code

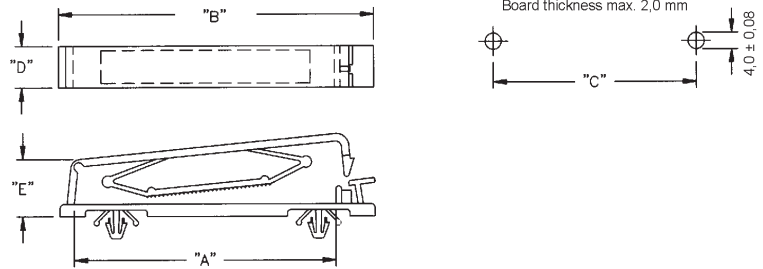
WIRE ROUTING, CLIPS AND CLAMPS



TFCCA

TENSION FLAT CABLE CLAMP

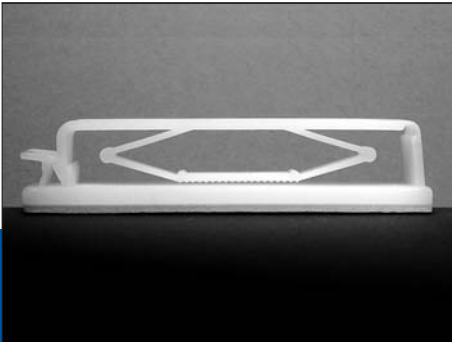
Part No.	"A" mm	"B" mm	"C" mm	"D" mm	"E" mm
TFCCA-25-01	24.9	39.6	20.0	13.2	13.0
TFCCA-40-01	53.6	67.1	40.0	10.0	16.0
TFCCA-50-01	64.5	77.7	49.7	10.2	13.7



Note:

TFCCA	25	01
Part	Size	Material Code

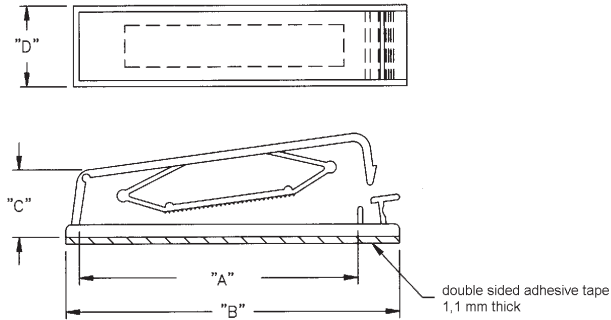
Material: Nylon 6/6 - natural, UL 94 V-2, RMS-01
Std. Pk.: 100 pcs.



TFCC

TENSION FLAT CABLE CLAMP

Part No.	"A" mm	"B" mm	"C" mm	"D" mm
TFCC-30-01	30.5	44.7	15.7	18.5
TFCC-40-01	50.8	67.1		15.7
TFCC-50-01	63.5	78.2		18.8
TFCC-64-01	83.5	97.5		16.0



Note:

TFCC	30	01
Part	Size	Material Code

Material: Nylon 6/6 - natural, UL 94 V-2, RMS-01
Adh. Tape: Working temperature -20°C – +50°C
Std. Pk.: 100 pcs.

A Touch of Magic!

