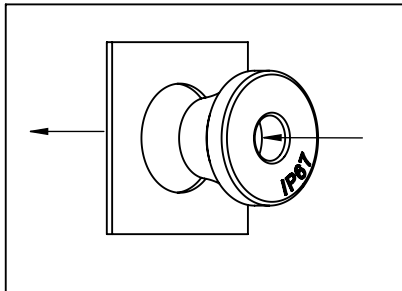
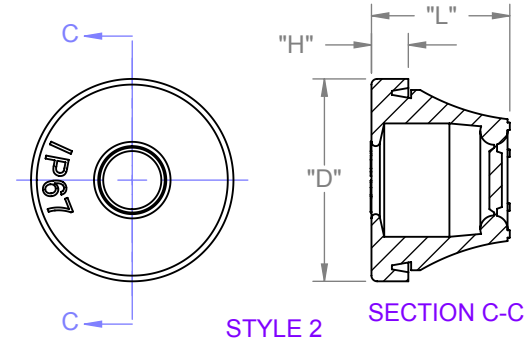
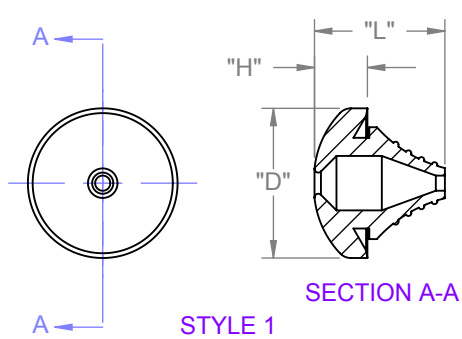
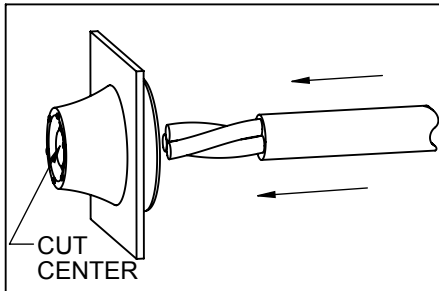


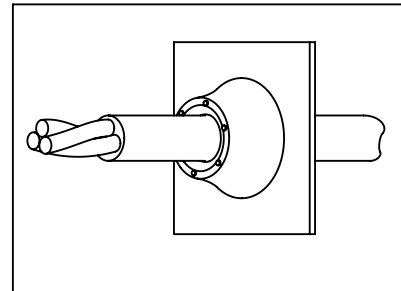
| PART NUMBER | STYLE | COLOR | PANEL HOLE SIZE | PANEL THICKNESS | CABLE SIZE | DIMENSION "D" REF. | DIMENSION "L" REF. | DIMENSION "H" REF. |
|-------------|-------|-------|----------------------|-----------------|---------------|--------------------|--------------------|--------------------|
| LTG-199017 | 1 | BLACK | .49±.01 [12.5±0.25] | .02-.08 [0.5-2] | .12-.20 [3-5] | .78 [19.8] | .67 [17] | .28 [7.1] |
| LTG-1 | 2 | GREY | .500±.008 [12.7±0.2] | | | .79 [20] | .50 [12.8] | .27 [6.8] |
| LTG-39897 | | | .63±.01 [16±0.25] | .83 [21] | .74 [18.9] | .24 [6.2] | | |
| LTG-34715 | | | .75±.01 [19±0.25] | .94 [23.9] | .77 [19.6] | .24 [6.1] | | |
| LTG-34716 | | | .91±.01 [23±0.25] | 1.10 [27.9] | .90 [22.9] | .26 [6.6] | | |
| LTG-43021 | | | 1.14±.01 [29±0.25] | 1.41 [35.8] | .96 [24.4] | .26 [6.6] | | |
| LTG-2 | | | 1.50±.01 [38±0.25] | 1.81 [46] | 1.14 [29] | .26 [6.5] | | |
| LTG-3 | | | 1.89±.01 [48±0.25] | 2.26 [57.5] | 1.26 [32] | .32 [8] | | |
| | | | | | | .98-1.26 [25-32] | | |



PRESS GROMMET INTO PANEL



CUT CENTER AS SHOWN AND INSERT CABLE THROUGH GROMMET



PULL BACK CABLE TO FORM SEAL

NOTES:

1. MATERIAL: EPDM RUBBER, 50 SHORE A (RMS-153).
2. PARTS CONFORM TO IP67 STANDARD.
3. ALTERNATE UNITS FOR REFERENCE ONLY.

| TITLE: LIQUID TIGHT GROMMETS | | | DWG IN IN [MM] | | FINAL | |
|---|--|---------------|----------------|----------|------------|--|
| CREATED USING SOLIDWORKS | FILE #: LTG | DWN: R.D.G. | APP: RDG | PART # | | |
| TOLERANCES UNLESS NOTED .XX=±.010 .XXX=±.005 FRAC.=±1/64 ANG.=±1° | SHEET: 1 OF 1 | SHEET SIZE: A | DT: 06/30/03 | CHKD: SJ | PRINT TYPE | |
| RE: RICHCO, INC. | RICHCO, INC. ENG@RICHCO-INC.COM (773) 539-4060 | | SEE TABLE | | CA | |
| I SEE ECN #1334 FOR CHANGES | SK 06/14/07 | | | | | |
| - SEE ENGINEERING FOR REVISIONS A-H | ENGR. DATE | | | | | |
| REV. | DESCRIPTION | | | | | |