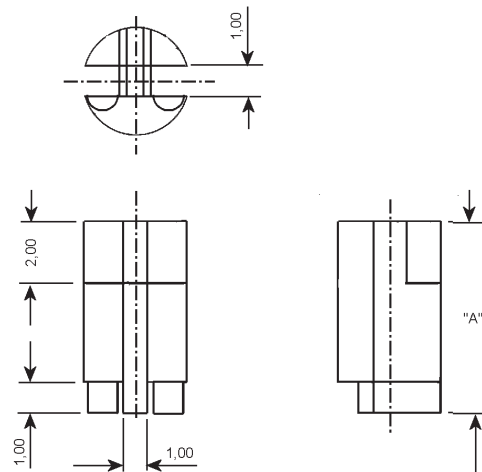


Part No.	"A" mm
LEDS1E-3-01	4.8
LEDS1E-4-01	6.4
LEDS1E-6-01	9.5
LEDS1E-8-01	12.7
LEDS1E-10-01	15.9
LEDS1E-12-01	19.1
LEDS1E-14-01	22.2
LEDS1E-16-01	25.4

**LEDS1E/LEDS2E**

LED SPACERS FOR 3- AND 5 MM-LEDS

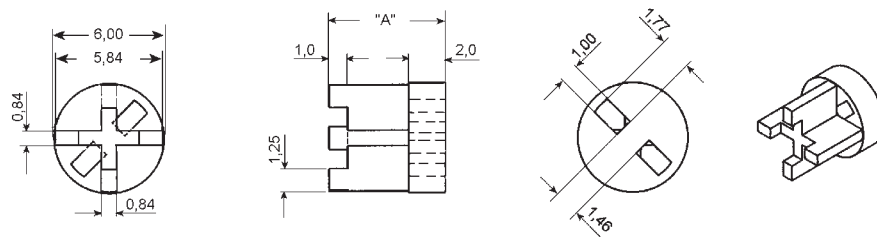
**LEDS1E for 3.0mm LED, T-1**



Part No.	"A" mm
LEDS2E-3-01	4.8
LEDS2E-4-01	6.4
LEDS2E-6-01	9.5
LEDS2E-8-01	12.7
LEDS2E-10-01	15.9
LEDS2E-12-01	19.1
LEDS2E-14-01	22.2
LEDS2E-16-01	25.4

Features: • Spacers LED from surface of board, minimising shifting and height variation, ensuring product uniformity

**LEDS2E for 5.0mm LED, T-1 3/4**



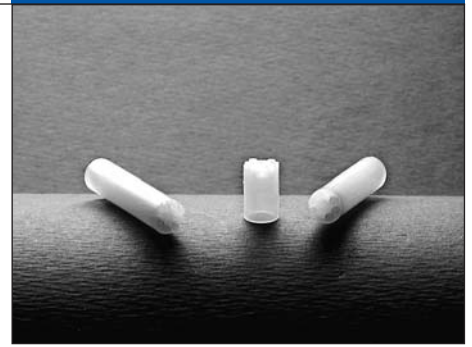
Note:  

LEDS1E	4	01
--------	---	----

 Part Length Material Code

Material: Nylon 6/6 - natural; UL 94 V-2, RMS-01 or Nylon 6/6 - natural; UL 94 V-0, RMS-19  
 Std. Pk.: 1.000 pcs.

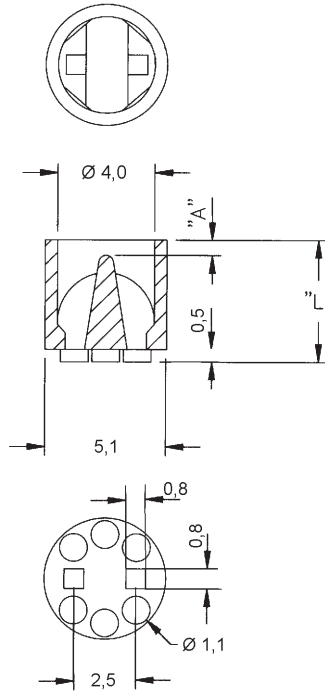
# GROMMETS & BUSHINGS, LED SPACERS AND INSULATORS



## LEDS2M

LED SPACER WITH INTERNAL TAPERED DESIGN FOR 5 MM-LED

Part No.	"L" mm	"A" mm
LEDS2M-120-01	3.1	1.0
LEDS2M-140-01	3.6	1.5
LEDS2M-160-01	4.1	2.0
LEDS2M-180-48	4.6	2.5
LEDS2M-200-01	5.1	3.1
LEDS2M-220-01	5.6	3.6
LEDS2M-240-01	6.1	4.1
LEDS2M-250-01	6.4	1.1
LEDS2M-260-48	6.6	1.4
LEDS2M-280-48	7.1	1.9
LEDS2M-300-01	7.6	2.4
LEDS2M-320-01	8.1	2.9
LEDS2M-340-48	8.6	3.4
LEDS2M-350-48	8.9	3.7
LEDS2M-360-48	9.1	3.9
LEDS2M-380-48	9.7	1.3
LEDS2M-400-01	10.2	1.8
LEDS2M-420-48	10.7	2.3
LEDS2M-440-48	11.2	2.8
LEDS2M-450-48	11.4	3.1
LEDS2M-460-48	11.7	3.3
LEDS2M-480-01	12.2	3.8
LEDS2M-500-01	12.7	1.1
LEDS2M-550-48	14.0	2.4
LEDS2M-600-48	15.2	3.7
LEDS2M-650-48	16.5	1.8
LEDS2M-700-48	17.8	3.1
LEDS2M-750-48	19.1	1.1
LEDS2M-800-48	20.3	2.4
LEDS2M-850-48	21.6	3.7
LEDS2M-900-48	22.9	5.0



Material: Nylon 6/6 - natural; UL 94 V-2, RMS-48  
Std. Pk.: 1.000 pcs.

Features: • Internal tapered design allows for quick and easy inserting of LED

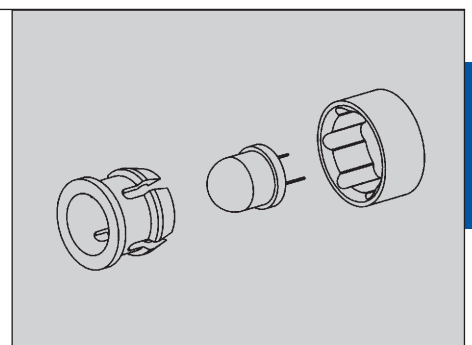
Note:

LEDS2M	120	48
Part	Type	Material Code

Part No.	LED Type	"A" mm	"B" mm	"C" mm	"D" mm	"E" mm
LEDCR-104	3.0 mm	5.3	5.3	0.4	6.1	3.6
LEDCR-174	5.0 mm	7.6	6.6	0.8	8.9	4.1

Mounting Hole: LEDCR-104 = 4.4mm - 4.6mm diameter.  
LEDCR-174 = 6.8mm - 6.9mm diameter.

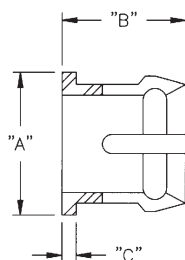
Panel Thickness: 0.81mm - 3.2mm



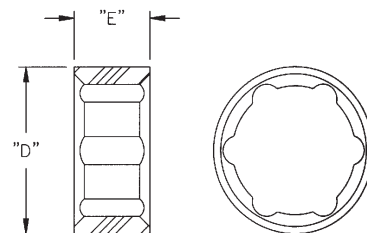
## LEDCR

LED CLIPS AND RINGS

### CLIP



### RING



Material: Nylon 6/6 - black;  
Clip: UL 94 V-0, RMS-43;  
Ring: UL 94 V-2, RMS-48  
Std. Pk.: 1.000 pcs.

Note:

(Parts sold in a set with clip and ring.)

LEDCR	104
Part	Type