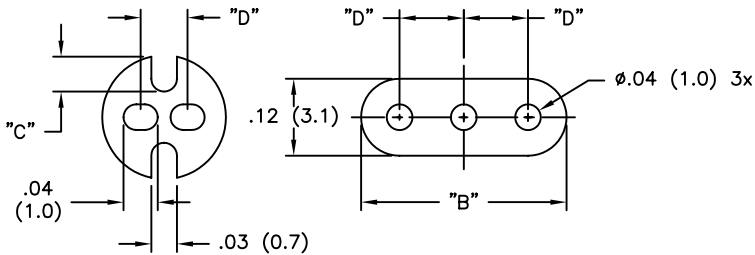
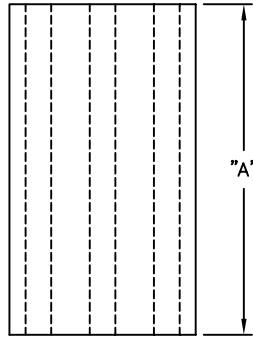
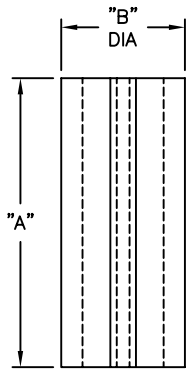
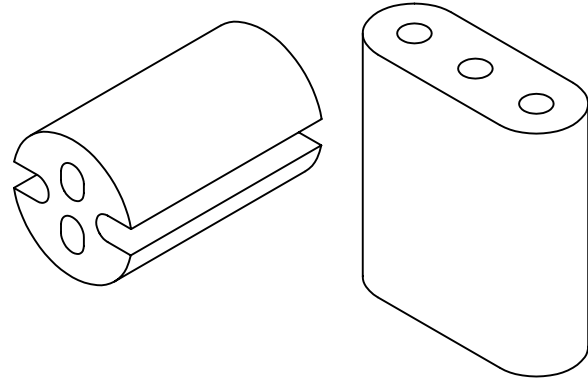


LEDS1/2

LEDS3



PART NO.	"A"	"B"±.020 (±0.51)	"C"	"D"	LED TYPE
LEDS1-4-26	1/4 (6.4)	.156 (4.0)	.047 (1.2)	.06 (1.5)	T-1
LEDS1-6-26	3/8 (9.5)				
LEDS1-8-26	1/2 (12.7)				
LEDS2-4-26	1/4 (6.4)	.188 (4.8)	.060 (1.5)	.10 (2.5)	T-13/4
LEDS2-6-26	3/8 (9.5)				
LEDS2-8-26	1/2 (12.7)				
LEDS2-10-26	5/8 (15.9)	.32 (8.1)	-	.10 (2.5)	T-1 & T-13/4
LEDS2-12-26	3/4 (19.1)				
LEDS3-3-26	3/16 (4.8)				
LEDS3-4-26	1/4 (6.4)				
LEDS3-6-26	3/8 (9.5)				
LEDS3-8-26	1/2 (12.7)				
LEDS3-10-26	5/8 (15.9)				
LEDS3-12-26	3/4 (19.1)				



NOTES:

1. MATERIAL: FLEXIBLE PVC, (RMS-26).
2. COLOR: BLACK.

TITLE: LED SPACERS		DWG IN IN (MM)		FINAL	
TOLERANCES UNLESS NOTED .XX=±.020 .XXX=±.015 FRAC=±1/32 ANG=±1°	FILE # LEDS	DWN: S.M.	APP:	PART #	
	MAT'L: SEE NOTES	DT: 03/06/01	DT:	SEE TABLE	
	RE: RICHCO, INC.	RICHCO INC. PO BOX 804238, CHICAGO, 60680 (773) 539-4060		PRINT TYPE CA	

REV	DESCRIPTION	ENGR	DATE
D	SEE ECN #488 FOR CHANGES	SM	10.15.02
C	ADDED "FLEXIBLE" TO NOTE 1.	SM	04.05.01
B	COMPLETELY RE-DRAWN	SM	03.08.01
A	RELEASED TO PRODUCTION	SM	03.06.01