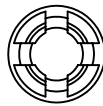
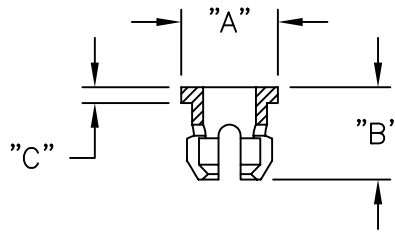
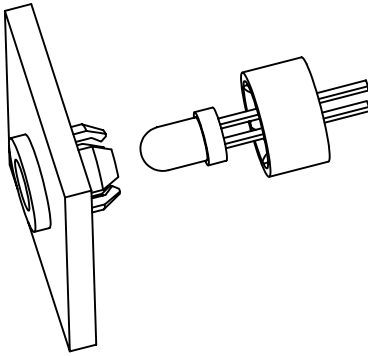
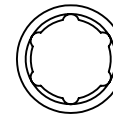
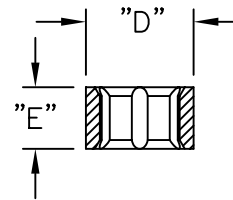


PART NO.	LARGE FLANGE LED TYPE	"A" DIA.	"B"	"C"	"D" DIA.	"E"	MOUNTING HOLE DIA.	PANEL THICKNESS
LEDCR-104	T-1	.21 (5.3)	.21 (5.3)	.015 (0.38)	.24 (6.1)	.14 (3.6)	.174-.180 (4.4-4.6)	.032-.125
LEDCR-174	T-1 3/4	.30 (7.6)	.26 (6.6)	.030 (0.76)	.35 (8.9)	.16 (4.1)	.267-.273 (6.8-6.9)	(0.8-3.2)



CLIP



RING

NOTES:

1. MATERIAL:

LEDCR-104 CLIP AND RING: NYLON 6/6 (RMS-43) UL94-V0.

LEDCR-174, CLIP: NYLON 6/6 (RMS-43) UL94-V0,

RING: NYLON 6/6 (RMS-48) UL94-V2.

2. COLOR: BLACK.

TITLE: LED HOLDER SET (CLIP AND RING)		DWG IN IN (MM)		FINAL	
TOLERANCES UNLESS NOTED .XX=±.010 .XXX=±.005 FRAC=±1/64 ANG=±1°		FILE # LEDCR	DWN: J.B.	APP:	
MAT'L: SEE NOTES		DT: 12-12-96		DT:	
RE: RICHCO, INC.		RICHCO INC. PO BOX 804238, CHICAGO, 60680 (773) 539-4060		PART #	PRINT TYPE
				SEE TABLE	CA

REV	DESCRIPTION	ENGR DATE
C	SEE ECN #979 FOR CHANGES	SK 04.12.05
B	COMPLETELY REDRAWN	SM 05.16.02
A	CHANGED FILE NO.	SM 03.18.02