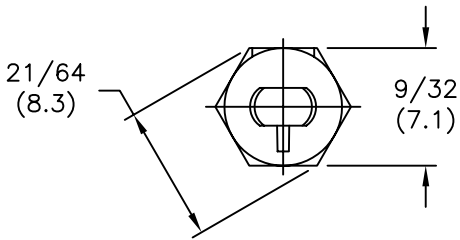
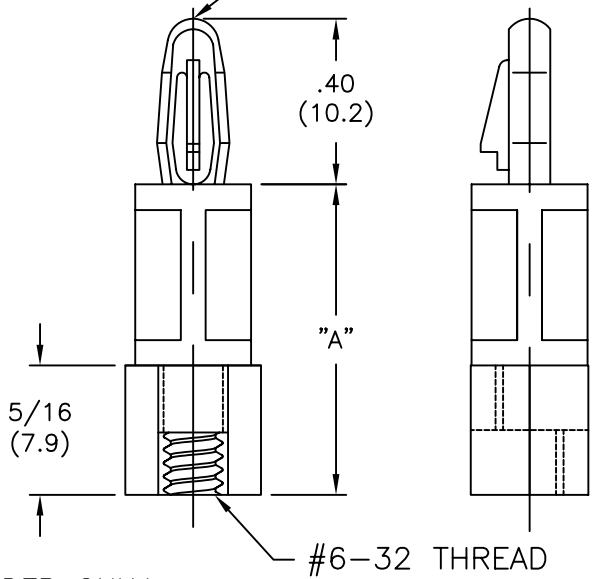


NYLON 6/6 (RMS-01) COLOR: NATURAL PART NO.	FLAME RET. (RMS-19) COLOR: NATURAL PART NO.	"A" ±.015 (±0.4)
LCBS-TF-6-01	LCBS-TF-6-19	3/8 (9.5)
LCBS-TF-8-01	LCBS-TF-8-19	1/2 (12.7)
LCBS-TF-10-01	LCBS-TF-10-19	5/8 (15.9)
LCBS-TF-12-01	LCBS-TF-12-19	3/4 (19.1)
LCBS-TF-14-01	LCBS-TF-14-19	7/8 (22.2)
LCBS-TF-16-01	LCBS-TF-16-19	1 (25.4)



TO SNAP-LOCK IN A .156±.003  
(4.00±0.08) DIA. HOLE, IN A  
.062 (1.57) THICK BOARD.



NOTES:  
1. M4 THREAD AVAILABLE BY SPECIAL ORDER ONLY.  
TO ORDER, ADD "-M4" TO PART NO.  
EXAMPLE: LCBS-TF-M4-8-XX

C UPDATED PRINT AND CHANGED FILE NO. SM 05.09.02			TITLE: LCBS, THREADED FEMALE			DWG IN IN (MM) FINAL		PRINT TYPE CA	
B CHANGED 8-32 TO 6-32 THREAD JB 04.24.96			FILE # LCBS-TF		DWN: P.B.		APP:		PART # SEE TABLE
A CHANGED PART # AND FIX DIMS JB 09.27.95			MAT'L: SEE TABLE		DT: 07-08-94 DT:		RICHCO INC.		
REV DESCRIPTION ENGR DATE			RE: RICHCO, INC.		PO BOX 804238, CHICAGO, 60680		(773) 539-4060		

TOLERANCES UNLESS NOTED  
.XX=±.010  
.XXX=±.005  
FRAC=±1/64  
ANG=±1'