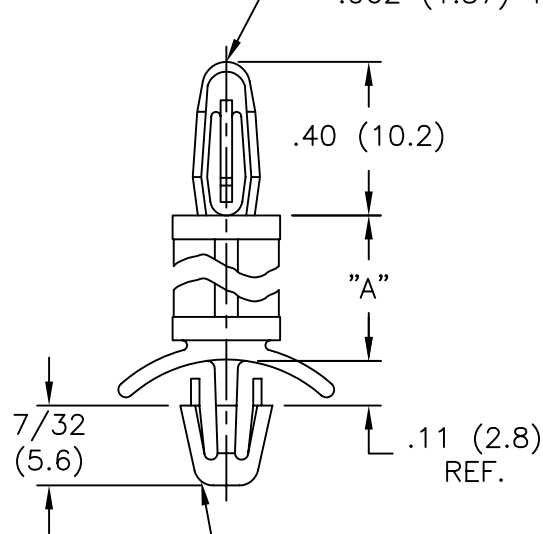
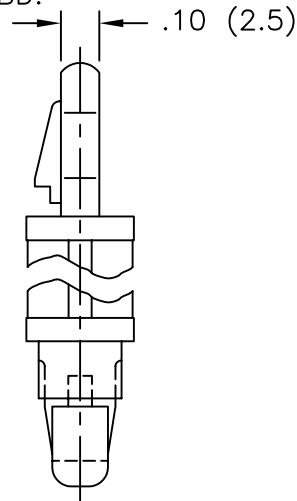


TO SNAP-LOCK IN A $.156 \pm .003$
(4.00 ± 0.08) DIA. HOLE, IN A
.062 (1.57) THK. BD.



TO SNAP-LOCK IN A $.187 \pm .003$
(4.75 ± 0.08) DIA. HOLE, IN A
1/16 (1.6) NOMINAL THICK PANEL/CHASSIS.



MAT'L: NYLON 6/6,
RMS-01.
COLOR: NATURAL.
PART NO.

MAT'L: FLAME RET.
NYL. 6/6, RMS-19.
COLOR: NATURAL.
PART NO.

DIM. "A"
 $\pm .015 (\pm 0.4)$

LCBS-3-01	LCBS-3-19	3/16 (4.8)
LCBS-4-01	LCBS-4-19	1/4 (6.4)
LCBS-5-01	LCBS-5-19	5/16 (7.9)
LCBS-6-01	LCBS-6-19	3/8 (9.5)
LCBS-7-01	LCBS-7-19	7/16 (11.1)
LCBS-8-01	LCBS-8-19	1/2 (12.7)
LCBS-10-01	LCBS-10-19	5/8 (15.9)
LCBS-12-01	LCBS-12-19	3/4 (19.1)
LCBS-14-01	LCBS-14-19	7/8 (22.2)
LCBS-16-01	LCBS-16-19	1.0 (25.4)
LCBS-18-01	LCBS-18-19	1-1/8 (28.6)
LCBS-20-01	LCBS-20-19	1-1/4 (31.7)
LCBS-22-01	LCBS-22-19	1-3/8 (34.9)

NOTES:

- MATERIAL: NYLON 6/6 (RMS-01).
IMPACT MODIFIED NYLON (RMS-73),
AVAILABLE BY SPECIAL ORDER ONLY.
HEAT RESISTANT NYLON (RMS-109),
AVAILABLE BY SPECIAL ORDER ONLY.
- COLOR: NATURAL.

TITLE: LOCKING CIRCUIT BOARD SUPPORT



DWG IN
IN (MM)



E	SEE ECN #695 FOR CHANGES	SM 09.12.03
D	ADDED HEAT RESISTANT NOTE, ECN #600	SM 03.18.03
C	UPDATED PRINT AND CHANGED FILE NO.	SM 10.12.01
B	MAT'L RMS-73 BY SPECIAL ORDER ADDED	J.L. 1.26.98
A	CONVERTED TO ACAD	PB 01.04.95
REV	DESCRIPTION	ENGR DATE

TOLERANCES
UNLESS NOTED
.XX=±.010
.XXX=±.005
FRAC=±1/64
ANG=±1°

FILE # LCBS
MAT'L: SEE NOTES
RE: RICHCO, INC.

DWN: P.B.
DT: 01-04-95 DT:
RICHCO INC.
PO BOX 804238, CHICAGO, 60680
(773) 539-4060

FINAL
PART #
SEE TABLE
PRINT TYPE
CA