

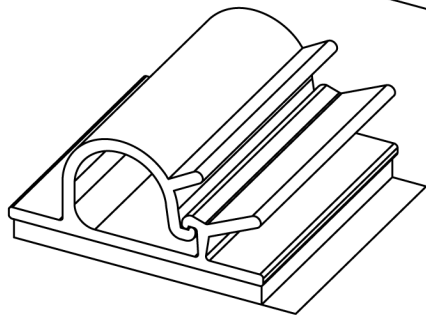
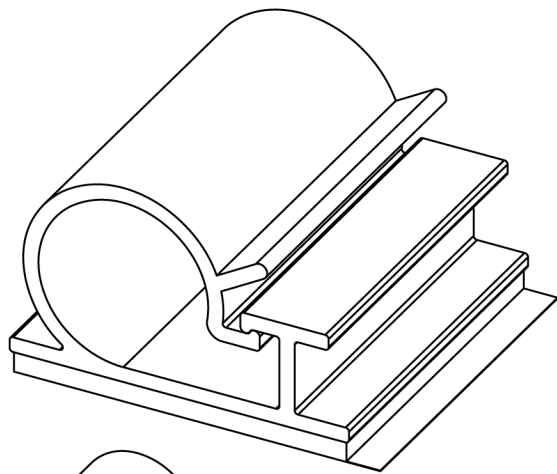
Part Number

[KKL-4-RT](#)

Description

Clip,Locking,Adh Mnt,Grey,1/4" Hold





| PART NO. | "A" HOLDING CAPACITY | "B"±.015 | "C"±.020 | "D" REF AT MAX. CAPACITY | FIG NO. |
|-----------|----------------------|------------|------------|--------------------------|---------|
| KKL-4-RT | 1/4 [6.4] | 3/4 [19.7] | 3/4 [19.7] | 9/16 [14.3] | 1 |
| KKL-8-RT | 1/2 [12.7] | 1 [25.4] | 1 [25.4] | 27/32 [21.4] | 2 |
| KKL-12-RT | 3/4 [19.1] | | | 1 [25.4] | |

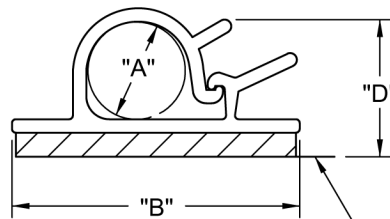
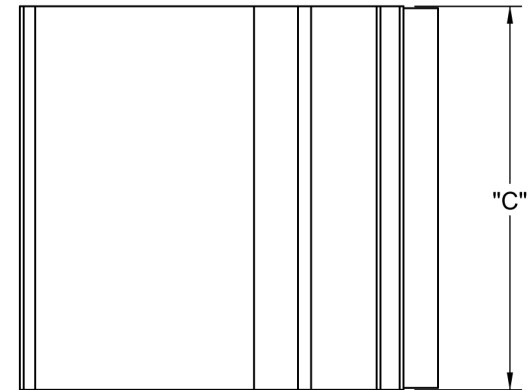
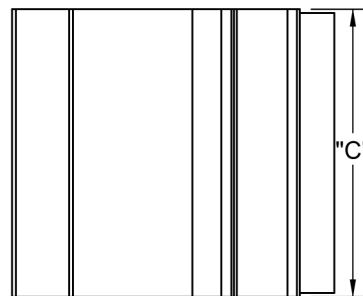


FIG 1.

TYPICAL RELEASE TAB LOCATION

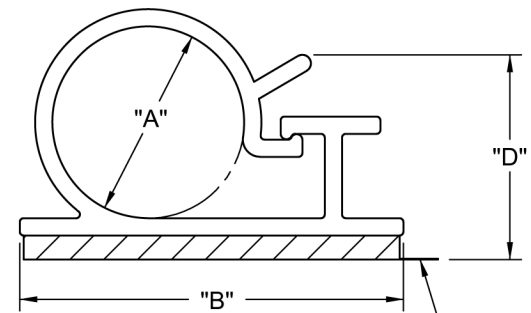


FIG 2.

TYPICAL RELEASE TAB LOCATION

NOTES:

1. MATERIAL: RIGID PVC (RMS-04)
ALSO AVAILABLE IN CLEAR PVC (RMS-32), BY SPECIAL ORDER.
2. COLOR: GRAY.
3. TAPE: 1/16 [1.6] THICK, DOUBLE SIDED ADHESIVE (RMS-15), WHITE LINER.
4. CUSTOM LENGTHS AVAILABLE BY SPECIAL ORDER.
5. COLOR BLACK AVAILABLE BY SPECIAL ORDER ONLY.
TO ORDER ADD SUFFIX "-BK" TO THE PART NO.

| | | | |
|------|-----------------------------|-------|----------|
| G | SEE CO 200197 FOR CHANGES | SK | 06/03/08 |
| - | SEE ENGINEERING FOR REV A-F | --- | ----- |
| REV. | DESCRIPTION | ENGR. | DATE |

| | | | | | | |
|---|---------------|---------------|--------------|-----------|----------------|------------|
| TITLE: KWIK-KLIP, TYPE "L" | | | | | DWG IN IN [MM] | |
| CREATED USING SOLIDWORKS | FILE #: KKL | DWN: S.M. | APP: - | FINAL | | |
| TOLERANCES UNLESS NOTED .XX=±.010 .XXX=±.005 FRAC.=±1/64 ANG.=±1° | SHEET: 1 OF 1 | SHEET SIZE: A | DT: 11/28/00 | CHKD: - | PART # | PRINT TYPE |
| RE: RICHCO, INC. | | RICHCO, INC. | | SEE TABLE | | CA |