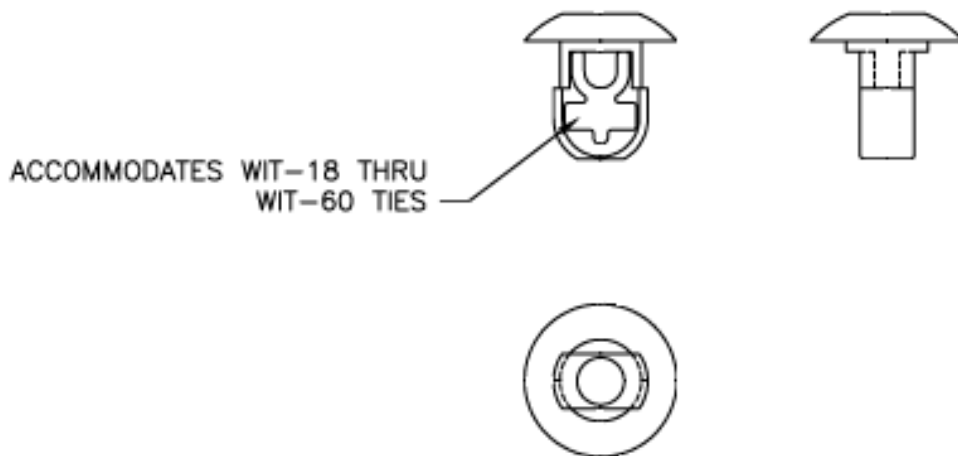
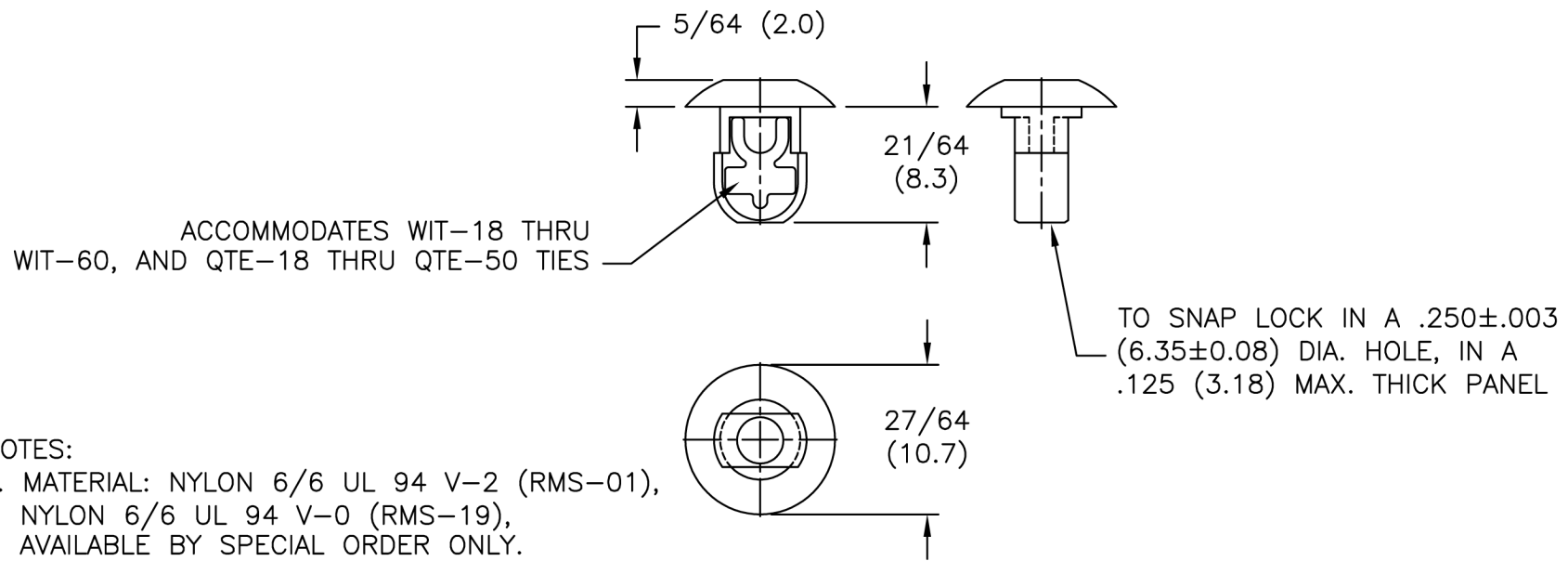


See "Part Drawing" for Details



Part Number	Description
FTH-9-01-C	Cbl Tie Hldr,Arrow Mnt,Natural 



NOTES:

1. MATERIAL: NYLON 6/6 UL 94 V-2 (RMS-01), NYLON 6/6 UL 94 V-0 (RMS-19), AVAILABLE BY SPECIAL ORDER ONLY. COLOR: NATURAL.
2. MATERIAL: UV STABILIZED NYLON (RMS-46), COLOR BLACK. AVAILABLE BY SPECIAL ORDER. TO ORDER REPLACE "-01" WITH "-UVB"

TITLE: FLAT TIE HOLDER			DWG IN IN (MM)		FINAL			
E	SEE CO 200091 FOR CHANGES	SK 12.18.07	TOLERANCES UNLESS NOTED .XX= $\pm .010$.XXX= $\pm .005$ FRAC= $\pm 1/64$ ANG= $\pm 1^\circ$	FILE # FTH-9	DWN: P.B.	APP:	PART # FTH-9-01	PRINT TYPE CA
D	SEE ECN #1124 FOR CHANGES	SK 01.24.06		MAT'L: SEE NOTES	DT: 06-29-94	DT:		
C	CHANGED FILE NO.	SM 05.17.02		RE: RICHCO, INC.	RICHCO INC.			
B	FR NYLON (RMS-19) ADDED	J.L. 01.07.00						
A	CONVERTED TO ACAD	PB 06.29.94						
REV	DESCRIPTION	ENGR DATE						