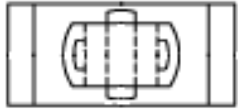
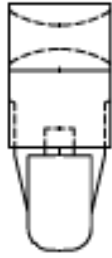


See "Part Drawing" for Details

ACCOMMODATES WIT-18 THRU
WIT-60 TIES



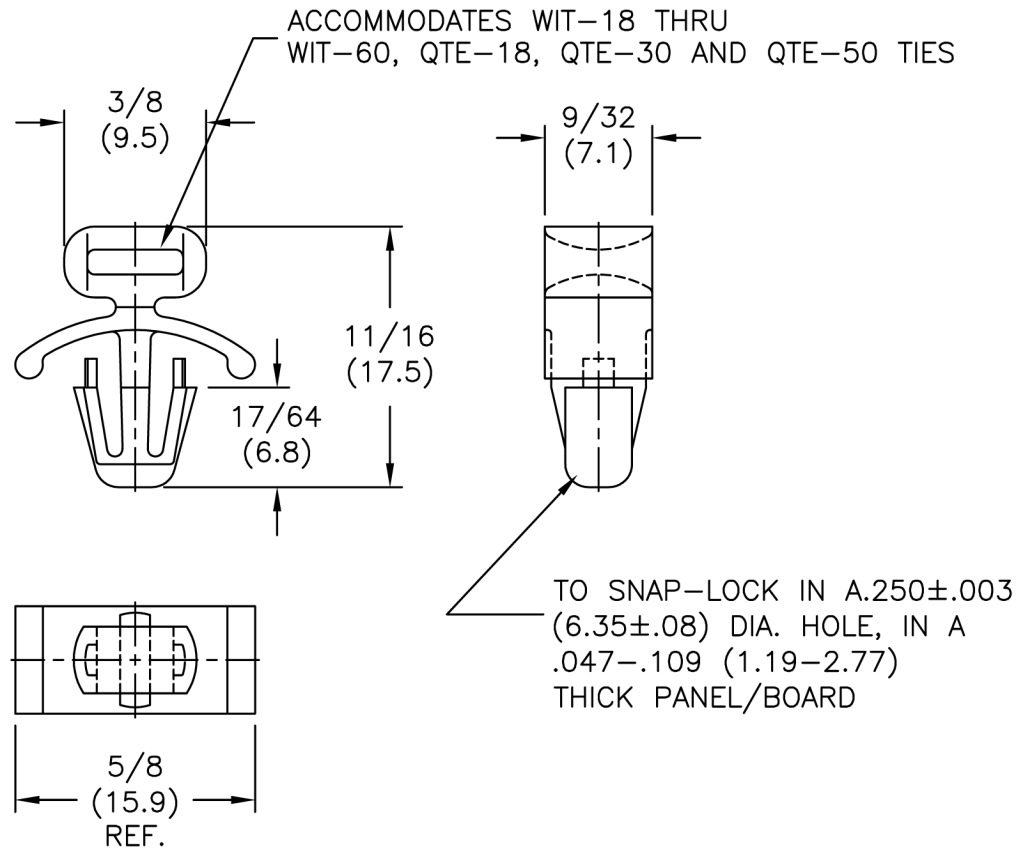
Part Number

[FTH-6-01-C](#)

Description

Cbl Tie Hldr,Arrow Mnt,Natural





NOTES:

1. MATERIAL: NYLON 6/6 (RMS-01).
FLAME RETARDANT NYLON (RMS-19),
AVAILABLE BY SPECIAL ORDER ONLY;
TO ORDER USE P/N: FTH-6-19.
2. COLOR: NATURAL.

TITLE: FLAT TIE HOLDER			DWG IN IN (MM)		FINAL			
E	SEE ECN #1124 FOR CHANGES	SK 01.24.06	TOLERANCES UNLESS NOTED	FILE # FTH-6	DWN: P.B.	APP:	PART #	
D	CHANGED FILE NO.	SM 06.13.02	.XX=±.010	MAT'L: SEE NOTES	DT: 06-29-94	DT:	FTH-6-01	
C	MAT'L AND CABLE TIE NOTES UPDATED	J.L. 01.07.00	.XXX=±.005	RE: RICHCO, INC.	RICHCO INC.		PRINT TYPE	
B	(RMS-19) (VO) NOTE ADDED	M.B. 10.11.99	FRAC=±1/64					CA
A	CONVERTED TO ACAD	PB 06.29.94	ANG=±1'					
REV	DESCRIPTION	ENGR DATE						