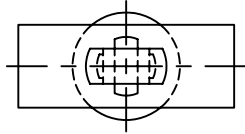
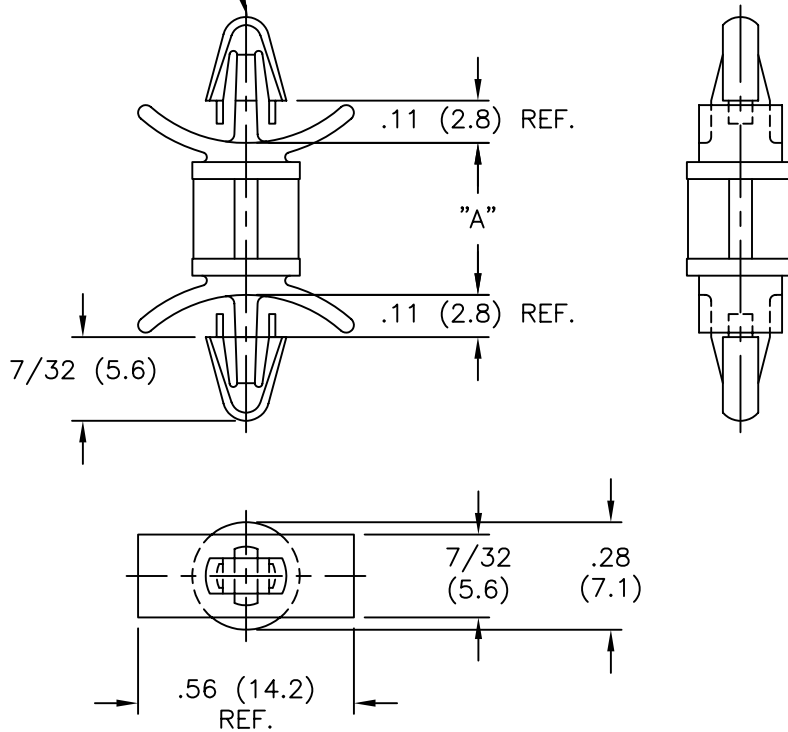


NYLON 6/6 (RMS-01) COLOR: NATURAL PART NO.	FLAME RET. (RMS-19) COLOR: NATURAL PART NO.	DIM. "A"
DLCBS-3-01	DLCBS-3-19	3/16 (4.8)
DLCBS-4-01	DLCBS-4-19	1/4 (6.4)
DLCBS-6-01	DLCBS-6-19	3/8 (9.5)
DLCBS-8-01	DLCBS-8-19	1/2 (12.7)
DLCBS-10-01	DLCBS-10-19	5/8 (15.9)
DLCBS-12-01	DLCBS-12-19	3/4 (19.1)
DLCBS-14-01	DLCBS-14-19	7/8 (22.2)



TO SNAP-LOCK IN A $.156 \pm .003$
(4.00 ± 0.08) DIA. HOLE, IN A
1/16 (1.6) NOM. THK. BOARD/CHASSIS



NOTES:

- IMPACT MODIFIED NYLON (RMS-73),
COLOR: NATURAL.
AVAILABLE BY SPECIAL ORDER ONLY;
TO ORDER USE P/N DLCBS-X-73.

B	UPDATED NOTES AND TABLE	SM 04.05.02
A	CHANGED FILE NO. AND TITLE BLOCK	S.M. 04.27.01
R E V	DESCRIPTION	ENGR DATE

TITLE: DUAL LOCKING CIRCUIT BOARD SUPPORT, TYPE 1



TOLERANCES UNLESS NOTED .XX=±.010 .XXX=±.005 FRAC=±1/64 ANG=±1°	FILE # DLCBS	DWN: PB/JB	APP:	FINAL
	MAT'L: SEE TABLE	DT: 03-06-95	DT:	
RE: RICHCO, INC.	RICHCO INC. PO BOX 804238, CHICAGO, 60680 (773) 539-4060		PART # DLCBS-SERIES	PRINT TYPE CA