

Part Number	Description
-------------	-------------

[CAT-08-PP](#)

Installation Tool For SHR-08,Orange



PART NO.	"A" REF.	MAX. BUNDLE DIA. "B"	TO BE USED WITH	FIGURE NO.
CAT-05-PP	2.09 (53)	.24 (6)	SHR-05-YYY*	2
CAT-08-PP	2.80 (71)	.37 (9.5)	SHR-08-YYY*	1
CAT-15-PP	3.19 (81)	.63 (16)	SHR-15-YYY*	
CAT-20-PP	3.94 (100)	.79 (20)	SHR-20-YYY*	
CAT-25-PP	4.45 (113)	.96 (24.5)	SHR-25-YYY*	
CAT-32-PP	5.67 (144)	1.22 (31)	SHR-32-YYY*	

\*YYY-SHR MATERIAL

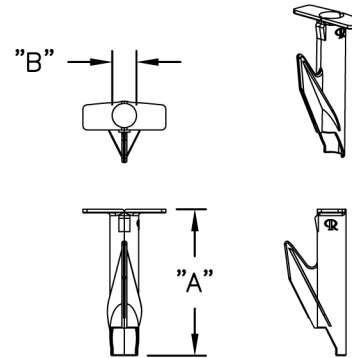
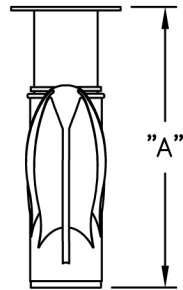
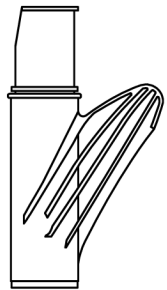
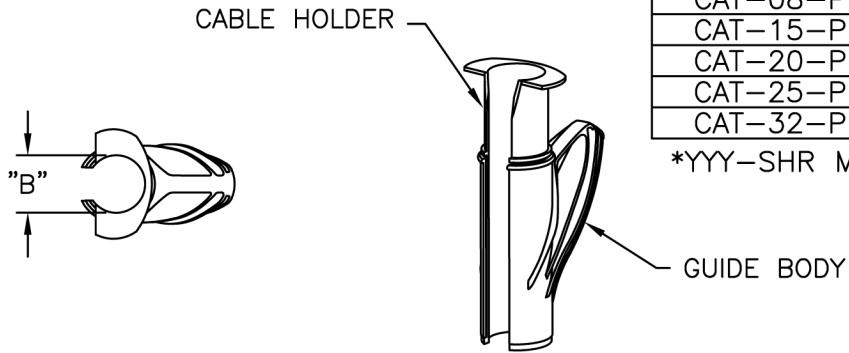


FIGURE 1.  
MATERIAL: A) GUIDE BODY: -POLYPROPYLENE (RMS-268); COLOR: ORANGE.  
B) CABLE HOLDER - POLYACETAL (RMS-267), COLOR: WHITE

FIGURE 2.  
MATERIAL: POLYPROPYLENE (RMS-150); COLOR: BLUE.

NOTES:

- FIGURE 1. TOOL AVAILABLE IN BULK PACKAGES OF 100/BOX. TO ORDER ADD "-BU" TO THE PART NO.
- CAT-20, "-25" AND "-32" AVAILABLE IN GLASS FILLED NYLON (RMS-253) FOR HEAVY DUTY APPLICATION. TO ORDER, REPLACE "-PP" WITH "-IX"; COLOR: BLUE.

TITLE: CABLE APPLICATOR TOOL			DWG IN IN (MM)		FINAL			
TOLERANCES UNLESS NOTED .XX=±.010 .XXX=±.005 FRAC=±1/64 ANG=±1'			FILE # CAT	DWN: SM	APP:	PART #		PRINT TYPE
C SEE CO 200219 FOR CHANGES SK 07.21.08			MAT'L: SEE NOTES		DT: 03.01.02	DT:		SEE TABLE
B SEE ECN #1319 FOR CHANGES SK 04.19.07			RE: RICHCO, INC.		RICHCO INC.		CA	
A REDRAWN FROM RICHCO UK SM 03.01.02								
REV	DESCRIPTION	ENGR DATE						