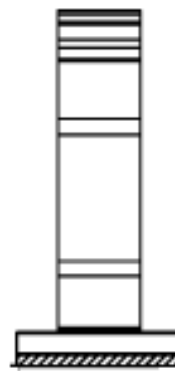
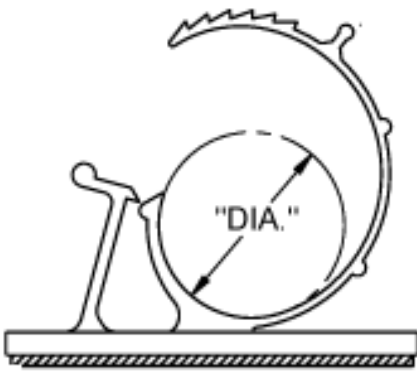


See "Part Drawing" for Details

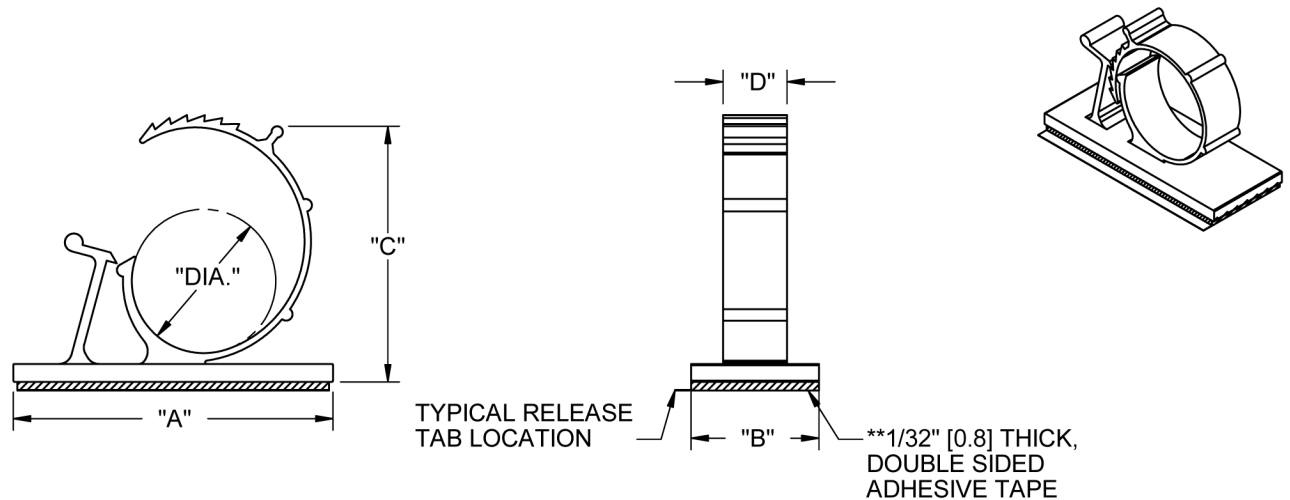


| Part Number | Description |
|-------------------------------|---|
| AKKL-8710A-RT | Clamp,Adj,Adh Mnt,Nat,.875"-1.00"  |

| PART NUMBER | | | | BUNDLE DIA. RANGE REF. | "A"±.015 [±0.4] | "B"±.015 [±0.4] | "C" REF. | "D" |
|----------------|------------------|--------------------|---------------------|------------------------|-----------------|-----------------|-------------|------------|
| NYLON W/O TAPE | NYLON W/ TAPE | V-0 NYLON W/O TAPE | V-0 NYLON W/ TAPE | | | | | |
| AKKL-2140-01 | AKKL-2140A-RT | AKKL-2140-19 | AKKL-2140A-RT-19 | .215-.258 [5.5-6.5] | .85 [21.6] | .650 [16.5] | .708 [18.0] | .39 [10.0] |
| AKKL-3140-01 | AKKL-3140A-RT | AKKL-3140-19 | AKKL-3140A-RT-19 | .312-.406 [7.9-10.3] | 1.00 [25.4] | .750 [19.1] | .866 [22.2] | .40 [10.2] |
| AKKL-4756-01 | AKKL-4756A-RT | AKKL-4756-19 | AKKL-4756A-RT-19 | .469-.562 [11.9-14.3] | 1.25 [31.8] | | 1.09 [27.8] | |
| AKKL-5775-01 | AKKL-5775A-RT | AKKL-5775-19 | AKKL-5775A-RT-19 | .578-.750 [14.7-19.1] | 1.50 [38.1] | | 1.25 [31.8] | |
| AKKL-8710-01 | AKKL-8710A-RT | AKKL-8710-19 | AKKL-8710A-RT-19 | .875-1.00 [22.2-25.4] | 2.00 [50.8] | 1.00 [25.4] | 1.75 [44.5] | .50 [12.7] |
| AKKL-10112-01 | **AKKL-10112A-RT | AKKL-10112-19 | **AKKL-10112A-RT-19 | 1.00-1.25 [25.4-31.7] | 2.5 [63.5] | | 2.00 [50.8] | |

* AKKL-2140 AVAILABLE WITH RUBBER ADHESIVE TAPE (RMS-136) ONLY.

** AKKL-10112 AVAILABLE WITH 1/16 [1.6] THICK TAPE ONLY.



NOTES:

1. MATERIAL: NYLON 6/6 (RMS-01)
FLAME RETARDANT NYLON 6/6 (RMS-19), UL94-V0.
2. COLOR: NATURAL.
3. ACRYLIC ADHESIVE TAPE (RMS-15), WHITE LINER.
4. RUBBER ADHESIVE TAPE (RMS-102), BLUE LINER,
AVAILABLE BY SPECIAL ORDER ONLY.
TO ORDER USE P/N: AKKL-XXXXA1-RT OR AKKL-XXXXA1-RT-19

| REV. | | | TITLE: ADJUSTABLE KWIK KLIP | | | | DWG IN IN [MM] | | FINAL | |
|------|--|-------|-----------------------------|---------|-------------|-------------|----------------|------------|----------|--|
| N | SEE ECN #952 FOR CHANGES | SK | 02/25/05 | FILE #: | AKKL | DWN: | SM | APP: | - | |
| M | SEE ECN #939 FOR CHANGES | SK | 02/10/05 | SHEET: | 1 OF 1 | SHEET SIZE: | A | DT: | 12/02/03 | |
| L | SEE ECN #847 FOR CHANGES | SM | 09/10/04 | RE: | RICHCO INC. | | RICHCO, INC. | | PART # | |
| K | SEE ECN #750 FOR CHANGES | SM | 01/27/04 | | | | | SEE TABLE | | |
| J | SEE ECN #733 FOR CHANGES | SM | 12/02/03 | | | | | PRINT TYPE | | |
| - | SEE ENGINEERING FOR REVISION HISTORY (A-I) | - | - | | | | | CA | | |
| REV. | DESCRIPTION | ENGR. | DATE | | | | | | | |