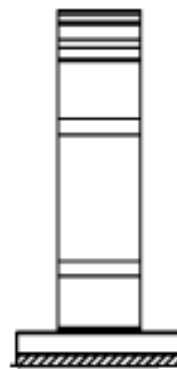
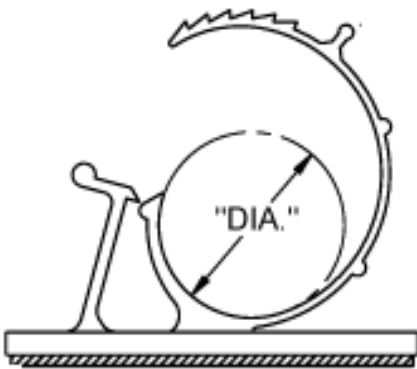


See "Part Drawing" for Details

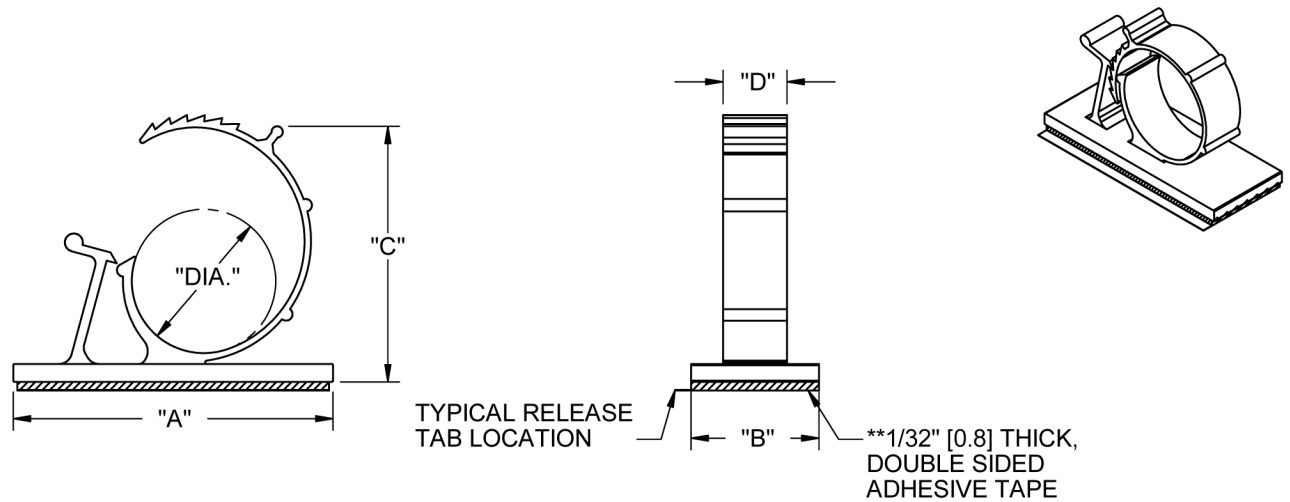


| Part Number                   | Description   |
|-------------------------------|---|
| <a href="#">AKKL-4756A-RT</a> | Clamp,Adj,Adh Mnt,Nat,.469"-.562"  |

| PART NUMBER    |                  |                    |                     | BUNDLE DIA. RANGE REF. | "A"±.015 [±0.4] | "B"±.015 [±0.4] | "C" REF.    | "D"        |
|----------------|------------------|--------------------|---------------------|------------------------|-----------------|-----------------|-------------|------------|
| NYLON W/O TAPE | NYLON W/ TAPE    | V-0 NYLON W/O TAPE | V-0 NYLON W/ TAPE   |                        |                 |                 |             |            |
| AKKL-2140-01   | AKKL-2140A-RT    | AKKL-2140-19       | AKKL-2140A-RT-19    | .215-.258 [5.5-6.5]    | .85 [21.6]      | .650 [16.5]     | .708 [18.0] | .39 [10.0] |
| AKKL-3140-01   | AKKL-3140A-RT    | AKKL-3140-19       | AKKL-3140A-RT-19    | .312-.406 [7.9-10.3]   | 1.00 [25.4]     | .750 [19.1]     | .866 [22.2] | .40 [10.2] |
| AKKL-4756-01   | AKKL-4756A-RT    | AKKL-4756-19       | AKKL-4756A-RT-19    | .469-.562 [11.9-14.3]  | 1.25 [31.8]     |                 | 1.09 [27.8] |            |
| AKKL-5775-01   | AKKL-5775A-RT    | AKKL-5775-19       | AKKL-5775A-RT-19    | .578-.750 [14.7-19.1]  | 1.50 [38.1]     |                 | 1.25 [31.8] |            |
| AKKL-8710-01   | AKKL-8710A-RT    | AKKL-8710-19       | AKKL-8710A-RT-19    | .875-1.00 [22.2-25.4]  | 2.00 [50.8]     | 1.00 [25.4]     | 1.75 [44.5] | .50 [12.7] |
| AKKL-10112-01  | **AKKL-10112A-RT | AKKL-10112-19      | **AKKL-10112A-RT-19 | 1.00-1.25 [25.4-31.7]  | 2.5 [63.5]      |                 | 2.00 [50.8] |            |

\* AKKL-2140 AVAILABLE WITH RUBBER ADHESIVE TAPE (RMS-136) ONLY.

\*\* AKKL-10112 AVAILABLE WITH 1/16 [1.6] THICK TAPE ONLY.



NOTES:

1. MATERIAL: NYLON 6/6 (RMS-01)  
FLAME RETARDANT NYLON 6/6 (RMS-19), UL94-V0.
2. COLOR: NATURAL.
3. ACRYLIC ADHESIVE TAPE (RMS-15), WHITE LINER.
4. RUBBER ADHESIVE TAPE (RMS-102), BLUE LINER,  
AVAILABLE BY SPECIAL ORDER ONLY.  
TO ORDER USE P/N: AKKL-XXXXA1-RT OR AKKL-XXXXA1-RT-19

| REV. |  |       | TITLE: ADJUSTABLE KWIK KLIP |         |             |             | DWG IN IN [MM] |            | FINAL    |  |
|------|--|-------|-----------------------------|---------|-------------|-------------|----------------|------------|----------|--|
| N    | SEE ECN #952 FOR CHANGES                   | SK    | 02/25/05                    | FILE #: | AKKL        | DWN:        | SM             | APP:       | -        |  |
| M    | SEE ECN #939 FOR CHANGES                   | SK    | 02/10/05                    | SHEET:  | 1 OF 1      | SHEET SIZE: | A              | DT:        | 12/02/03 |  |
| L    | SEE ECN #847 FOR CHANGES                   | SM    | 09/10/04                    | RE:     | RICHCO INC. |             | RICHCO, INC.   |            | PART #   |  |
| K    | SEE ECN #750 FOR CHANGES                   | SM    | 01/27/04                    |         |             |             |                | SEE TABLE  |          |  |
| J    | SEE ECN #733 FOR CHANGES                   | SM    | 12/02/03                    |         |             |             |                | PRINT TYPE |          |  |
| -    | SEE ENGINEERING FOR REVISION HISTORY (A-I) | -     | -                           |         |             |             |                | CA         |          |  |
| REV. | DESCRIPTION                                | ENGR. | DATE                        |         |             |             |                |            |          |  |