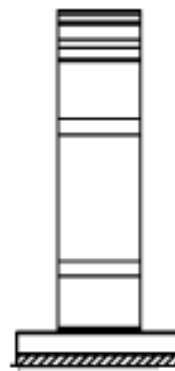
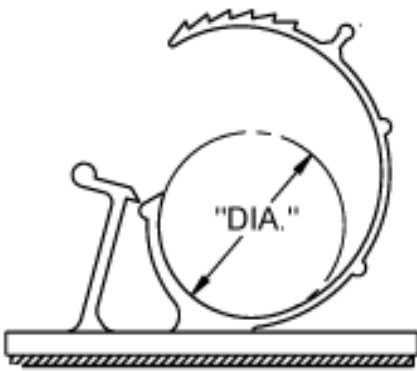


See "Part Drawing" for Details

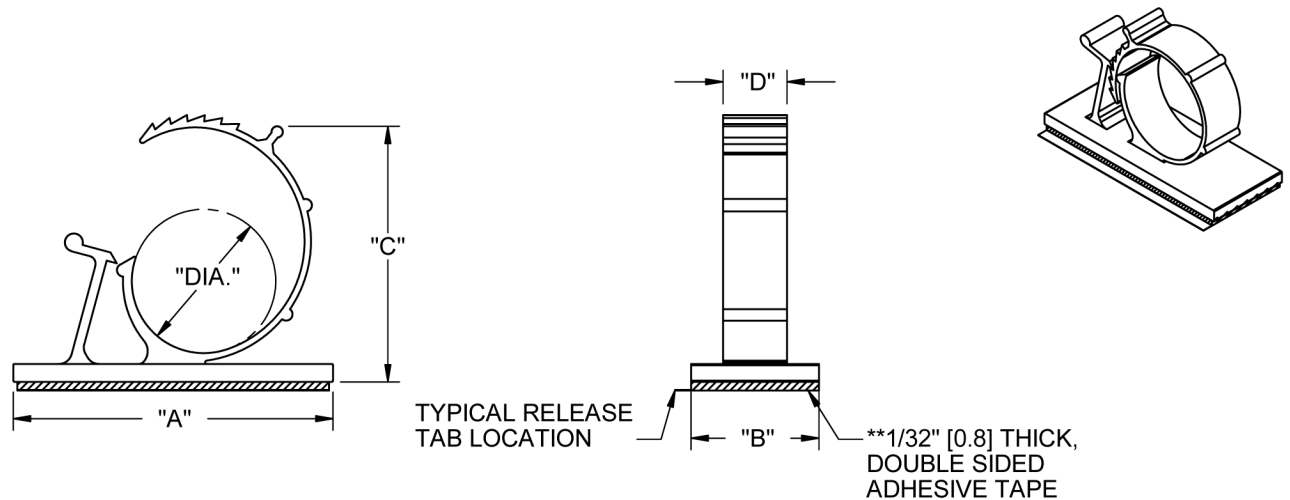


Part Number	Description
AKKL-3140A-RT	Clamp,Adj,Adh Mnt,Nat,.312"-.406" 

PART NUMBER				BUNDLE DIA. RANGE REF.	"A"±.015 [±0.4]	"B"±.015 [±0.4]	"C" REF.	"D"
NYLON W/O TAPE	NYLON W/ TAPE	V-0 NYLON W/O TAPE	V-0 NYLON W/ TAPE					
AKKL-2140-01	AKKL-2140A-RT	AKKL-2140-19	AKKL-2140A-RT-19	.215-.258 [5.5-6.5]	.85 [21.6]	.650 [16.5]	.708 [18.0]	.39 [10.0]
AKKL-3140-01	AKKL-3140A-RT	AKKL-3140-19	AKKL-3140A-RT-19	.312-.406 [7.9-10.3]	1.00 [25.4]	.750 [19.1]	.866 [22.2]	.40 [10.2]
AKKL-4756-01	AKKL-4756A-RT	AKKL-4756-19	AKKL-4756A-RT-19	.469-.562 [11.9-14.3]	1.25 [31.8]		1.09 [27.8]	
AKKL-5775-01	AKKL-5775A-RT	AKKL-5775-19	AKKL-5775A-RT-19	.578-.750 [14.7-19.1]	1.50 [38.1]		1.25 [31.8]	
AKKL-8710-01	AKKL-8710A-RT	AKKL-8710-19	AKKL-8710A-RT-19	.875-1.00 [22.2-25.4]	2.00 [50.8]	1.00 [25.4]	1.75 [44.5]	.50 [12.7]
AKKL-10112-01	**AKKL-10112A-RT	AKKL-10112-19	**AKKL-10112A-RT-19	1.00-1.25 [25.4-31.7]	2.5 [63.5]		2.00 [50.8]	

* AKKL-2140 AVAILABLE WITH RUBBER ADHESIVE TAPE (RMS-136) ONLY.

** AKKL-10112 AVAILABLE WITH 1/16 [1.6] THICK TAPE ONLY.



NOTES:

1. MATERIAL: NYLON 6/6 (RMS-01)
FLAME RETARDANT NYLON 6/6 (RMS-19), UL94-V0.
2. COLOR: NATURAL.
3. ACRYLIC ADHESIVE TAPE (RMS-15), WHITE LINER.
4. RUBBER ADHESIVE TAPE (RMS-102), BLUE LINER,
AVAILABLE BY SPECIAL ORDER ONLY.
TO ORDER USE P/N: AKKL-XXXXA1-RT OR AKKL-XXXXA1-RT-19

REV.			TITLE: ADJUSTABLE KWIK KLIP				DWG IN IN [MM]		FINAL	
N	SEE ECN #952 FOR CHANGES	SK	02/25/05	FILE #:	AKKL	DWN:	SM	APP:	-	
M	SEE ECN #939 FOR CHANGES	SK	02/10/05	SHEET:	1 OF 1	SHEET SIZE:	A	DT:	12/02/03	
L	SEE ECN #847 FOR CHANGES	SM	09/10/04	RE:	RICHCO INC.		RICHCO, INC.		PART #	
K	SEE ECN #750 FOR CHANGES	SM	01/27/04					SEE TABLE		
J	SEE ECN #733 FOR CHANGES	SM	12/02/03					PRINT TYPE		
-	SEE ENGINEERING FOR REVISION HISTORY (A-I)	-	-					CA		
REV.	DESCRIPTION	ENGR.	DATE							