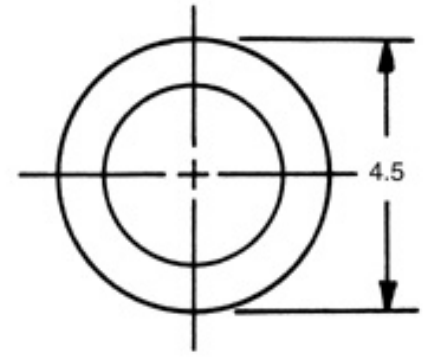
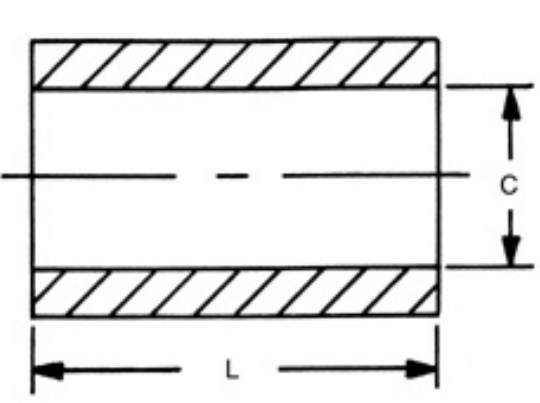


# 4.5mm ROUND SPACERS

RAF



RAF

Order Code:

>>>  
Contents

Finishes: [Quote](#) [\[How to create part numbers\]](#) [\[Material Specifications\]](#)

SELECT	PART NO.	LENGTH
<input type="checkbox"/>	M0500	1
<input type="checkbox"/>	M0501	2
<input type="checkbox"/>	M0502	3
<input type="checkbox"/>	M0503	4
<input type="checkbox"/>	M0504	5
<input type="checkbox"/>	M0505	6
<input type="checkbox"/>	M0506	7
<input type="checkbox"/>	M0507	8
<input type="checkbox"/>	M0508	9
<input type="checkbox"/>	M0509	10
<input type="checkbox"/>	M0510	11
<input type="checkbox"/>	M0511	12
<input type="checkbox"/>	M0512	13

SELECT	PART NO.	LENGTH
<input type="checkbox"/>	M0513	14
<input type="checkbox"/>	M0514	15
<input type="checkbox"/>	M0515	16
<input type="checkbox"/>	M0516	17
<input type="checkbox"/>	M0517	18
<input type="checkbox"/>	M0518	19
<input type="checkbox"/>	M0519	20
<input type="checkbox"/>	M0520	21
<input type="checkbox"/>	M0521	22
<input type="checkbox"/>	M0522	23
<input type="checkbox"/>	M0523	24
<input type="checkbox"/>	M0524	25

HOLE CLEARANCE CODE			
Select	CODE	HOLE +0.3 -0.0	THREAD
<input type="checkbox"/>	25	2.7	M2.5
<input type="checkbox"/>	3	3.2	M3

Select	CODE	MATERIAL	RoHS
<input type="checkbox"/>	A	ALUMINUM	NO
<input type="checkbox"/>	B	BRASS	YES
<input type="checkbox"/>	SS	STAINLESS STEEL	YES
<input type="checkbox"/>	S	STEEL	YES
<input type="checkbox"/>	N	NYLON	YES

Ordering Code			
mxxxx	xx	xx	xx
Clearance Hole		Finish	
Length		Material	

For non standard items  
please click here



© 1999 RAF Electronic Hardware All Rights Reserved  
Seymour CT 06483 203 888-2133 Fax: 203 888-9860 www.rafhdwe.com