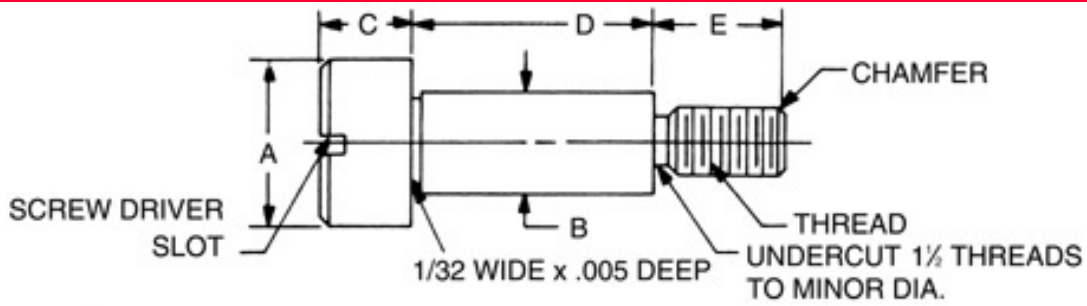


PRECISION SHOULDER SCREWS -- SLOTTED HEAD



RAF

RAF

Order Code:



Contents

Finishes:

Quote [How to create part numbers] [Material Specifications]

8-32 THREAD							
Select	PART NO.	THREAD	A +.004 -.004	B +.000 -.001	C +.010 -.010	D +.002 -.000	E +.005 -.005
	7019	8-32	5/16	.1870	5/32	.1250	3/16
	7020	8-32	5/16	.1870	5/32	.1875	3/16
	7021	8-32	5/16	.1870	5/32	.2500	3/16
	7022	8-32	5/16	.1870	5/32	.3125	3/16
	7023	8-32	5/16	.1870	5/32	.3750	3/16
	7024	8-32	5/16	.1870	5/32	.4375	3/16
	7025	8-32	5/16	.1870	5/32	.5000	3/16
	7026	8-32	5/16	.1870	5/32	.5625	3/16
	7027	8-32	5/16	.1870	5/32	.6250	3/16
	7028	8-32	5/16	.1870	5/32	.6875	3/16
	7029	8-32	5/16	.1870	5/32	.7500	3/16
	7030	8-32	5/16	.1870	5/32	.8750	3/16
	7031	8-32	5/16	.1870	5/32	1.000	3/16
	7032	8-32	5/16	.1870	5/32	1.250	3/16
	7033	8-32	5/16	.1870	5/32	1.375	3/16
	7034	8-32	5/16	.1870	5/32	1.500	3/16

Ordering Code		
xxx	x	x
	Material	
Size and Thread		Finish

Select	CODE	MATERIAL
	B	BRASS
	SS	STAINLESS STEEL
	S	STEEL

For non standard items
please click here



© 1999 RAF Electronic Hardware All Rights Reserved
Seymour CT 06483 203 888-2133 Fax: 203 888-9860 www.rafhdwe.com