

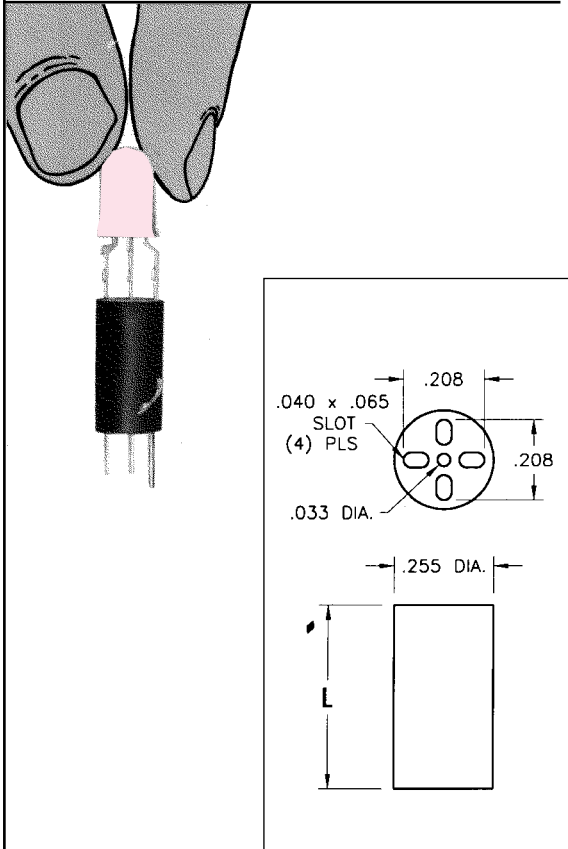
LED SPACER MOUNTS

Designers' Choice



"UNIVERSAL" FOR TRI-LEAD T-1 & T-1 3/4

- Unique design separates leads and retains Tri-Lead (and/or Bi-Lead) components
- Designed for PC board mounting of Tri-Lead (and/or Bi-Lead) T-1 and T-1^{3/4} LEDs
- Provides height control, lead retention and stability
- Also suitable for mounting lamps, resistors, transistors, diodes, capacitors, etc.



MATERIAL: Black PVC, UL Rated 94V-0

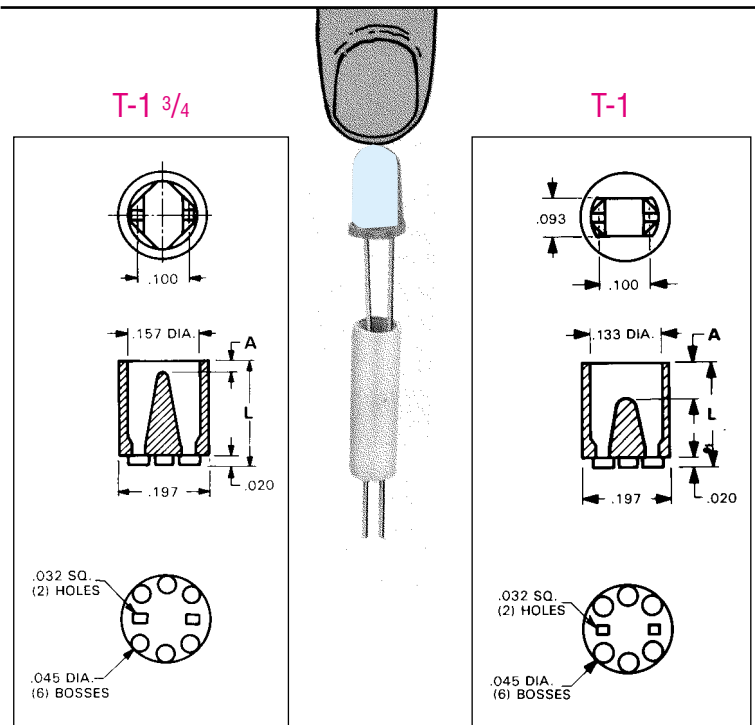
T-1 ^{3/4} and T-1			
CAT. NO.	LENGTH "L"	CAT. NO.	LENGTH "L"
8900	.120	8916	.400
8901	.140	8917	.420
8902	.160	8918	.440
8903	.180	8919	.450
8904	.200	8920	.460
8905	.220	8921	.480
8906	.240	8922	.500
8907	.250	8923	.550
8908	.260	8924	.600
8909	.280	8925	.650
8910	.300	8926	.700
8911	.320	8927	.750
8912	.340	8928	.800
8913	.350	8929	.850
8914	.360	8930	.900
8915	.380	8931	.925

"SELF-ALIGNING" FOR BI-LEAD T-1 & T-1 3/4

- These unique, new self-aligning Bi-Lead LED mounting spacers, for T-1 and T-1^{3/4} LEDs, reduce labor costs by simplifying preassembly to the printed circuit board
- The spacer features an internally tapered barrier which guides the leads and eliminates the possibility of crimping or shorting. The internal configuration also assures positive self-alignment on .100 centers
- The bosses serve the dual purpose of heat dissipation and easy post soldering cleanup
- Available in a range of lengths from .120 to .925 long. Molded from 6/6 nylon, UL Rated 94V-2

Key Features...

- Internal design eliminates crimping or shorting of leads
- Positive self-alignment of leads on .100 centers
- Cost and labor saving
- No special tools required



MATERIAL: Natural Nylon, UL Rated 94V-2

T-1 ^{3/4}		T-1		T-1 ^{3/4}		T-1	
CAT. NO.	CAT. NO.	LENGTH "L"	"A" REF.	CAT. NO.	CAT. NO.	LENGTH "L"	"A" REF.
8311	7351	.120	.045	8327	7367	.400	.075
8312	7352	.140	.065	8328	7368	.420	.095
8313	7353	.160	.085	8329	7369	.440	.115
8314	7354	.180	.105	8330	7370	.450	.120
8315	7355	.200	.125	8331	7371	.460	.135
8316	7356	.220	.145	8332	7372	.480	.145
8317	7357	.240	.045	8333	7373	.500	.055
8318	7358	.250	.060	8334	7374	.550	.095
8319	7359	.260	.065	8335	7375	.600	.150
8320	7360	.280	.090	8336	7376	.650	.075
8321	7361	.300	.110	8337	7377	.700	.120
8322	7362	.320	.120	8338	7378	.750	.055
8323	7363	.340	.140	8339	7379	.800	.110
8324	7364	.350	.150	8340	7380	.850	.160
8325	7365	.360	.160	8341	7381	.900	.200
8326	7366	.380	.060	8342	7382	.925	.230

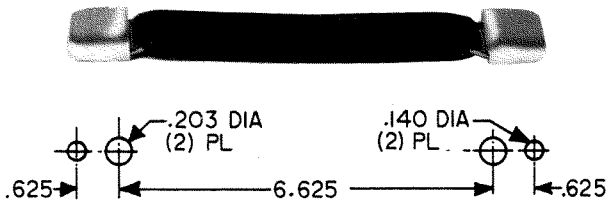


Designers' Choice

HANDLES

CARRYING HANDLES

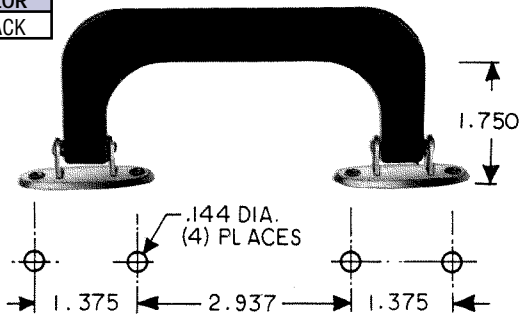
Spring glide handle, manufactured of black leather like material with chrome plated steel hardware. Handle lies flat on case when not in use. Will not rattle under vibration. Maximum extended height at center line, 1 1/4 inches. Mounts with #10-32 screws (not supplied).



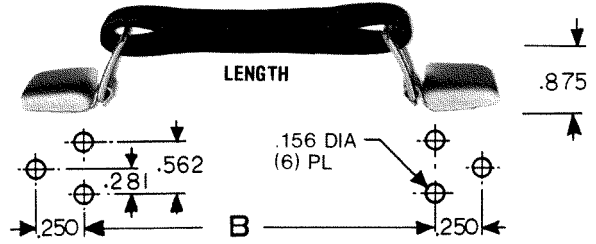
CAT. NO. 8350

Molded of polypropylene with a leather gran look. Folds flat on case when not in use. Mounts with rivets of #6 screws (not supplied)

CAT. NO.	COLOR
8356	BLACK

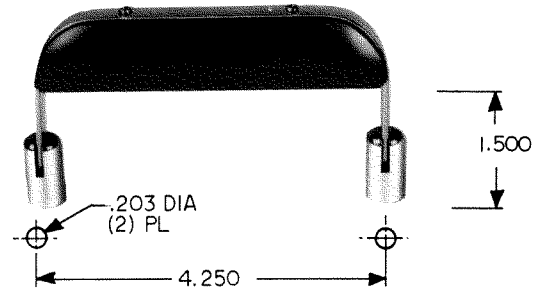


The retracto link handle manufactured of black leather like material with nickel plated steel hardware. It is internally constructed of rubber impregnated cellulose wound over a spring steel core. Handle folds flat on case when not in use. Mounts with #6 size screws.



CAT. NO.	LENGTH	"B"
8351	4-1/2	5-3/4
8351	5-1/2	6-5/8
8353	6-3/4	7-7/8

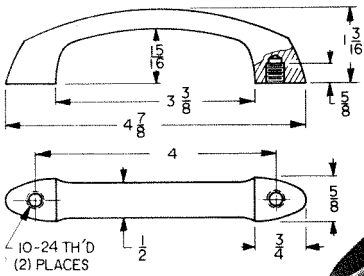
Molded of high impact styrene with steel nickel plated hardware. Folds flat on case when not in use. Mounts with #10-32 screws (not supplied)



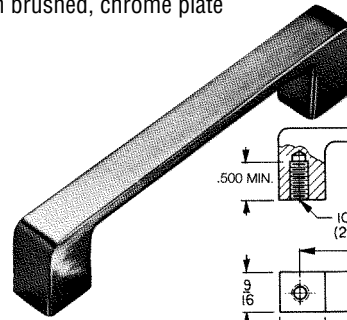
CAT. NO.	COLOR
8354	BLACK
8355	GRAY

CONTEMPORARY HANDLES

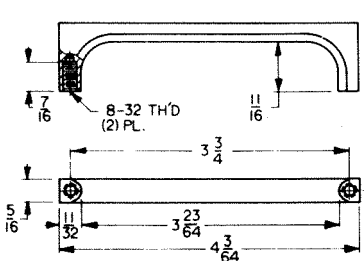
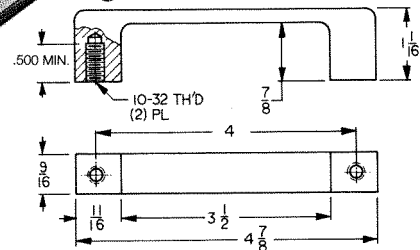
MATERIALS: Zinc; Finish: Satin brushed, chrome plate



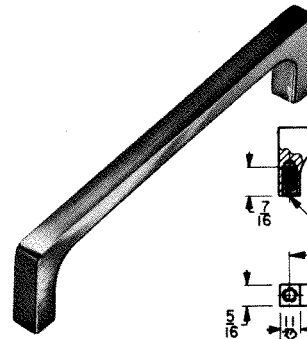
CAT. NO. 7197



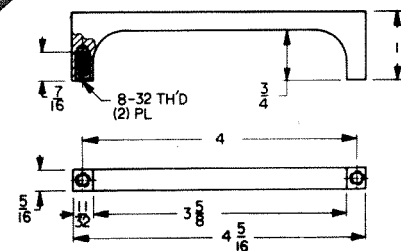
CAT. NO. 7196



CAT. NO. 7199



CAT. NO. 7198



PANEL HARDWARE

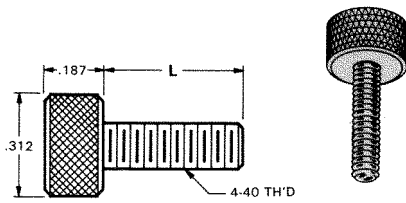
Designers' Choice



MATERIAL: Stainless Steel per ASTM-A581/A582

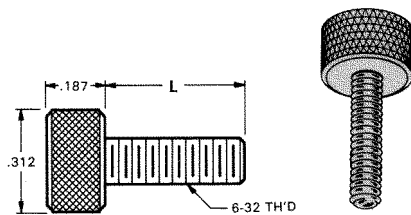
THUMB SCREWS

4-40



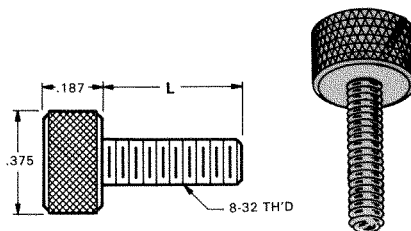
CAT. NO.	LENGTH
2400	.312
2401	.375
2402	.437
2403	.500

6-32



CAT. NO.	LENGTH
2404	.312
2405	.375
2406	.437
2407	.500

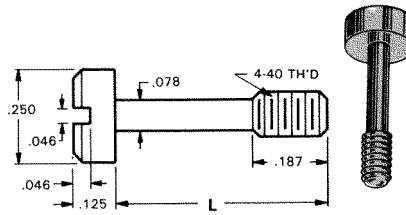
8-32



CAT. NO.	LENGTH
2408	.375
2409	.437
2410	.500
2411	.562
2412	.625

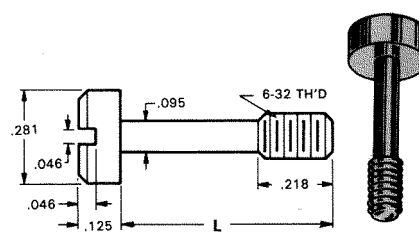
CAPTIVE SCREWS

4-40



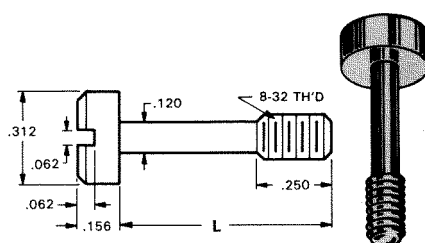
CAT. NO.	LENGTH
2413	.469
2414	.531

6-32



CAT. NO.	LENGTH
2415	.531
2416	.593
2417	.656

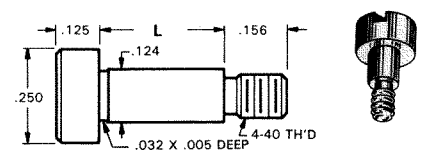
8-32



CAT. NO.	LENGTH
2418	.656
2419	.718
2420	.781

SHOULDER SCREWS

4-40

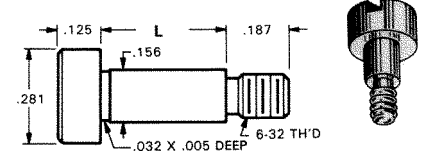


SLOTTED

SOCKET

CAT. NO.	LENGTH	CAT. NO.
2421	.125	2441
2422	.250	2442
2423	.375	2443
2424	.500	2444

6-32

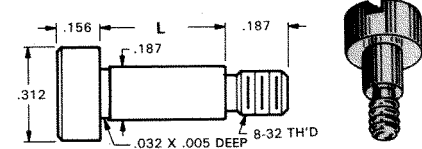


SLOTTED

SOCKET

CAT. NO.	LENGTH	CAT. NO.
2425	.125	2445
2426	.250	2446
2427	.375	2447
2428	.500	2448
2429	.625	2449
2430	.750	2450

8-32



SLOTTED

SOCKET

CAT. NO.	LENGTH	CAT. NO.
2431	.125	2451
2432	.250	2452
2433	.375	2453
2434	.500	2454
2435	.625	2455
2436	.750	2456
2437	1.000	2457