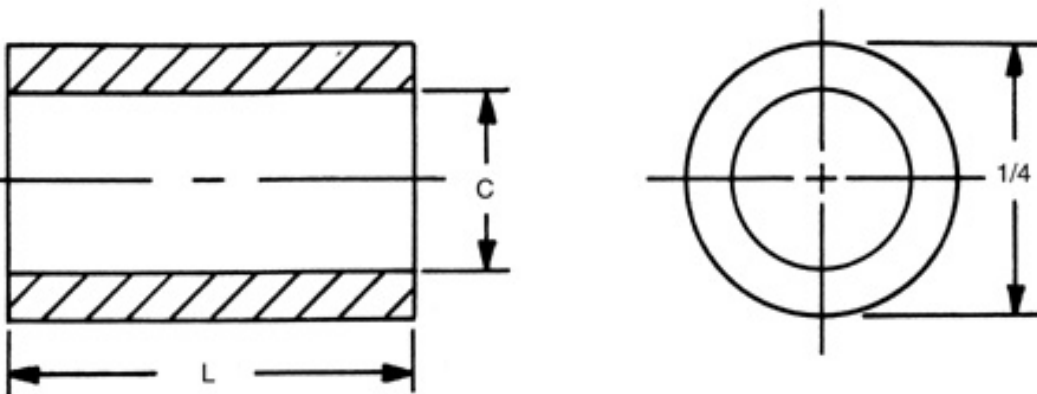


# 1/4 ROUND SPACERS



Order Code:



**Contents**

Finishes:

Quote
[\[How to create part numbers\]](#)
[\[Material Specifications\]](#)

SELECT	PART NO.	LENGTH
<input type="checkbox"/>	1122A	3/32
<input type="checkbox"/>	1122	1/8
<input type="checkbox"/>	1122T	5/32
<input type="checkbox"/>	1123	3/16
<input type="checkbox"/>	1123T	7/32
<input type="checkbox"/>	1124	1/4
<input type="checkbox"/>	1124T	9/32
<input type="checkbox"/>	1125	5/16
<input type="checkbox"/>	1125T	11/32
<input type="checkbox"/>	1126	3/8
<input type="checkbox"/>	1126T	13/32
<input type="checkbox"/>	1127	7/16
<input type="checkbox"/>	1127T	15/32
<input type="checkbox"/>	1128	1/2
<input type="checkbox"/>	1128T	17/32

Select	PART NO.	LENGTH
<input type="checkbox"/>	1129	9/16
<input type="checkbox"/>	1129T	19/32
<input type="checkbox"/>	1130	5/8
<input type="checkbox"/>	1130T	21/32
<input type="checkbox"/>	1131	11/16
<input type="checkbox"/>	1131T	23/32
<input type="checkbox"/>	1132	3/4
<input type="checkbox"/>	1132T	25/32
<input type="checkbox"/>	1133	13/16
<input type="checkbox"/>	1133T	27/32
<input type="checkbox"/>	1134	7/8
<input type="checkbox"/>	1134T	29/32
<input type="checkbox"/>	1135	15/16
<input type="checkbox"/>	1135T	31/32
<input type="checkbox"/>	1136	1

SELECT	PART NO.	LENGTH
<input type="checkbox"/>	1137	1-1/16
<input type="checkbox"/>	1138	1-1/8
<input type="checkbox"/>	1139	1-3/16
<input type="checkbox"/>	1140	1-1/4
<input type="checkbox"/>	1141	1-5/16
<input type="checkbox"/>	1142	1-3/8
<input type="checkbox"/>	1143	1-7/16
<input type="checkbox"/>	1144	1-1/2
<input type="checkbox"/>	1145	1-9/16
<input type="checkbox"/>	1146	1-5/8
<input type="checkbox"/>	1147	1-11/16
<input type="checkbox"/>	1148	1-3/4
<input type="checkbox"/>	1149	1-13/16
<input type="checkbox"/>	1150	1-7/8
<input type="checkbox"/>	1151	1-15/16
<input type="checkbox"/>	1152	2

HOLE CLEARANCE CODE		
Select	CODE	+ .010 - .000
<input type="checkbox"/>	2	.090
<input type="checkbox"/>	4	.115
<input type="checkbox"/>	6	.140
<input type="checkbox"/>	8	.166

Select	CODE	MATERIAL
<input type="checkbox"/>	A	ALUMINUM
<input type="checkbox"/>	B	BRASS
<input type="checkbox"/>	SS	STAINLESS STEEL
<input type="checkbox"/>	S	STEEL
<input type="checkbox"/>	N	NYLON
<input type="checkbox"/>	PH	PHENOLIC

Ordering Code			
xxxx	x	x	x
	Clearance Hole		Finish
Length	Material		



© 1999 RAF Electronic Hardware All Rights Reserved

Seymour CT 06483 203 888-2133 Fax: 203 888-9860 www.rafhdwe.com