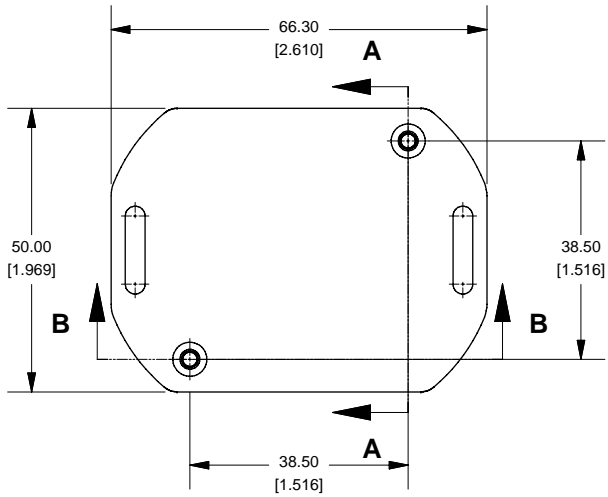
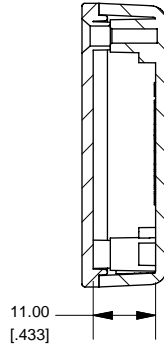


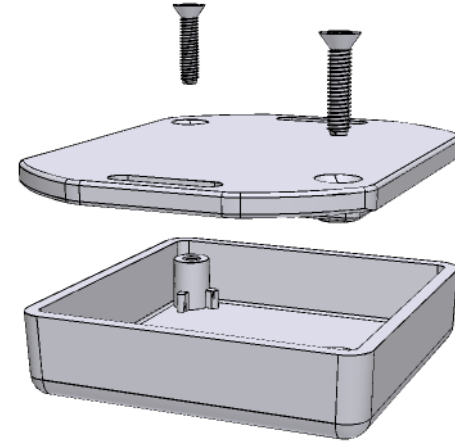
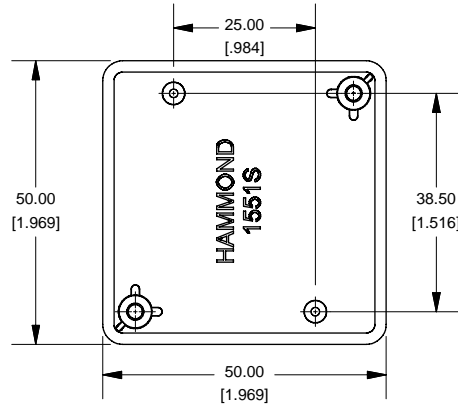
Top View of Assembly



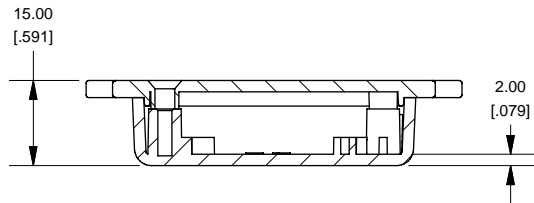
SECTION A-A End View of Assembly



Top View Looking Inside Box



SECTION B-B Side View of Assembly

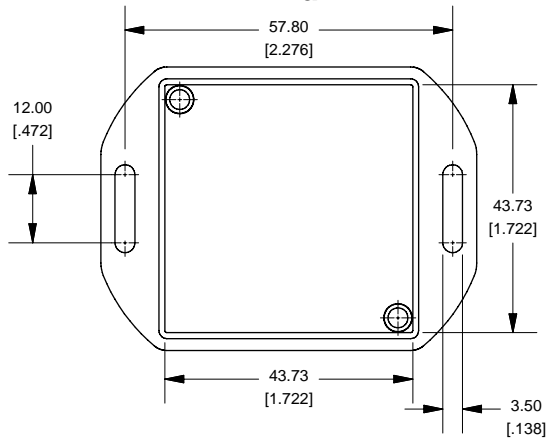


1551SFL (Flanged Lid)

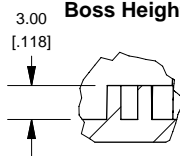
NOTE
Purchased assembly includes lid and box made from GP ABS material and cover screws.

1551SFL	
1551SFL Flange Enclosure	
Black Enclosure - RAL 7001 - UL94 - HB	1551SFLHBK
Gray Enclosure - RAL 7035 - UL94 - HB	1551SFLFGY
ACCESSORIES	
Black Enclosure Cover Screws (Pkg 100) [#4 X 1/2" Self Tapping]	1591TS100BK
Grey Enclosure Cover Screws (Pkg 100) [#4 X 1/2" Self Tapping]	1591TS100
P.C. Board Screws (Pkg 100) [32 x 3/16" Self Tapping]	1551ATS100

Lid



SECTION C-C Boss Heights



Maximum P.C. Board Size

