

Need help selecting the right enclosure?

[START HERE...](#)

TX Select Series



[Click to enlarge](#)

[Download this page in PDF format.](#)

[Download detailed engineering drawings in PDF format.](#)



[VIEW CART](#)

Features

Surface: Textured finish

Material: Flame retardant ABS plastic

Flame Rating: UL94V-0 (TS-3420 rated UL94-5VA)

PC Board Mounting: Cover has 2 optional PC board mounting bosses. TS-3420 has 4 mounting bosses in cover

Mounting Flanges: This plastic case is available with or without mounting flanges.

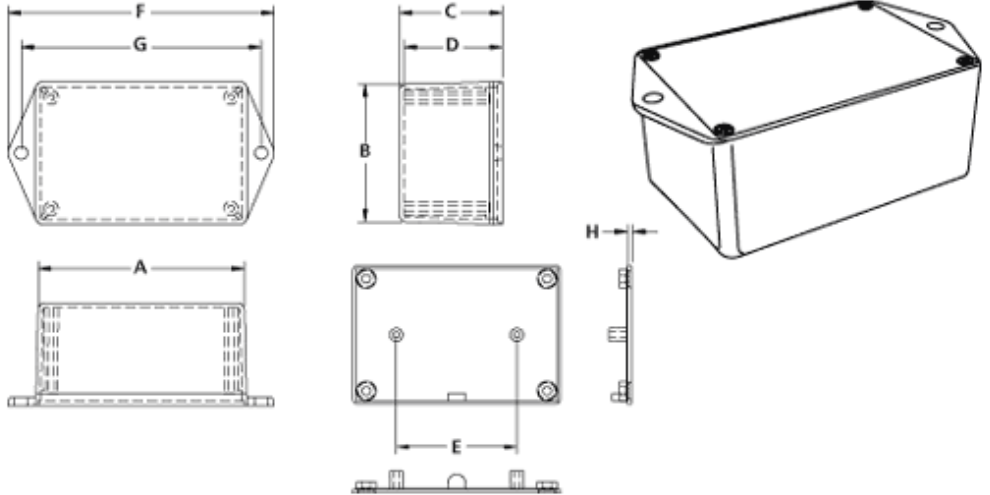
Closure: Screw-on

Cover: Flush mounted cover.

TS-2420 & TS-3420 have an optional recessed, smooth area for graphic overlays or membrane keypads.

TS-2420 & TS-3420 have insert mold capabilities that allow your plastic case to have custom molding without expensive tooling.

Engineering Drawing



Plastic Electronic Enclosures

TX SELECT SERIES

| Catalog Number | Length | Width | Height | Inside Depth w/o Cover | PCB Bosses | PCB Boss Height | Mtg. Flange Length | Mtg. Flange Holes | Cover Thickness | | | |
|----------------|--------|-------|--------|------------------------|---------------|-----------------|--------------------|-------------------|-----------------|---------------------|-----------------------|-----------------------------|
| | A | B | C | D | E | | F | G | H | | | |
| TS-1741P | 4.000 | 1.750 | 1.000 | 0.930 | 3.000 | 0.250 | | | 0.075 | PDF | PRICE | ADD TO CART |
| TS-1741F | 4.000 | 1.750 | 1.000 | 0.930 | 3.000 | 0.250 | 4.875 | 4.500 | 0.075 | PDF | PRICE | ADD TO CART |
| TS-2309P | 3.030 | 2.030 | 0.900 | 0.825 | 1.750 | 0.250 | | | 0.075 | PDF | PRICE | ADD TO CART |
| TS-2309F | 3.030 | 2.030 | 0.900 | 0.825 | 1.750 | 0.250 | 3.860 | 3.490 | 0.075 | PDF | PRICE | ADD TO CART |
| TS-2315P | 3.000 | 2.000 | 1.500 | 1.425 | 1.750 | 0.250 | | | 0.075 | PDF | PRICE | ADD TO CART |
| TS-2315F | 3.000 | 2.000 | 1.500 | 1.425 | 1.750 | 0.250 | 3.875 | 3.500 | 0.075 | PDF | PRICE | ADD TO CART |
| TS-2409P | 4.060 | 2.190 | 0.900 | 0.830 | 3.000 | 0.250 | | | 0.090 | PDF | PRICE | ADD TO CART |
| TS-2409F | 4.060 | 2.190 | 0.900 | 0.830 | 3.000 | 0.250 | 4.875 | 4.500 | 0.090 | PDF | PRICE | ADD TO CART |
| TS-2420P | 4.000 | 2.125 | 2.000 | 1.900 | 3.000 | 0.250 | | | 0.090 | PDF | PRICE | ADD TO CART |
| TS-2420F | 4.000 | 2.125 | 2.000 | 1.900 | 3.000 | 0.250 | 4.875 | 4.500 | 0.090 | PDF | PRICE | ADD TO CART |
| TS-3315P | 3.000 | 3.000 | 1.500 | 1.425 | 1.750 | 0.250 | | | 0.075 | PDF | PRICE | ADD TO CART |
| TS-3315F | 3.000 | 3.000 | 1.500 | 1.425 | 1.750 | 0.250 | 3.875 | 3.500 | 0.075 | PDF | PRICE | ADD TO CART |
| TS-3420P | 4.375 | 3.125 | 2.000 | 1.900 | 3.300 X 2.050 | 0.250 | | | 0.100 | PDF | PRICE | ADD TO CART |

| | | | | | | | | | | | | |
|----------|-------|-------|-------|-------|---------------|-------|-------|---------------|-------|---------------------|-----------------------|-----------------------------|
| TS-3420F | 4.375 | 3.125 | 2.000 | 1.900 | 3.300 X 2.050 | 0.250 | 5.500 | 5.000 X 1.750 | 0.100 | PDF | PRICE | ADD TO CART |
|----------|-------|-------|-------|-------|---------------|-------|-------|---------------|-------|---------------------|-----------------------|-----------------------------|

Dimensions are nominal and in inches

Mounting boss screws are available for purchase (4-24 x 1/4 inch thread forming screw)

Enclosure includes case, cover and screws for enclosure assembly

Designed by [Saremo, Inc.](#)