

TX Select Series

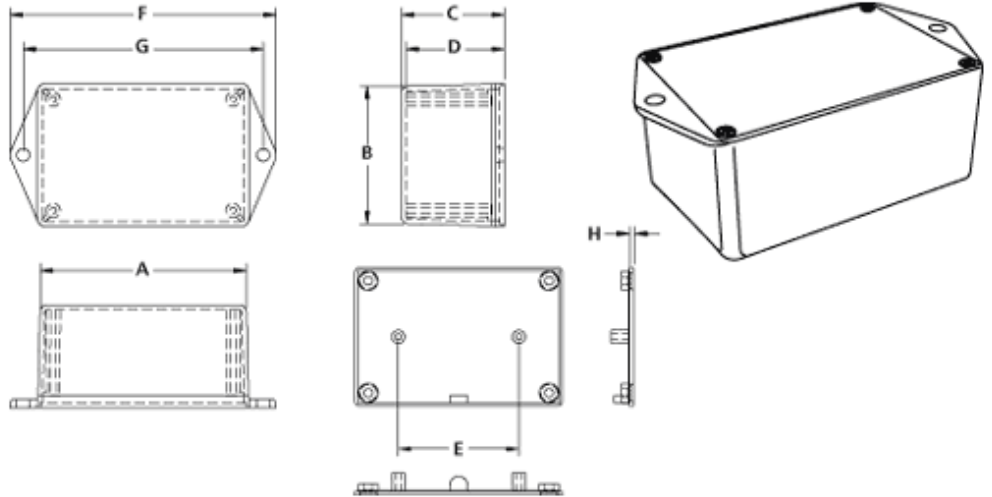


[Click to enlarge](#)

Features

- Surface:** Textured finish
- Material:** Flame retardant ABS plastic
- Flame Rating:** UL94V-0 (TS-3420 rated UL94-5VA)
- PC Board Mounting:** Cover has 2 optional PC board mounting bosses. TS-3420 has 4 mounting bosses in cover
- Mounting Flanges:** This plastic case is available with or without mounting flanges.
- Closure:** Screw-on
- Cover:** Flush mounted cover.
- TS-2420 & TS-3420** have an optional recessed, smooth area for graphic overlays or membrane keypads.
- TS-2420 & TS-3420** have insert mold capabilities that allow your plastic case to have custom molding without expensive tooling.

Engineering Drawing



Plastic Electronic Enclosures

TX SELECT SERIES

Catalog Number	Length	Width	Height	Inside Depth w/o Cover	PCB Bosses	PCB Boss Height	Mtg. Flange Length	Mtg. Flange Holes	Cover Thickness
	A	B	C	D	E		F	G	H
TS-1741P	4.000	1.750	1.000	0.930	3.000	0.250			0.075
TS-1741F	4.000	1.750	1.000	0.930	3.000	0.250	4.875	4.500	0.075
TS-2309P	3.030	2.030	0.900	0.825	1.750	0.250			0.075
TS-2309F	3.030	2.030	0.900	0.825	1.750	0.250	3.860	3.490	0.075
TS-2315P	3.000	2.000	1.500	1.425	1.750	0.250			0.075
TS-2315F	3.000	2.000	1.500	1.425	1.750	0.250	3.875	3.500	0.075
TS-2409P	4.060	2.190	0.900	0.830	3.000	0.250			0.090
TS-2409F	4.060	2.190	0.900	0.830	3.000	0.250	4.875	4.500	0.090
TS-2420P	4.000	2.125	2.000	1.900	3.000	0.250			0.090
TS-2420F	4.000	2.125	2.000	1.900	3.000	0.250	4.875	4.500	0.090
TS-3315P	3.000	3.000	1.500	1.425	1.750	0.250			0.075
TS-3315F	3.000	3.000	1.500	1.425	1.750	0.250	3.875	3.500	0.075

TS-3420P	4.375	3.125	2.000	1.900	3.300 X 2.050	0.250			0.100
TS-3420F	4.375	3.125	2.000	1.900	3.300 X 2.050	0.250	5.500	5.000 X 1.750	0.100

Dimensions are nominal and in inches

Mounting boss screws are available for purchase (4-24 x 1/4 inch thread forming screw)

Enclosure includes case, cover and screws for enclosure assembly

Designed by [Saremo, Inc.](#)